



# MEXICO HE.

15 18 24 30 36

## HIGH EFFICIENCY OPEN VENT BOILERS

Promising years of seamless performance and superb efficiency, our comprehensive range of open vent boilers are ideal if you need a direct floor standing boiler replacement or a larger output.

Our SEDBUK band 'A' rated appliances, offer the benefits of a compact design and flexible siting, plus the peace of mind that comes with minimal maintenance and low running costs.

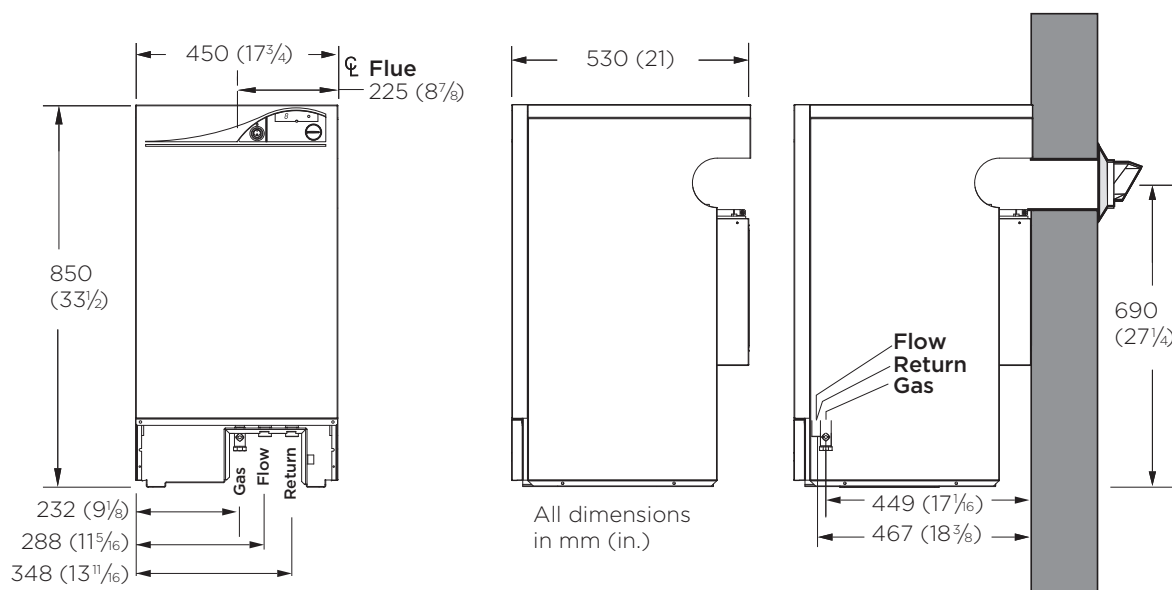


### MEXICO HE

- SEDBUK band 'A' fuel efficiency rating to lower emissions and reduce heating bills
- 2 year parts and labour warranty to ensure complete peace of mind
- Compact floor-standing design ideal for replacement situations
- User friendly status display featuring temperature control and diagnostics for rapid servicing, plus optional remote user kit



# CLEARANCES & DIMENSIONS.



Flue plumbing is a by-product of efficiency. Please be aware of terminal positions to avoid complaints. For full technical details please refer to the Installation and Servicing Instructions provided with the product. The flue duct must be inclined at a minimum of 1.5 degrees to the horizontal to allow the condensate to be properly drained if using flue extensions.

**Note:** Lengths are measured from the flue elbow centre line. This position is as follows:

Rear Outlet: 75mm from rear jacket to flue centre line. Side Outlet: 225mm from boiler side panel to flue centre line.

## FLUE LENGTHS.

	MEX 15	MEX 18	MEX 24	MEX 30	MEX 36
Max horizontal		6m		3m	
Max vertical		7.5m		5m	
Powered vertical		22m		n/a	

### Available Kits High Level Flue Outlet Kit

**Note:** Each 90° elbow used is at the expense of 1500mm of straight flue run, and each 45° elbow is used at the expense of 1000mm of straight flue run. The Flue Deflector Kit is used at the expense of 1000mm of straight flue run.

## TECHNICAL SPECIFICATIONS.

	MEX 15	MEX 18	MEX 24	MEX 30	MEX 36
Height mm			850		
Width mm			450		
Depth mm			530		
Weight (packaged) kg	54	54	54	69	69
Max installation weight kg	47	47	47	67	67
CH output (kW) min/max @ 70°C	8.8 - 14.6	8.8 - 18.2	8.8 - 23.4	10.6 - 30.1	10.6 - 37.0
CH output (kW) min/max @ 40°C	9.6 - 15.5	9.6 - 19.2	9.6 - 25.1	11.4 - 32.8	11.4 - 39.8
DHW output (kW) max			n/a		
DHW flow rate l/min. 35°C rise			n/a		
SEDBUK rating (2005) %	90.4	90.3	90.2	90.4	90.7
SEDBUK rating (2009) %	89.7	89.4	88.8	88.9	89.0
NOx classification			CLASS 5		
Adjustable to LPG	No	No	No	No	No