



INSTALLATION & SERVICING

LOGIC HEAT²
H12 IE H15 IE H18 IE H24 IE H30 IE


When replacing any part on this appliance, use only spare parts that you can be assured conform to the safety and performance specification that we require. Do not use reconditioned or copy parts that have not been clearly authorised by Ideal Heating.

For the very latest copy of literature for specification and maintenance practices visit our website idealheating.com where you can download the relevant information in PDF format.



ERP DATA

	SYMBOL	UNITS	MODEL				
			12	15	18	24	30
Condensing Boiler	n/a	n/a	yes	yes	yes	yes	yes
Low Temperature Boiler	n/a	n/a	no	no	no	no	no
B1 Boiler	n/a	n/a	no	no	no	no	no
Cogeneration Space Heater	n/a	n/a	no	no	no	no	no
Equipped with a Supplementary Heater	n/a	n/a	no	no	no	no	no
Combination Heater	n/a	n/a	no	no	no	no	no
Nominal Heat Output for Space Heating							
Full Load	P4	kW	12.1	15.1	18.1	24.3	30.3
Part Load	P1	kW	3.9	4.9	5.8	7.8	9.8
Auxiliary Electricity Consumption							
Full Load	elmax	kW	0.016	0.022	0.025	0.046	0.050
Part Load	elmin	kW	0.011	0.017	0.004	0.013	0.012
Standby	PSB	kW	0.002	0.003	0.002	0.002	0.002
Seasonal Space Heating Energy Efficiency							
Full Load	η_4	%	90.0	90.0	89.8	90.0	89.6
Part Load	η_1	%	97.9	97.8	98.5	98.6	98.2
Standby Loss	Pstby	kW	0.05	0.05	0.05	0.05	0.05
Ignition	Pign	kW	0	0	0	0	0
Emissions							
NOx (Gross)	NOx, pond Hs	mg/kWh	10	21	24	28	24
Annual Energy Consumption	QHE	GJ	38	47	55	75	93
Sound Power Level, Indoors	LWA	dB	36	42	44	50	50



WEEE DIRECTIVE 2012/19/EU
Waste Electrical and Electronic Equipment Directive

- At the end of the product life, dispose of the packaging and product in a corresponding recycle centre.
- Do not dispose of the unit with the usual domestic refuse.
- Do not burn the product.
- Remove the batteries.
- Dispose of the batteries according to the local statutory requirements and not with the usual domestic refuse.



The code of practice for the installation, commissioning & servicing of central heating systems



PRODUCT FICHE

LOGIC HEAT² H IE BOILER Ideal Heating ERP DATA

	SYMBOL	UNITS	MODEL				
			12	15	18	24	30
Condensing boiler			Yes				
Seasonal space heating efficiency class			A				
Rated heat output		kW	12	15	18	24	30
Seasonal space heating energy efficiency	η_s	%	93	93	93	94	93
Annual energy consumption	Q_{HE}	GJ	38	47	55	75	93
Sound power level, indoors	LWA	dB	36	42	44	50	50

Seasonal Space Heating Energy Efficiency of the Boiler								94% ^{+%}	A
Temperature control (from fiche of temperature control)								%	B
<i>Class I</i>	<i>Class II</i>	<i>Class III</i>	<i>Class IV</i>	<i>Class V</i>	<i>Class VI</i>	<i>Class VII</i>	<i>Class VIII</i>		
1%	2%	1.5%	2%	3%	4%	3.5%	5%		

Solar Contribution (from fiche of solar device)

Collector Size
(in m²)

Tank Volume
(in m³)

Collector Efficiency
(in %)

Tank rating
A* = 0.95
A = 0.91
B = 0.86
C = 0.83
D-G = 0.81

= ('III' x + 'IV' x) x 0.9 x (/ 100 x) = % **C**

Seasonal Space Heating Energy Efficiency of Package

TOTAL: A+B+C=

%

Seasonal Space Heating Energy Efficiency Class of Package

<input style="width: 30px; height: 30px;" type="checkbox"/>	<input style="width: 30px; height: 30px;" type="checkbox"/>	<input style="width: 30px; height: 30px;" type="checkbox"/>	<input style="width: 30px; height: 30px;" type="checkbox"/>	<input style="width: 30px; height: 30px;" type="checkbox"/>	<input style="width: 30px; height: 30px;" type="checkbox"/>	<input style="width: 30px; height: 30px;" type="checkbox"/>	<input style="width: 30px; height: 30px;" type="checkbox"/>	<input style="width: 30px; height: 30px;" type="checkbox"/>	<input style="width: 30px; height: 30px;" type="checkbox"/>
G	F	E	D	C	B	A	A+	A++	A+++
< 30%	≥ 30%	≥ 34%	≥ 36%	≥ 75%	≥ 82%	≥ 90%	≥ 98%	≥ 125%	≥ 150%

The energy efficiency of the package of products provided for in this document may not correspond to its actual energy efficiency once installed in a building, as the efficiency is influenced by further factors such as heat loss in the products in relation to the building size and its characteristics

NOTES FOR THE INSTALLER

For any technical queries please ring the Ideal helpline : 00353 (0)1 961 770

BOILER RESTART PROCEDURE -

Press the RESTART button. The boiler will repeat the ignition sequence if a heat demand is present.

DEFINITIONS



WARNING: Risk of injury or death



CAUTION: Risk of damage to objects



IMPORTANT: Important information

Table of Acronyms

CH - Central Heating

DHW - Domestic Hot Water

TRV - Thermostatic Radiator Valve

PRV - Pressure Relief Valve

IE - Ireland

ETCI - Electro-Technical Council of Ireland

BS - British Standard

WRAS - Water Regulations Advisory Scheme

SAP - Standard Assessment Procedure

IET - Institution of Engineering and Technology

UKCA - UK Conformity Assessed

RHS - Right Hand Side

LHS - Left Hand Side

PCB - Printed Circuit Board

CONTENTS

<p>Section 1 - General 6</p> <p>1.1 Introduction 8</p> <p>1.2 Operation 8</p> <p>1.3 Safe Handling 8</p> <p>1.4 Optional Accessories 8</p> <p>1.5 Safety 8</p> <p>1.6 Safe Handling of Substances 9</p> <p>1.7 Location of Boiler 9</p> <p>1.8 Carbon Monoxide Alarms 10</p> <p>1.9 Air Supply 10</p> <p>1.10 Gas Supply 10</p> <p>1.11 Water Circulation System 10</p> <p>1.12 Boiler Controls 10</p> <p>1.13 Electrical Supply 11</p> <p>1.14 Condensate Drain 11</p> <p>1.15 Boiler Dimensions, Services & Clearances 12</p> <p>1.16 Open Vent System Requirements 13</p> <p>1.17 Schematic Pipework and System Balancing 13</p> <p>1.18 Low Head and Large Systems with Extensive Pipe Runs - Open Vent 14</p> <p>1.19 Sealed System Requirements 14</p> <p>1.20 Sealed System Requirements - Continued 15</p> <p>1.21 System Balancing 16</p> <p>1.22 Water Treatment 16</p> <p>Section 2 - Installation 17</p> <p>2.1 Boiler Assembly - Exploded View 17</p> <p>2.2 Unpacking 18</p> <p>2.3 Wall Mounting Template 19</p> <p>2.4 Preparing the Wall 19</p> <p>2.5 Fitting the Wall Mounting Plate 19</p> <p>2.6 Mounting the Boiler 19</p> <p>2.7 Flues and Locations 20</p> <p>2.8 Flues and Locations - Cont 21</p> <p>2.9 Horizontal Flue Positions 22</p> <p>2.10 Vertical Flue Positions 22</p> <p>2.11 Flue System Dimensions 23</p> <p>2.12 Fitting the Turret 23</p> <p>2.13 Cutting the Flue 24</p> <p>2.14 Assembling the Vertical Flue 25</p> <p>2.15 Rear Flue Outlet Kit (55/80) Assembly - Exploded View 26</p> <p>2.16 Terminal Wall Seal Assembly / Positioning 26</p> <p>2.17 Setting the rear flue length - Wall Thickness of 115 mm to 442 mm 26</p> <p>2.18 Fitting the Wall Plate / Rear Flue Terminal Assembly 27</p> <p>2.19 Mounting the Boiler - Rear Flue Outlet Kit (55/80) 27</p> <p>2.20 Condensate Drain 28</p> <p>2.21 Condensate Drain - Continued 29</p> <p>2.22 Connections 30</p> <p>2.23 Electrical Connections 30</p> <p>2.24 Installer Wiring 30</p> <p>2.25 Installer Wiring - Continued 31</p> <p>2.26 Installer Wiring - Continued 32</p>	<p>2.27 Installer Wiring - Continued 33</p> <p>2.28 Pump Overrun - Install 34</p> <p>2.29 Electrical Controls 34</p> <p>2.30 Wiring Diagram 35</p> <p>2.31 Commissioning and Testing 36</p> <p>2.32 Initial Lighting 37</p> <p>2.33 The Display 38</p> <p>2.34 General Checks 38</p> <p>2.35 General Checks Continued - Water Circulation 39</p> <p>2.36 Restart Procedure 39</p> <p>2.37 Accessing the Installer Mode 40</p> <p>2.38 Handing Over 40</p> <p>Section 3 - Servicing 41</p> <p>3.1 Servicing Schedule 41</p> <p>3.2 Removal / Replacement of Components 42</p> <p>3.3 Draining the Boiler 42</p> <p>3.4 Boiler Front Panel Removal / Replacement 43</p> <p>3.5 Flue Manifold Removal/Replacement 43</p> <p>3.6 Fan and Venturi Assembly Removal and Cleaning 44</p> <p>3.7 Burner Removal and Cleaning 45</p> <p>3.8 Cleaning the Heat Exchanger 45</p> <p>3.9 Ignition / Detection Electrode Replacement / Inspection 46</p> <p>3.10 Cleaning the Condensate Trap 46</p> <p>3.11 Flow & Return Thermistor Replacement 47</p> <p>3.12 Burner Injector Replacement 47</p> <p>3.13 Burner Replacement 47</p> <p>3.14 Spark Generator Replacement 48</p> <p>3.15 Gas Control Valve Replacement 48</p> <p>3.16 Condensate Trap Replacement / Cleaning 49</p> <p>3.17 Flow Switch Replacement 49</p> <p>3.18 Primary PCB Replacement 49</p> <p>3.19 Heat Engine Replacement 50</p> <p>Section 4 - Fault Finding 51</p> <p>4.1 Fault Finding Main Menu 51</p> <p>4.2 Overheat Lockout 51</p> <p>4.3 'L 02' - Ignition Lockout 52</p> <p>4.4 'L 06' - Flame On Before Gas Valve On 52</p> <p>4.5 'F 02 or FN or LN' - Flame Loss 53</p> <p>4.6 'F 03' - Fan Fault 53</p> <p>4.7 'F 04 or L 04' - Flow Thermistor Fault 54</p> <p>4.8 Flow / Return Reversed 54</p> <p>4.9 'F 05 or L 05' - Return Thermistor Fault 54</p> <p>4.10 'F 06' - Outside Sensor Fault 55</p> <p>4.11 No CH Operation 55</p> <p>4.12 No Display 56</p> <p>4.13 No DHW Operation 56</p> <p>4.14 Flow / Return Differential Greater than 50°C 57</p> <p>4.15 'F0 d' - No Water Flow 57</p> <p>Section 5 - Spare Parts 58</p> <p>Section 6 - Benchmark to Commissioning 59</p>
--	---

Section 1 - General

Table 1 General Data

		12	15	18	24	30
Gas Supply		2H - G20 - 20 mbar				
Gas Supply Connection		15 mm copper compression				
Injector Size	mm	4.15	4.15	4.15	4.15	4.65
Flow Connection	Central Heating	22 mm copper compression				
Return Connection	Central Heating	22 mm copper compression				
Flue Terminal Diameter	mm	100				
Average Flue Temp-Mass Flow Rate		56°C - 5g/s	56°C - 6g/s	58°C - 8g/s	63°C - 10g/s	69°C - 13g/s
CO2 Content (± 0.7)	Max. CH	9.1%	9.4%	9.3%	9.3%	9.7%
	Min. CH	8.5%	8.8%	8.7%	8.4%	8.8%
Maximum Working Pressure (Sealed Systems)	bar (psi)	2.5 (36.3)				
Electrical Supply		230 V ~ 50 Hz				
Power Consumption	W	16	22	25	46	50
Fuse Rating		External : 3 A Internal : T4A HRC L250 V				
Water Content	Central Heating litre (gal)	1.2 (0.26)				
Packaged Weight	kg	25.1				
Lift Weight	kg	21.9				
Boiler Casing Size	Height mm	700				
	Width mm	395				
	Depth mm	278				

Table 2 Performance Data - Central Heating

Boiler Input:		12		15		18		24		30	
		Min	Max	Min	Max	Min	Max	Min	Max	Min	Max
Net CV	kW	4.9	12.1	4.9	15.1	4.9	18.1	4.9	24.3	6.1	30.4
	Gross CV	kW	5.4	13.4	5.4	16.6	5.4	20.1	5.4	27.0	6.7
Gas Consumption	m3/h	0.500	1.246	0.500	1.537	0.500	1.872	0.500	2.512	0.623	3.136
Boiler Output :											
Non Condensing 70°C Mean Water Temp.	kW	4.8	12.0	4.8	15.0	4.8	18.0	4.8	24.2	6.1	30.3
Condensing 40°C Mean Water Temp.	kW	5.1	13.0	5.1	15.9	5.1	19.1	5.1	25.6	6.4	31.0
SEAI HARP*		91.1%		91.2%		91.1%		91.2%		91.1%	
NOx Classification		Class 6									

* The value is used in the Irish Government's Dwelling Energy Assessment Procedure (DEAP) for energy rating of dwellings. The test data from which it has been calculated, has been certified by a notified body.

Gas consumption is calculated using a calorific value of 38.7 MJ/m³ (1038 Btu/ft³) gross or 34.9 MJ/m³ (935 Btu/ft³) nett

To obtain the gas consumption at a different calorific value:

- a. **For l/s** - divide the gross heat input (kW) by the gross C.V. of the gas (MJ/m³)
- b. **For Btu/h** - multiply the gross heat input (kW) by 26.8
- c. **For ft³/h** - divide the gross heat input (Btu/h) by the gross C.V. of the gas (Btu/ft³)
- d. **For m³/h** - multiply l/s by 3.6

C₁₃ C₃₃ C₅₃ = A room sealed appliance designed for connection via ducts to a horizontal or vertical terminal, which admits fresh air to the burner and discharges the products of combustion to the outside through orifices which, in this case, are concentric. The fan is up stream of the combustion chamber.

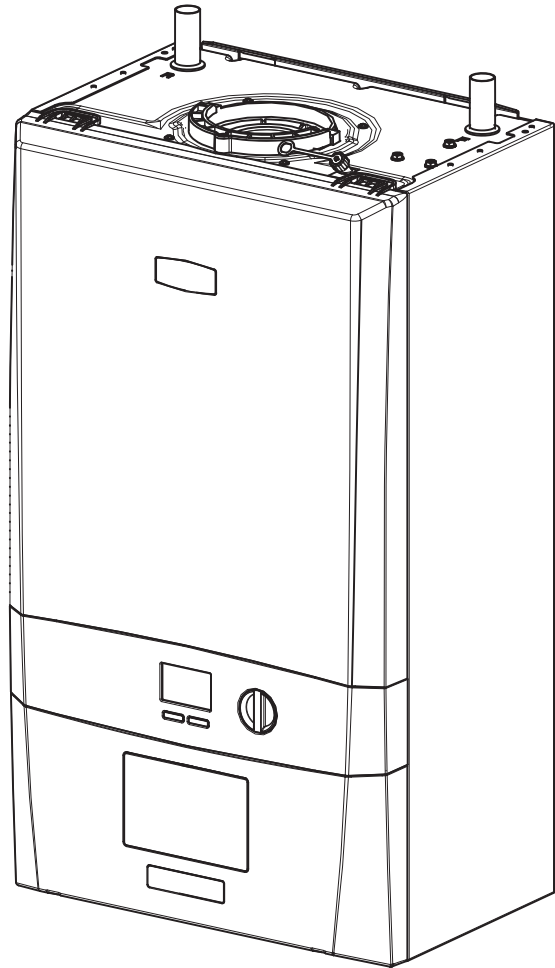
I_{2H} = An appliance designed for use on 2nd family gas, Group H only.

LOGIC HEAT² H IE

Natural Gas Only

BOILER SIZE	G.C. Appliance No (Benchmark No.)
12	41-860-15
15	41-860-16
18	41-860-17
24	41-860-18
30	41-860-19

Destination Country: IE



For UK, to comply with Building Regulations Part L1 (Part 6 in Scotland) the boiler should be fitted in accordance with the manufacturer's instructions. Self-certification that the boiler has been installed to comply with Building Regulations can be demonstrated by completing and signing the Benchmark Commissioning Checklist.

Before installing this boiler, read the Code of Practice sheet at the rear of this book.

BENCHMARK COMMISSIONING CHECKLIST DETAILS

Boiler	Page	Page
Make and model.....	7	Central heating flow temp.measure and record
Appliance serial no. on data badge	Front Cover	Central heating return temp.measure and record
SEDBUK No. %.....	6	For combination boilers only
Controls		Scale reducer
Time and temperature control to heating	31	n/a
Time and temperature control to hot water	31	<i>Hot water mode</i>
TRVs	10	Heat input.....to be calculated
Auto bypass	10	Max. operating burner pressure
Boiler interlock.....	10	n/a
For all boilers		Max. operating water pressure..... measure & record
Flushing to BS.7593.....	15	Cold water inlet temp
Inhibitor	15	measure & record
<i>Central heating mode</i>		Hot water outlet temp..... measure & record
Heat input.....to be calculated		Water flow rate at max. setting..... measure & record
Burner operating pressure	n/a	For condensing boilers only
		Condensate drain.....
		27-28
		For all boilers: Complete, sign & hand over to customer

NOTE TO THE INSTALLER: COMPLETE THE BENCHMARK COMMISSIONING CHECKLIST AND LEAVE THESE INSTRUCTIONS WITH APPLIANCE



For assistance call Technical Helpline 00353 (0)1 961 7700

Section 1 - General

1.1 INTRODUCTION

The **Logic Heat² H IE** range of boilers are wall mounted, full sequence, automatic spark ignition, low water content, fanned flue, high efficiency, condensing, heating only gas boilers.

Due to the high efficiency of the boiler a plume of water vapour will form at the terminal during operation.

A variable temperature control is fitted on the user control.

The boiler includes as standard:

- Boiler frost protection

Notes. The appliance must be wired with a permanent live supply, or the boiler frost protection will not operate.

The boiler warranty will be invalid if these requirements are not complied with.

The boiler casing is of white painted mild steel with a polymer front panel.

The boiler temperature control is visibly located in the control panel on the front of the boiler.

The heat exchanger is manufactured from cast aluminium.

Note that these boilers cannot be used on systems which include gravity circulation.

The boiler is suitable for connection to fully pumped open vented or sealed water systems. Adequate arrangements for completely draining the system by provision of drain cocks MUST be provided in the installation pipework.

Pipework from the boiler is routed upwards.

A rear flue outlet kit (55/80) is available which provides a compact installation.

Data Plate

The boiler model and serial number can be located on the bottom of the boiler casing, shown in Section 1.16 - Water & Gas Connection Diagram.

1.2 OPERATION

When there is a demand, the heating system is supplied at the selected temperature of between 30°C and 80°C.

The boiler features a comprehensive diagnostic system which gives detailed information on the boiler status when operating, and performance of key components to aid commissioning and fault finding.

1.3 SAFE HANDLING

This boiler may require 2 or more operatives to move it to its installation site, remove it from its packaging base and during movement into its installation location. Manoeuvring the boiler may include the use of a sack truck and involve lifting, pushing and pulling.

Caution should be exercised during these operations.

Operatives should be knowledgeable in handling techniques when performing these tasks and the following precautions should be considered:

- Grip the boiler at the base.
- Be physically capable.
- Use personal protective equipment as appropriate, e.g. gloves, safety footwear.

During all manoeuvres and handling actions, every attempt should be made to ensure the following unless unavoidable and/or the weight is light.

- Keep back straight.
- Avoid twisting at the waist.
- Avoid upper body/top heavy bending.
- Always grip with the palm of the hand.
- Use designated hand holds.
- Keep load as close to the body as possible.
- Always use assistance if required.

1.4 OPTIONAL ACCESSORIES

Please visit idealheating.com to access the Accessories & Controls Installation Guide for this boiler.



1.5 SAFETY

Current Gas Safety (installation and use) regulations or rules in force:

The appliance is suitable only for installation in the IE and should be installed in accordance with the rules in force.

In IE, the installation must be carried out by a Registered Gas Installer (RGI) and installed in accordance with the current edition of I.S.813 "Domestic Gas Installations", the current Building Regulations and reference should be made to the current ETCI rules for electrical installations.

Where no specific instructions are given, reference should be made to the relevant British Standard Code of Practice.

The Boiler has been tested and certified to;

BSEN 15502-1, BSEN 15502-2, BSEN 15502-2-1, BSEN 60335-1, BSEN 60335-2-102, BSEN 55014-1 and BSEN 55014-2 for use with Natural Gas & Propane.

Section 1 - General

Detailed recommendations are contained in the following British Standard Codes of Practice:

- BS5440:1** Flues (for gas appliances of rated input not exceeding 70 kW).
- BS5440:2** Ventilation (for gas appliances of rated input not exceeding 70 kW).
- BSEN12828** Heating Systems in buildings: Design for water based heating systems.
- BSEN12831** Heating Systems in buildings: Method for calculation of the design heat load.
- BSEN14336** Heating Systems in buildings: Installation and commissioning of water based heating systems.
- BS5546** Installation of gas hot water supplies for domestic purposes (2nd Family Gases)
- BS6798** Installation of gas fired hot water boilers of rated input not exceeding 70 kW.
- BS6891** Installation and maintenance of low pressure gas installation pipework.
- BS 7593:2019** Code of practice for the preparation, commissioning and maintenance of domestic central heating and cooling water systems.

Health & Safety Document No. 635.

The Electricity at Work Regulations, 1989.

The manufacturer's notes must NOT be taken, in any way, as overriding statutory obligations.

IMPORTANT This appliance is UKCA/CE certificated for safety and performance. Do not connect external control devices directly to this appliance unless recommended in this manual or by **Ideal Heating** in writing. If in doubt, please enquire.

Unapproved control devices could invalidate the warranty of this appliance and infringe the Gas Safety Regulations.

1.6 SAFE HANDLING OF SUBSTANCES

No asbestos, mercury or CFCs are included in any part of the boiler or its manufacture.

1.7 LOCATION OF BOILER

The boiler must be installed on a flat and vertical internal wall, capable of adequately supporting the weight of the boiler and any ancillary equipment.

The boiler may be fitted on a combustible wall and insulation between the wall and the boiler is not necessary, unless required by the local authority.



WARNING: Rear access to the boiler is not permitted.



CAUTION: Do not fit the boiler outside.

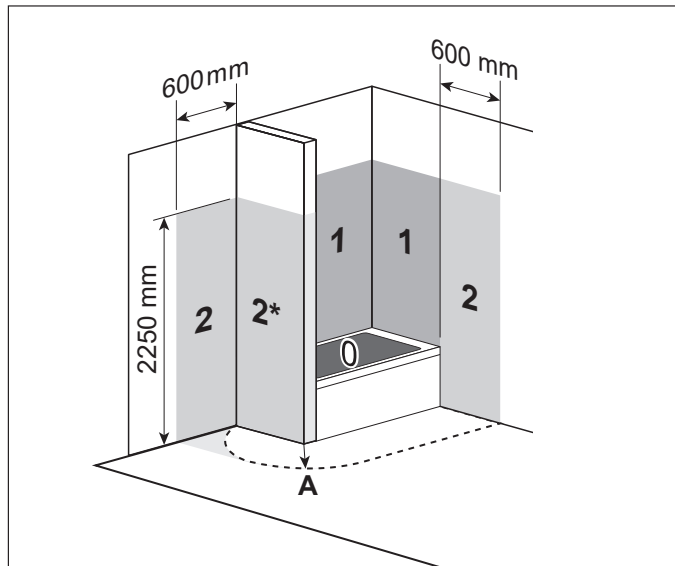
Timber Framed Buildings

Boilers installed in a timber-framed building must comply with IGE/UP7 +A 2008.

Bathroom Installations



CAUTION: This appliance is IP20 rated, do not clean with jets of water.



Bathroom Installations

[0] Zone 0

[1] Zone 1

[2] Zone 2

[2*] Without the end wall, zone 2 must extend 600 mm from the bath

[A] 600 mm radius from the bath or shower

You may install the boiler in any internal space. The installation must comply with the current IET (BS 7671) Wiring Regulations and the current ETCI rules for electrical installations and I.S 813:2002.

If the appliance is to be installed in a room containing a bath or shower then, the appliance must be installed beyond Zone 2, as detailed in BS7671.

Compartment Installations

A boiler installed in a compartment does not require ventilation. However, A boiler installed in a compartment must provide adequate clearances for servicing.

Refer to Section
1.15

Section 1 - General

1.8 CARBON MONOXIDE ALARMS

When installing a new boiler, Installers should make sure that a suitable carbon monoxide alarm is installed near to the boiler.

IMPORTANT: Carbon monoxide alarms must be installed in any room that has a fixed combustion appliance.

UK Building Regulations state that a carbon monoxide alarm should be installed in the room where:

- a new or replacement fixed combustion appliance (excluding an appliance used solely for cooking) is installed in the dwelling, or
- a new or replacement fixed combustion appliance is installed in a connected space such as an integral garage.

Users and Installers should comply with the Smoke and Carbon Monoxide Alarm (Amendment) Regulations 2022 and BS EN 50291-1:2010, and all applicable local building authority regulations.

Carbon monoxide detectors should use a battery designed to operate for the working life of the detector. Carbon monoxide detectors that are connected to the main electrical supply and comply with BS EN 50291-1:2010 (Type A) may be used, as long as a sensor failure warning device is installed. All detectors should include a warning device to alert the Users when the working life of the detector is scheduled to end.

1.9 AIR SUPPLY

It is not necessary to have an air vent in the room or internal space where the boiler is installed.

1.10 GAS SUPPLY

Consult the local gas supplier to establish an adequate supply of gas. Do not use existing service pipes without consulting the local gas supplier.

The gas supply must be governed with a meter.

A gas meter can only be connected by the local gas supplier or a Registered Gas Installer (RGI).

An existing meter should be checked, preferably by the gas supplier, to ensure that the meter is adequate to deal with the required gas supply rate.

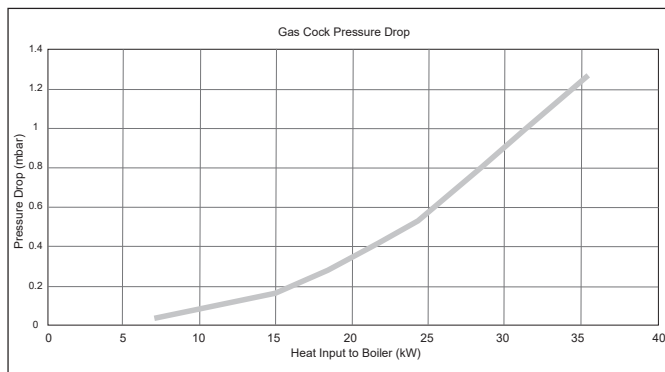
It is the responsibility of the Gas Installer to size the gas installation pipework in accordance with BS6891.

Whilst the principle of the 1:1 gas valve ensures the Logic range is able to deliver it is full output at inlet pressures as low as 14 mb, other gas appliances in the property may not be as tolerant. When operating pressures are found to be below the minimum meter outlet of 19 mb these should be checked to ensure this is adequate for correct and safe operation.

Allowing for the acceptable pressure loss of 1mb across the installation pipework, it can be assumed that a minimum permitted operating pressure of 18mb will be delivered to the inlet of the appliance.

(Reference BS6400-1 Clause 6.2 Pressure Absorption).

The external gas cock could further reduce the operating pressure when measured at its test point. The pressure drop is relative to the heat input to the boiler (kW), refer to graph below.



IMPORTANT: Ensure all gas valve connections are gas tight with a gas soundness check up to the gas control valve.

Installation pipes must be fitted in accordance with BS6891 and reference made to IS.813:2002.

The complete installation MUST be tested for gas tightness and purged as described, for the majority of installations the appropriate standard is IGEM/UP/1B [23], but alternatively IGEM/UP/1 [21] or IGEM/UP/1A [22], as appropriate, can be utilized.

1.11 WATER CIRCULATION SYSTEM

IMPORTANT: A minimum length of 1 metre of copper pipe MUST be fitted to both flow and return connections from the boiler before connection to any plastic piping.

The central heating system should be in accordance with BS6798 and, in addition, for smallbore and microbore systems, BS EN 12831 and BS EN 14336.

Water treatment is covered later in these instructions.

Refer to Section
1.22

1.12 BOILER CONTROLS

Install controls to ensure that the boiler has no demand when there is no requirement from the system.

Heating systems with TRVs in individual rooms must include a thermostat to control the temperature in rooms without TRVs.

At least 10% of the minimum boiler heat output should be achieved using a room thermostat. A bypass circuit with an automatic bypass valve must be fitted to systems with TRVs or two-port valves on all the radiators to ensure water flow.

1.13 ELECTRICAL SUPPLY



WARNING: This appliance must be earthed

Wiring external to the appliance **MUST** be in accordance with the current IET (BS7671) Wiring Regulations and current ETCI rules for electrical installation.

The mains supply to the boiler and system wiring centre shall be through one common fused double pole isolator and for new heating systems, and where practical replacement installations, the isolator shall be situated adjacent to the appliance.

1.14 CONDENSATE DRAIN

The condensate drain provided must be connected to the drainage point on site. All condensate drainage pipework and fittings must be made of plastic.



IMPORTANT: All pipework should be installed in accordance with BS6798.

The drain outlet on the boiler is sized for standard 21.5 mm overflow pipe. It is a universal fitting to allow use of different brands of pipework.

Refer to Section
2.20

1.15 BOILER DIMENSIONS, SERVICES & CLEARANCES

Refer to Section 2.22

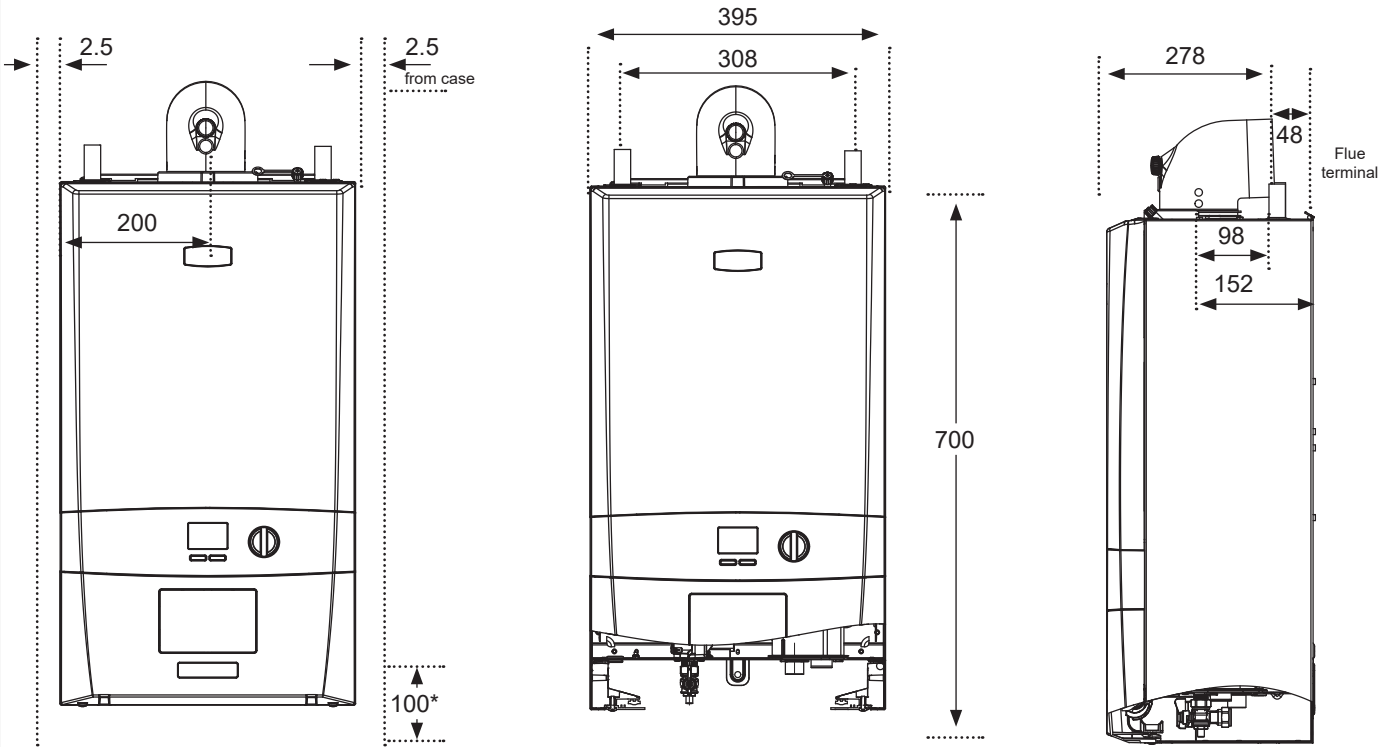
The boiler connections are made on the boiler connection tails.

The following minimum clearances must be maintained for operation and servicing.

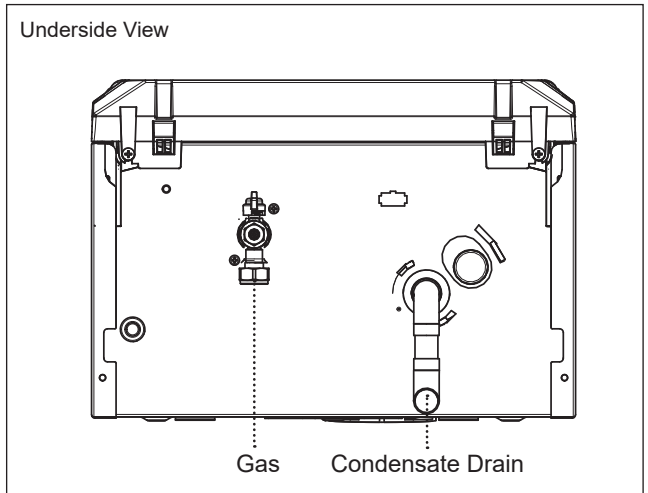
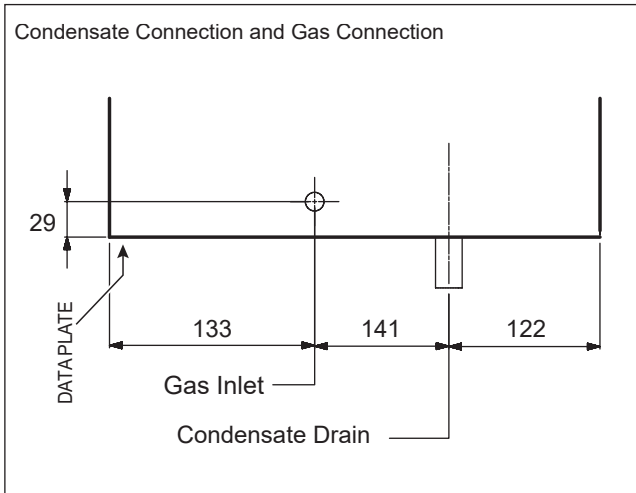
Additional space will be required for installation, depending upon site conditions.

Side and Rear Flue

- a. Provided that the flue hole is cut accurately, e.g. with a core drill, the flue can be installed from inside the building where wall thicknesses do not exceed 600mm.



All measurements in mm



Front Clearance

The minimum front clearance when built in to a cupboard is 5 mm from the cupboard door but 450 mm overall clearance is still required, with the cupboard door open, to allow for servicing.

*** Bottom Clearance**

Bottom clearance after installation can be reduced to 15 mm.

This must be obtained with an easily removable panel to provide the 100 mm clearance required for servicing.

! IMPORTANT Please ensure there is sufficient clearance either side and below the boiler, particularly from door hinges and the base of a cupboard.

1.16 OPEN VENT SYSTEM REQUIREMENTS

Refer to Section 1.18

The system should be vented directly off the boiler flow pipe, as close to the boiler as possible. The cold feed entry should be inverted and **MUST** be positioned between the pump and the vent, and not more than 150 mm away from the vent connection.

Note. Combined feed and vent pipes may also be fitted.

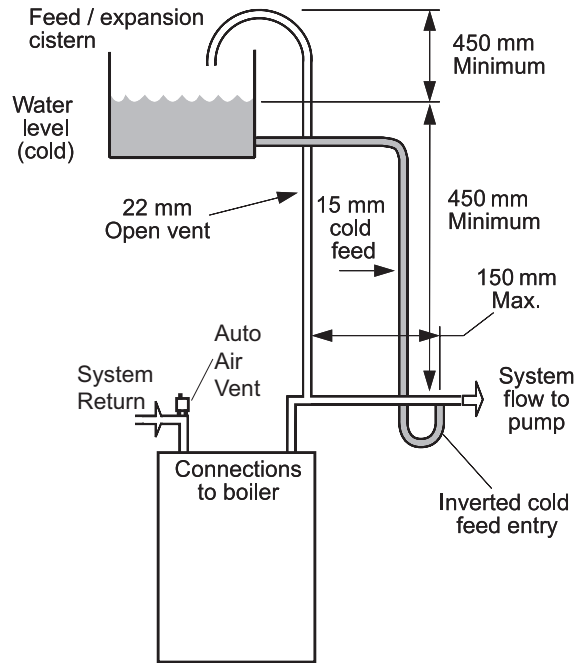
There should be a minimum height 450 mm of open vent above the cistern water level. The vertical distance between the highest point of the system and the feed/expansion cistern water level **MUST** not be less than 450 mm.

The pump must be fitted on the flow side of the boiler.

A suitable pump is a domestic circulator capable of providing a maximum 20°C temperature differential across the boiler with the whole of the heating circuit open (e.g. Grundfos UPS 15/50, 15/60 or equivalent). With the minimum flow circuit allowed by the controls the differential must not exceed 25 °C.

The vertical distance between the pump and feed/expansion cistern **MUST** comply with the pump manufacturer's minimum requirements, to avoid cavitation. Should these conditions not apply either lower the pump position or raise the cistern above the minimum requirement specified by **Ideal Heating**. The isolation valves should be fitted as close to the pump as possible.

It is recommended that an automatic air vent should be fitted to the return connection.



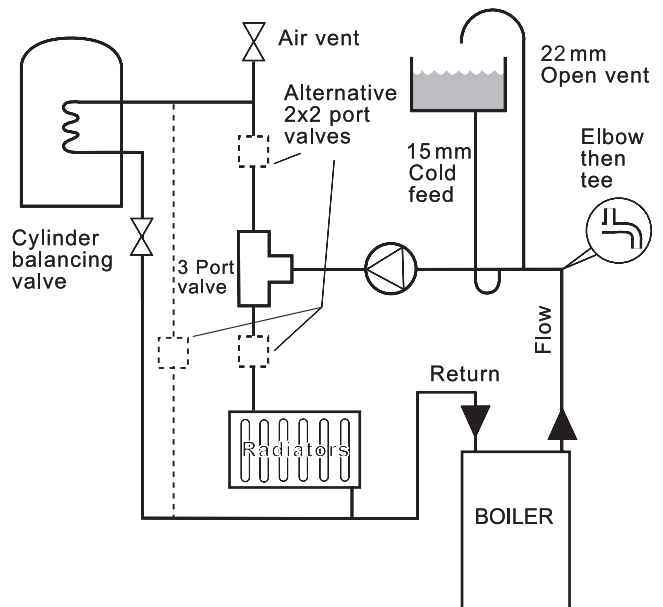
1.17 SCHEMATIC PIPEWORK AND SYSTEM BALANCING

Refer to Section 1.15 & 1.21

The boiler does not normally need a bypass but at least some radiators on the heating circuit, of load at least 10% of the minimum boiler output, must be provided with twin lockshield valves so that this minimum heating load is always available.

Balancing

1. Set the programmer to ON for both CH and HW. Turn the cylinder thermostat down. Close the manual or thermostatic valves on all radiators, leaving the twin lockshield valves (on the radiators referred to above) in the open position. Turn up the room thermostat and adjust these lockshield valves to give boiler flow and return temperatures not more than 20°C apart. These valves should now be left as set.
2. Open all manual or thermostatic radiator valves and adjust the lockshield valves on remaining radiators to give around 20°C temperature drop at each radiator.
3. Turn up the cylinder thermostat and adjust the cylinder balancing valve so that the cylinder achieves a maximum flow consistent with adequate flow to the radiators. Check that with only the domestic hot water loop in circuit a differential temperature of 25°C across the boiler is not exceeded.
4. Adjust room and cylinder thermostats and programmer to NORMAL settings.

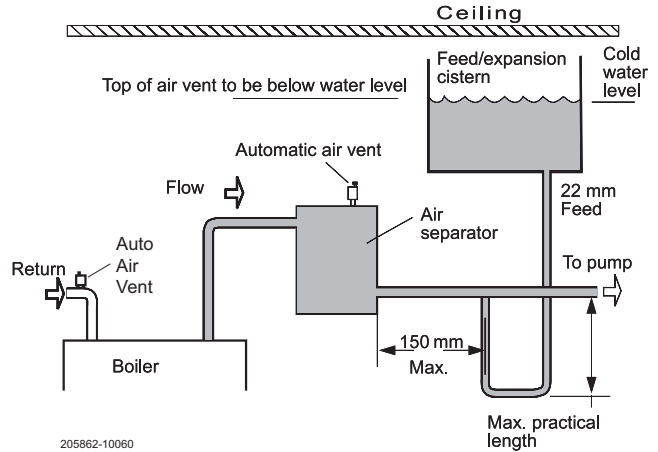


1.18 LOW HEAD AND LARGE SYSTEMS WITH EXTENSIVE PIPE RUNS - OPEN VENT

This arrangement is useful for large systems where radiators at the extremities are difficult to vent. This can lead to pumping over with conventional feed and vent arrangements.

The following conditions MUST be observed:

1. The top of the automatic air vent must be below the cold water level.
2. The static water level (cold) must be at least 200mm above the top of the horizontal flow pipe, fitted as shown. The vent connection MUST NOT be made immediately off the top of the boiler as venting is made less efficient.
3. The maximum practical length of 22mm cold feed pipe should be used in order to reduce the effective volume of hot system water expanding into the feed/expansion cistern to a minimum.



All dimensions in mm

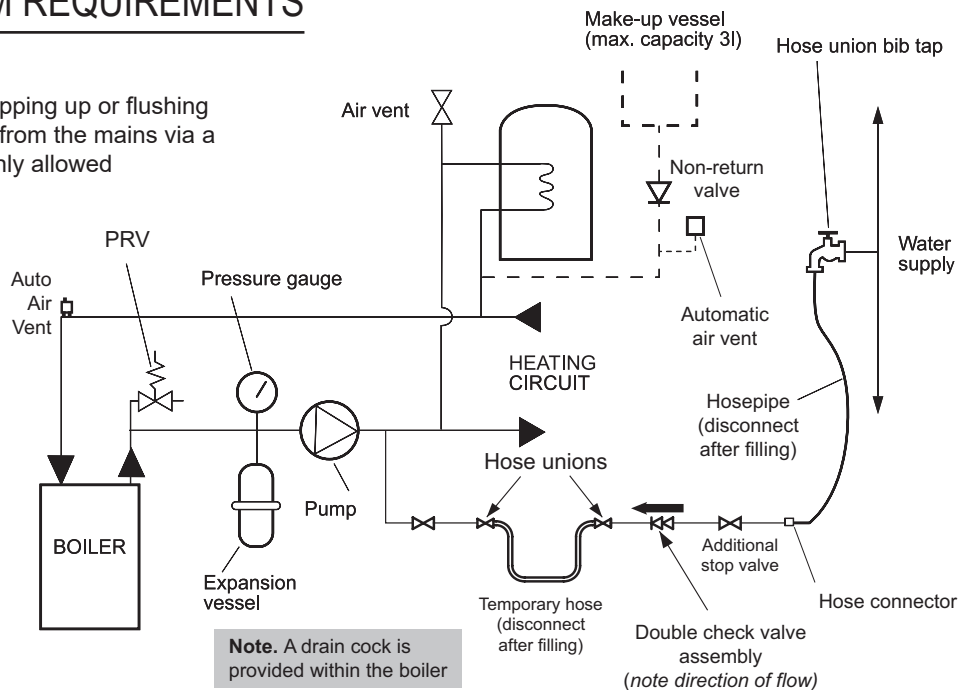
Note. The pump manufacturers' minimum requirements must be complied with.

1.19 SEALED SYSTEM REQUIREMENTS

Notes.

- a. The method of filling, refilling, topping up or flushing sealed primary hot water circuit from the mains via a temporary hose connection is only allowed if acceptable to the local water authority.
- b. When installing the filling device, it must be connected as shown to fully comply with the water regulations.

This may involve the fitting of an additional WRAS approval isolator valve to the mains supply.



2. PRV

A pressure relief valve (PRV) complying with the relevant requirements of BS.6759 must be fitted in the flow pipe as close to the boiler as possible and with no intervening valve or restriction. The valve should have the following features:

1. General

- a. The installation must comply with the requirements of BS. 6798, BS. EN 12831 and BS. EN 14336.
- b. The installation should be designed to work with flow temperatures of up to 80 °C.
- c. All components of the system, including the heat exchanger of the indirect cylinder, must be suitable for a working pressure of 3 bar and a maximum temperature of 110°C. Care should be taken in making all connections so that the risk of leakage is minimised.

- a. A non-adjustable preset lift pressure not exceeding 3bar.
- b. A manual testing device.
- c. Provision for connection of a discharge pipe. The valve or discharge pipe should be positioned so that the discharge of water or steam cannot create a hazard to the occupants of the premises or cause damage to electrical components and wiring.

1.20 SEALED SYSTEM REQUIREMENTS - CONTINUED

3. Pressure Gauge

A pressure gauge covering at least the range 0-4 bar must be fitted to the system. The gauge should be easily seen from the filling point and should preferably be connected at the same point as the expansion vessel.

4. Expansion Vessel

- a. A diaphragm type expansion vessel must be connected to a point close to the inlet side of the pump, the connecting pipe being not less than 15 mm size and not incorporating valves of any sort.
- b. The vessel capacity must be adequate to accept the expansion of the system water when heated to 110°C.
- c. The charge pressure must not be less than the static water head above the vessel. The pressure attained in the system when heated to 110° C should be at least 0.35 bar less than the lift pressure of the safety valve.

For guidance on vessel sizing refer to the table in this section.

For further details refer to BS. 5449, BS. 7074:1 and the British Gas Corporation publication 'Material and Installation Specifications for Domestic Central Heating and Hot Water'. For IE refer to the current edition of I.S.813.

5. Cylinder

The cylinder must be either of the indirect coil type or a direct cylinder fitted with an immersion calorifier which is suitable for operating on a gauge pressure of 0.35 bar in excess of the PRV setting. Single feed indirect cylinders are not suitable for sealed systems.

6. Make-up Water

Provision must be made for replacing water loss from the system, either:

- a. From a manually filled make-up vessel with a readily visible water level. The vessel should be mounted at least 150 mm above the highest point of the system, and be connected through a non-return valve to the system, fitted at least 300 mm below the make-up vessel on the return side of the domestic hot water cylinder or radiators.
or
- b. Where access to a make-up vessel would be difficult by pre-pressurisation of the system. Refer to 'Filling'.

7. Mains Connection

There must be no direct connection to the mains water supply or to the water storage tank supplying domestic water, even through a non-return valve, without the approval of the local water authority.

8. Filling

The system may be filled by one of the following methods:

- a. Through a cistern, used for no other purposes, via a ball valve permanently connected directly to a service pipe and/or a cold water distributing pipe.
The static head available from the cistern should be adequate to provide the desired initial system design pressure.

The cold feed pipe from the cistern should include a non-return valve and a stop valve with an automatic air vent connected between them, the stop valve being located between the system and the automatic air vent. The stop valve may remain open during normal operation of the system if automatic water make-up is required.

- b. Through a self-contained unit comprising a cistern, pressure booster pump (if required) and, if necessary, an automatic pressure reducing valve and flow restrictor. The cistern should be supplied through a temporary connection from a service pipe or cold water distributing pipe.
This unit may remain permanently connected to the heating system to provide limited automatic water make-up. Where the temporary connection is supplied from a service pipe or distributing pipe which also supplies other draw-off points at a lower level then a double check valve shall be installed upstream of the draw-off point.
- c. Through a temporary hose connection from a draw-off tap supplied from a service pipe under mains pressure. Where the mains pressure is excessive a pressure reducing valve shall be used to facilitate filling.

The following fittings shall form a permanent part of the system and shall be fitted in the order stated:

A stop valve complying with the requirements of BS. 1010, Part 2 (the hose from the draw-off tap shall be connected to this fitting).

A test cock.

A double check valve of an approved type.

- Thoroughly flush out the whole of the system with cold water, without the pump in position.
- With the pump fitted, fill and vent the system until the pressure gauge registers 1.5 bar. Examine for leaks.
- Check the operation of the PRV by manually raising the water pressure until the valve lifts. This should occur within ± 0.3 bar of the preset lift pressure.
- Release water from the system until the initial system design pressure is reached.
- Light the boiler and heat the system to the maximum working temperature. Examine for leaks.
- Turn off the boiler and drain the system while still hot.
- Refill and vent the system.
- Adjust the initial pressure to the required value.

Section 1 - General

Sizing procedure for expansion vessels: The volume of the expansion vessel (litres) fitted to a sealed system shall not be less than that given by the table on the following page, multiplied by a factor of 0.8 (for flow temperatures of less than 83°C).

PRV setting	3.0 bar			2.5 bar			2.0 bar	
Vessel charge and initial system pressure	0.5 bar	1.0 bar	1.5 bar	0.5 bar	1.0 bar	1.5 bar	0.5 bar	1.0 bar
Total water content of system litres	Expansion vessel volume litres							
25	2.1	2.7	3.9	2.3	3.3	5.9	2.8	5.0
50	4.2	5.4	7.8	4.7	6.7	11.8	5.6	10.0
75	6.3	8.2	11.7	7.0	10.0	17.7	8.4	15.0
100	8.3	10.9	15.6	9.4	13.4	23.7	11.3	20.0
125	10.4	13.6	19.5	11.7	16.7	29.6	14.1	25.0
150	12.5	16.3	23.4	14.1	20.1	35.5	16.9	30.0
175	14.6	19.1	27.3	16.4	23.4	41.4	19.7	35.0
200	16.7	21.8	31.2	18.8	26.8	47.4	22.6	40.0
225	18.7	24.5	35.1	21.1	30.1	53.3	25.4	45.0
250	20.8	27.2	39.0	23.5	33.5	59.2	28.2	50.0
275	22.9	30.0	42.9	25.8	36.8	65.1	31.0	55.0
300	25.0	32.7	46.8	28.2	40.2	71.1	33.9	60.0
Multiplying factors for other system volumes	0.0833	0.109	0.156	0.094	0.134	0.237	0.113	0.20

1.21 SYSTEM BALANCING

Note. Systems incorporating zone valves which could completely cut off the flow through the system must also include a bypass.

The boiler does not normally need a bypass but at least some radiators on the heating circuit, of load of at least 10% of the minimum boiler output, must be provided with twin lockshield valves so that this minimum heating load is always available.

Balancing

1. Set the programmer to ON.

Close the manual or thermostatic valves on all radiators, leaving the twin lockshield valves (on the radiators referred to above) in the OPEN position.

Turn up the room thermostat and adjust the lockshield valve to give an uninterrupted flow through the radiator.

These valves should now be left as set.

2. Open all manual or thermostatic radiator valves and adjust the lockshield valves on the remaining radiators, to give around 20°C temperature drop at each radiator.
3. Adjust the room thermostat and programmer to NORMAL settings.
3. Adjust the room thermostat and programmer to NORMAL settings.

1.22 WATER TREATMENT

Central Heating

The Logic range of boilers have an ALUMINIUM alloy heat exchanger.

! IMPORTANT The application of any other treatment to this product may render the guarantee of Ideal Heating invalid.

Ideal Heating recommend Water Treatment in accordance with the Benchmark Guidance Notes on Water Treatment in Central Heating Systems.

If water treatment is used, **Ideal Heating** recommend only the use of SCALEMASTER SM-1 PRO, FERNOX, MBI, ADEY MC1, SENTINEL X100 or CALMAG CM100 inhibitors and associated water treatment products, which must be used in accordance with the manufacturers' instructions.

This boiler can be used with a water softener. However, the heating system should not be filled with softened water as any softening chemicals could enhance corrosion of certain materials in the heating system, including aluminium and steel. The heating system should always be filled from the bypass on the water softener installation.

Notes

1. It is most important that the correct concentration of the water treatment products is maintained in accordance with the manufacturers' instructions.
2. If the boiler is installed in an existing system any unsuitable additives MUST be removed by thorough cleansing. BS7593:2019 details the steps necessary to clean a domestic heating system.
3. In hard water areas, treatment to prevent lime scale may be necessary - however the use of artificially softened water is NOT permitted.
4. Under no circumstances should the boiler be fired before the system has been thoroughly flushed.

For further information contact:

Fernox www.fernox.com Tel: +44 (0) 3301 007750

Sentinel Performance Solutions
www.sentinelprotects.com Tel: +44 (0) 1928 704330

Scalemaster Water Treatment Products
www.scalemaster.co.uk Tel: +44 (0) 1785 811636

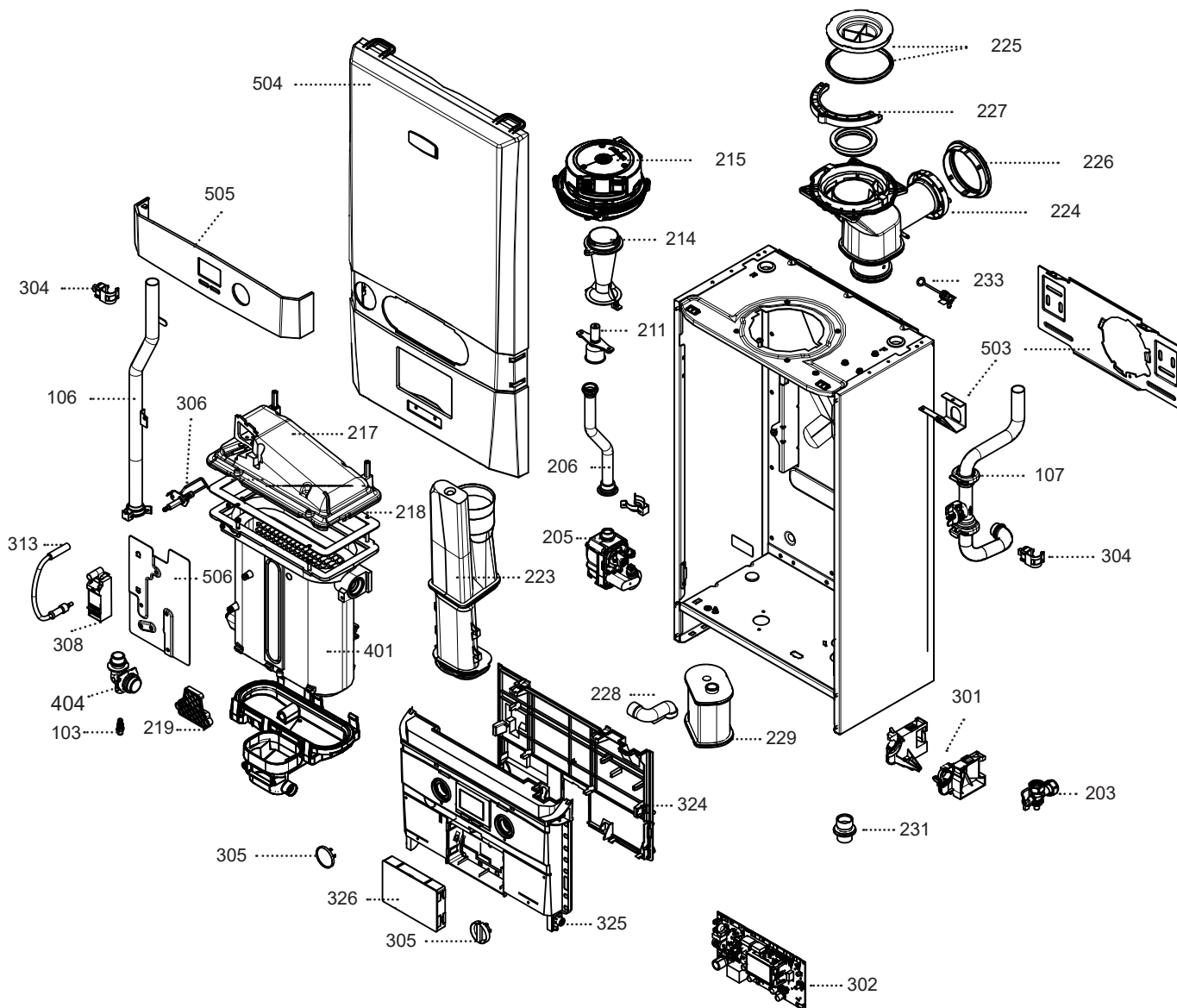
Calmag Ltd. www.calmag Ltd.com
Tel: +44 (0) 1535 210320

Adey www.adey.com Tel: +44 (0) 1242 546700

2.1 BOILER ASSEMBLY - EXPLODED VIEW

- | | | | | | |
|-----|---------------------------------|-----|-------------------------------------|-----|--------------------------------------|
| 106 | PIPE - RETURN | 226 | FLUE MANIFOLD - REAR SEALING CAP | 309 | FLOW THERMISTOR |
| 107 | FLOW MANIFOLD/ASSEMBLY | 227 | CLAMP RETAINING FLUE TURRET | 313 | IGNITION DETECTION LEAD |
| 203 | GAS COCK | 228 | HOSE CONDENSATE INTERNAL | 324 | CONTROLS BOX LID |
| 205 | GAS VALVE | 229 | SIPHON TRAP | 325 | CONTROL BOX FRONT |
| 206 | PIPE - GAS INJECTOR | 231 | CONDENSATE OUTLET CONNECTION | 401 | HEAT ENGINE |
| 211 | INJECTOR ASSEMBLY | 233 | FLUE SENSING NIPPLE | 404 | ELBOW RETURN CONNECTOR |
| 214 | VENTURI | 301 | CONTROLS BOX HINGES & HARNESS CLIPS | 503 | WALL MOUNTING & FLOW SUPPORT BRACKET |
| 215 | FAN | 302 | PCB | 504 | FRONT PANEL |
| 217 | BURNER | 304 | CONTROL THERMISTOR (FLOW / RETURN) | 505 | FASCIA |
| 218 | GASKET - BURNER | 305 | POTENTIOMETER & BLANK KNOBS | 506 | BRACKET - GAS VALVE |
| 219 | SUMP CLEAN OUT COVER | 306 | ELECTRODE IGNITION | | |
| 223 | FLUE MANIFOLD | 308 | IGNITOR UNIT | | |
| 224 | FLUE MANIFOLD TOP | | | | |
| 225 | FLUE MANIFOLD - TOP SEALING CAP | | | | |

Note that item numbers are linked to the spares list

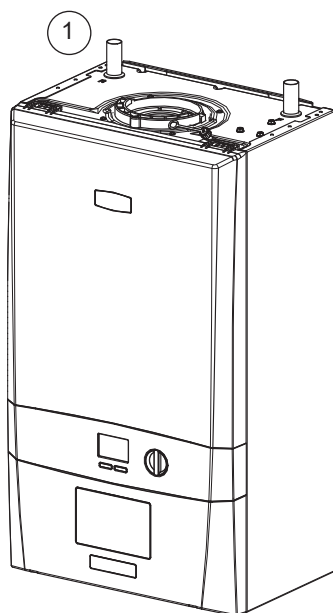


2.2 UNPACKING

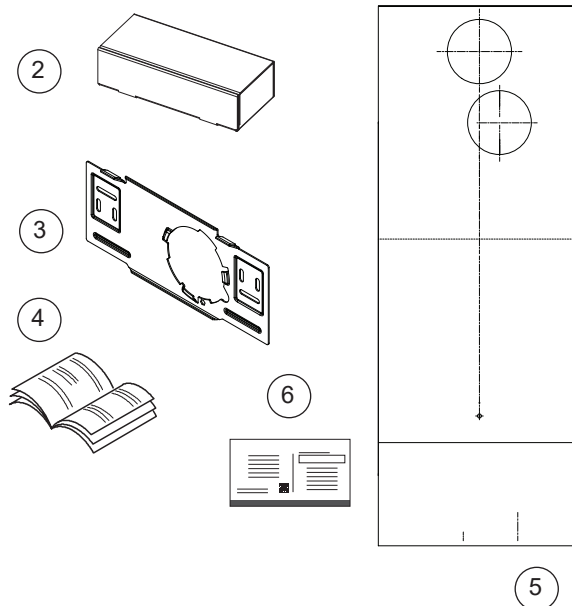
The boiler is supplied fully assembled in Pack A. A telescopic or non-telescopic flue assembly for rear or side flue outlet in Pack B is supplied as a separate order.

Pack A Contents

1. Boiler
2. Hardware Pack Box
3. Wall Mounting Plate
4. These Installation/Users Instructions
5. Wall Mounting Template
6. Boiler Warranty



Unpack and check the contents



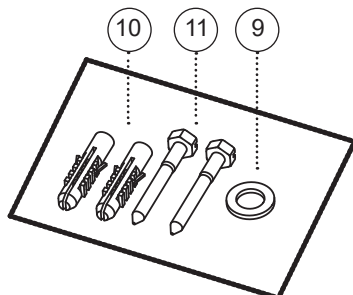
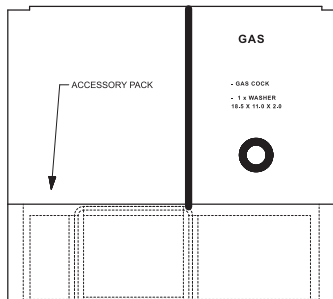
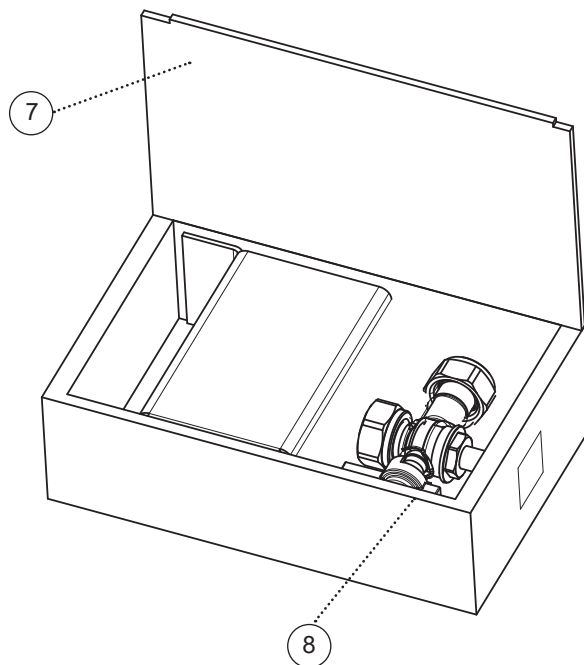
Hardware Pack

Box Contents

7. 1x HP Box - 180 x 111 x 57.5 mm
8. 1x Gas Cock

Accessory Bag Contents

9. 1x Washers*
10. 2x Wall Plugs
11. 2x Screws



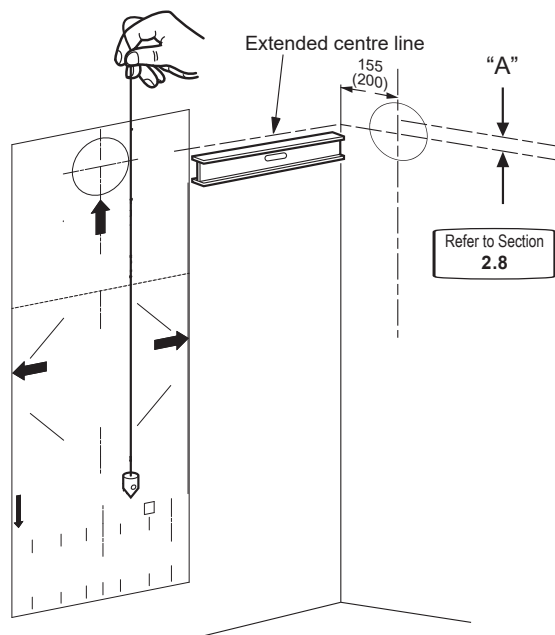
*Refer to valve/washer template inside hardware pack box lid.

2.3 WALL MOUNTING TEMPLATE

The wall mounting template is located on the internal protective packaging. The template shows the position of the fixing and rear flue centre holes for a standard installation

Care **MUST** be taken to ensure the correct holes are drilled.

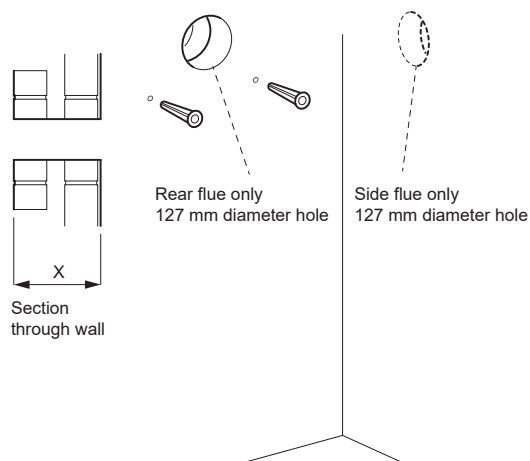
1. Secure the template into the required position. Ensure it is square by hanging a plumbline.
2. If fitting a side flue, extend the flue centreline onto the side by 155 mm on a standard wall fix or 200 mm if using a stand-off bracket.
3. Mark the following on to the wall:
 - a The selected group of wall mounting screw holes.
 - b. The centre position of the flue duct. Marking both the centre and the circumference of the flue duct.
4. Remove the template plate from the wall.



2.4 PREPARING THE WALL

WARNING: Ensure that, during the cutting operation, masonry falling outside of the building does not cause damage or personal injury.

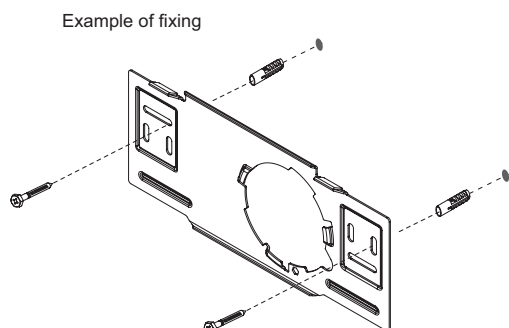
1. Check all of the hole positions before drilling.
2. Cut the flue hole with a 127 mm core boring tool, ensure the hole is square to the wall.
3. Drill the 2 mounting holes with a 7.5 mm / 8 mm masonry drill and insert the plastic plugs provided.
4. Locate 2 No.14 x 50 mm screws in the wall mounting plate (one at each side, in any of the 3 holes provided at each side) and screw home. Ensure mounting bracket is level.



2.5 FITTING THE WALL MOUNTING PLATE

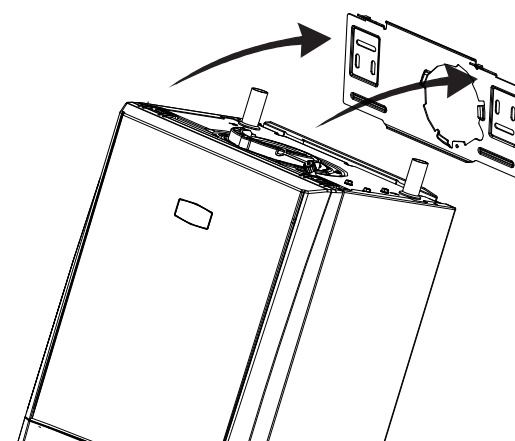
Screw the wall mounting plate to the wall using 2 wall plugs fitted previously with the 2 screws provided.

Choose one of the 2 sets of slots in left and right bank. Ensure that at least one of the screws is fitted into a top slot and the mounting bracket is level.



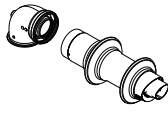
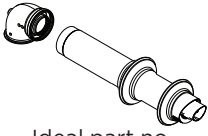
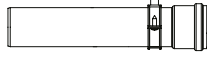
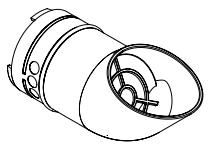
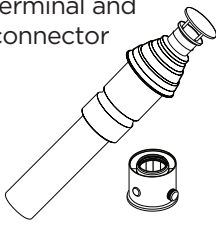

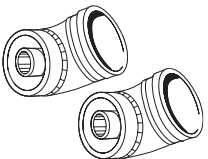
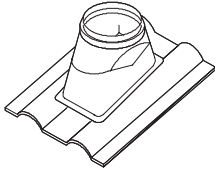
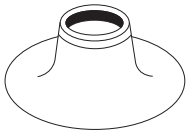
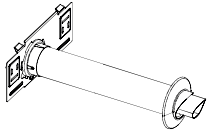
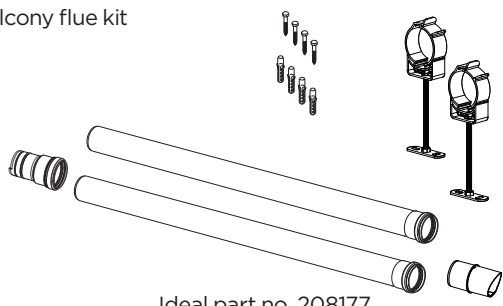
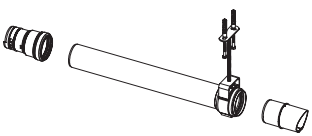
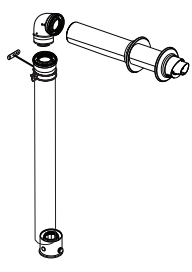
2.6 MOUNTING THE BOILER

1. Lift the boiler onto the wall mounting plate and locate it over the 2 tabs.



2.7 FLUES AND LOCATIONS

This installation & servicing manual must be read in conjunction with flue kit and fitting guide.

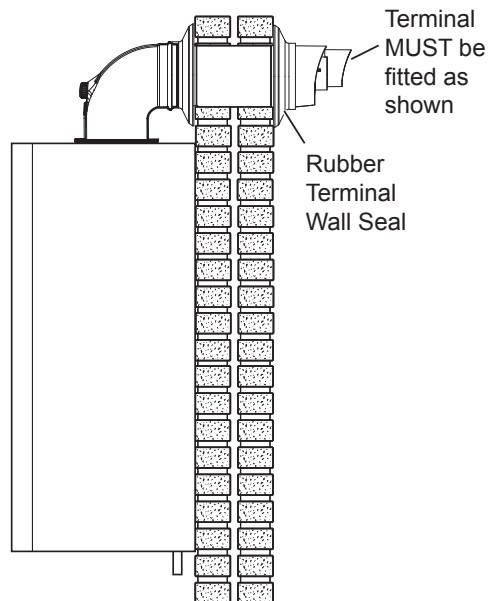
<p>Telescopic horizontal flue 0.5 or 0.7 m</p>  <p>Ideal part no. 0.5 m 208169 0.7 m 208174</p>	<p>Horizontal flue 0.6 or 0.8 m</p>  <p>Ideal part no. 0.6 m 208171 0.8 m 217442</p>	<p>Flue extension 0.5 m, 1 m or 2 m</p>  <p>Ideal part no. 0.5 m 211037 1 m 203129 2 m 211038</p>	<p>Flue deflector</p>  <p>Ideal part no. 208176</p>	<p>Vertical flue terminal and connector</p>  <p>Ideal part no. 211039</p>
<p>Flue elbow 90°</p>  <p>Ideal part no. 203130</p>	<p>Flue elbow 45°</p>  <p>Ideal part no. 203131</p>	<p>Weather collar pitched roof</p>  <p>Ideal part no. 152258</p>	<p>Weather collar flat roof</p>  <p>Ideal part no. 152259</p>	<p>Rear outlet flue (55/80)</p>  <p>Ideal part no. 205990</p>
<p>Balcony flue kit</p>  <p>Ideal part no. 208177</p>		<p>Soffit kit</p>  <p>Ideal part no. 211302</p>	<p>Raised horizontal flue kit</p>  <p>Ideal part no. 208290</p>	

WARNING:

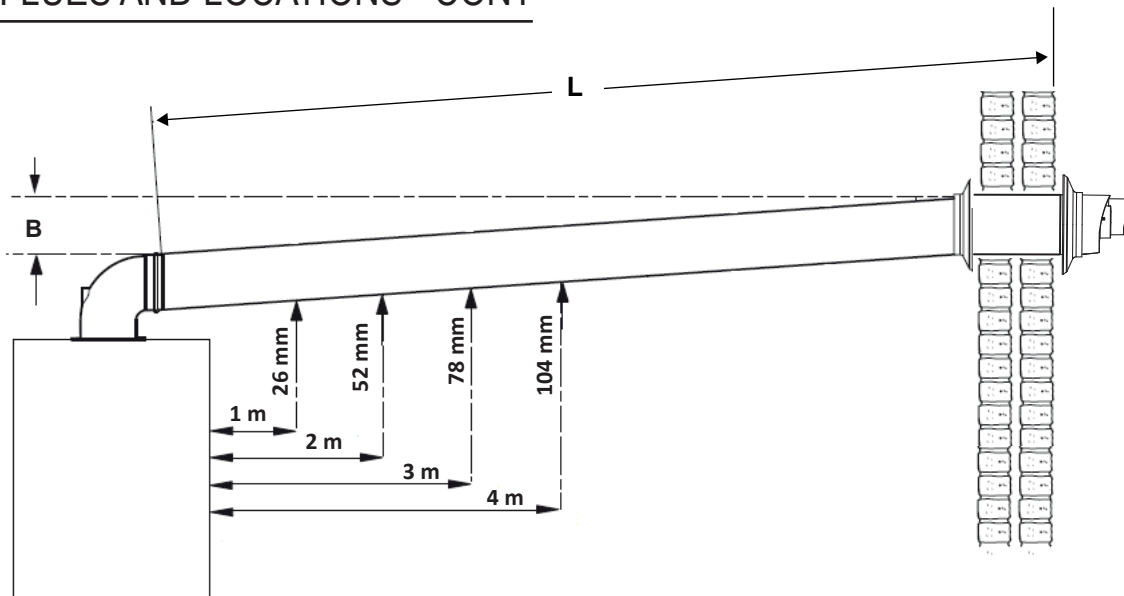
- It is critical that products of combustion cannot re-enter the building.
- The flue terminal must always have a free passage of air.

CAUTION:

- White sections of the flue must not be visible outside.
- Install a flue terminal guard where the flue terminal is less than 2 metres above a platform where persons can walk or come into contact with the terminal.
- Water is the only permitted lubricant for flue assembly.



2.8 FLUES AND LOCATIONS - CONT



B = Top Clearance

Top Clearance is measure from the top of the turret to the top of the hole where the flue terminates.

L = Effective flue length.

The effective length of the flue is measured from the edge of the turret to the flue terminal lip.

Flue systems that require extension kits must be installed with a 1.5° decline from the flue terminal back to the boiler. A 1.5° decline can be achieved by designing the flue with a 26 mm rise per meter length of flue.

IMPORTANT INFORMATION

Install the flue in accordance to BS 5440:1 2008
Position the terminal, so the products of combustion do not cause a nuisance.

The terminal outlet duct must not be closer than 25 mm to combustible material.

The flue is secured in the wall using either sand and cement or heatproof silicone.

The flue must be supported by a bracket every metre of flue length and at every change of direction. Concealed flues must have inspection hatches no more than 1.5 metres from joints.

Where possible inspection hatches should be located at change of directions. Where this is not possible then bends must be viewable from both sides.

Inspection hatches must be at least 300 mm².

Table 3 - Flue Terminal Position

Flue Terminal Positions	Min. Spacing*
1. Directly below, above or alongside an opening.	300 mm
2. Below guttering, drain pipes or soil pipes.	75 mm 25 mm*
3. Below eaves.	200 mm 25 mm*
4. Below balconies or a car port roof.	200 mm 25 mm*
5. From vertical drain pipes or soil pipes.	150 mm 25 mm*
6. From an internal or external corner or a boundary alongside the terminal.	300 mm 25 mm*
7. Above adjacent ground, roof or balcony level.	300 mm
8. From a surface or a boundary facing the terminal.	600 mm
9. From a terminal facing a terminal.	1200 mm
10. From an opening in a car port into dwelling.	1200 mm
11. Vertically from a terminal on the same wall.	1500 mm
12. Horizontally from a terminal wall.	300 mm
13. Horizontally from an adjacent window	600 mm
14. Facing an opening into an adjacent building	2000 mm
15. At an angle to the boundary	90° 300 mm 45° 600 mm
16. Parallel to a boundary	300 mm
17. Below ground level – open light well	
a) Below ground	<1,000 mm
b) Above floor level	300 mm
c) From side	300 mm
d) From facing surface	600 mm

*Only one reduction down to 25mm is allowed per installation.

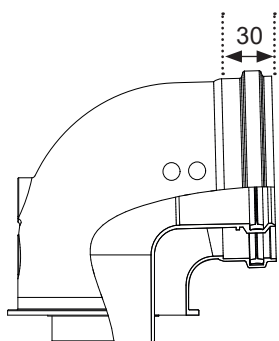
Horizontal	Maximum Effective Flue Length
12-24 kW	9.0 metres
30 kW	8.0 metres
Vertical	
12-24/30 kW	7.5 metres
Elbows increase resistance and have an effective flue length equivalence. The following table is an example.	
Part	Resistance
45° elbow	0.6 metres
90° elbow	1.0 metres

2.11 FLUE SYSTEM DIMENSIONS

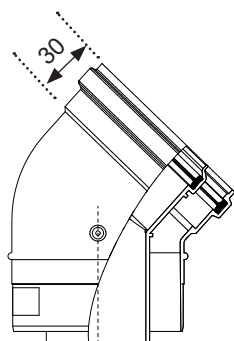
Flue Design

! IMPORTANT:

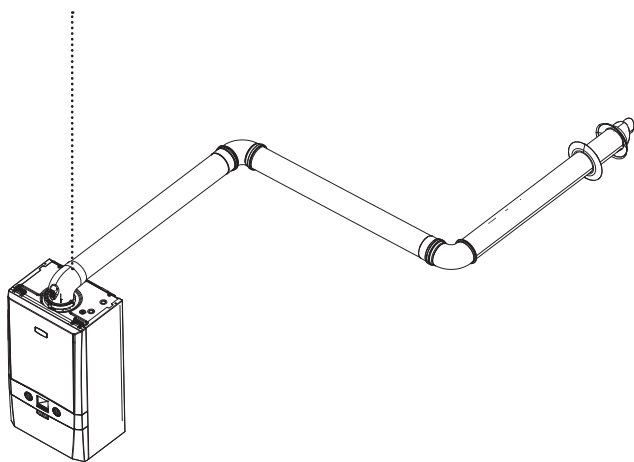
1. Flue lengths may vary, always measure flue lengths before cutting.
2. Effective flue length and actual flue length are different measurements.
3. Effective flue length is made up of the flue length equivalence and the flue sections between the turret, elbows and terminal.
4. Actual flue length is the amount of flue needed to achieve the effective flue length, this includes insertions.
5. It is recommended that a support bracket is fitted on every 1 metre of pipe work used and the bracket is located as close to the collar as possible. The bracketing must ensure a 1.5 degree fall back to the appliance.



Turret insertion (mm)



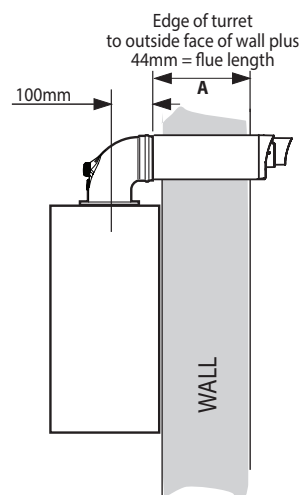
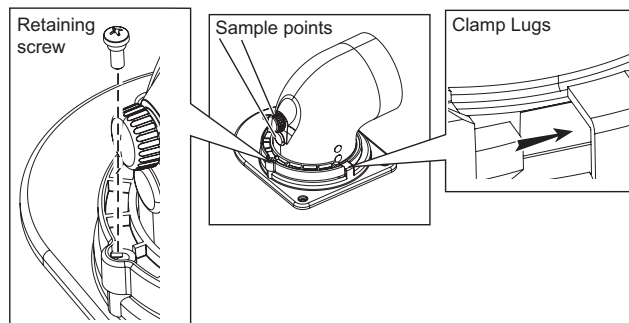
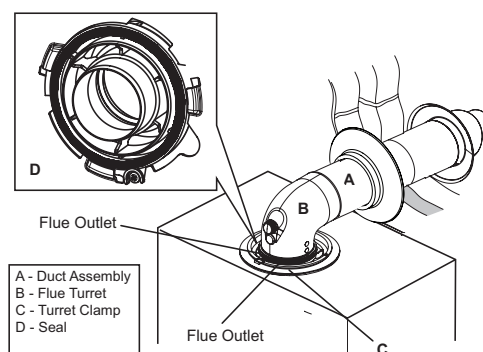
Elbow insertion (mm)



Part	Actual Length	Insertion	Effective Length
1 m flue length	1000 mm	30 mm	970 mm
90° elbow		n/a	1000 mm
1 m flue length	1000 mm	30 mm	970 mm
90° elbow		n/a	1000 mm
0.6 m flue terminal	600 mm	30 mm	570 mm
Total			4.510 mm

2.12 FITTING THE TURRET

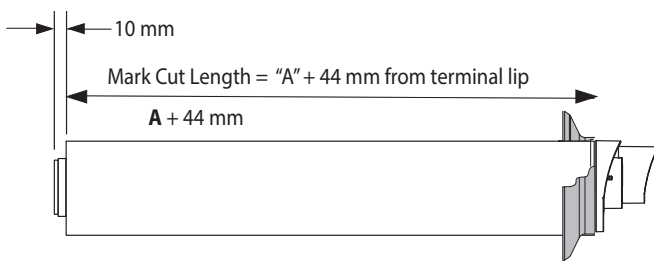
1. Ensure the condensate trap in filled with water
2. Ensure the rubber seal is not damaged and fitted correctly on the appliance manifold.
3. Firmly hold the flue and push the turret on until it has travelled 30 mm ensuring the flue has not rotated or moved forward.
4. Push the turret into the manifold ensuring the upper plastic lip is flush with the top of the manifold.
5. Fully engage the clamp location section into the manifold location hole and rotate down onto the flange.
6. Use the securing screws to secure the clamp to the appliance.
7. Ensure all sample points are accessible and all sample plugs and caps are fitted.



2.13 CUTTING THE FLUE

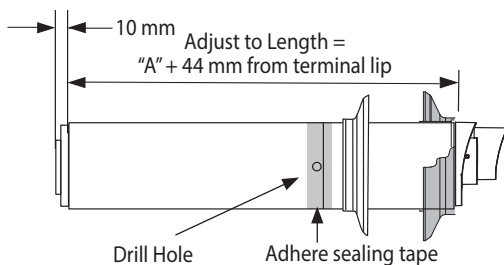
CUTTING HORIZONTAL FLUE TERMINAL (non-telescopic)

1. Measure the required cut flue length ($A + 44$ mm)
2. Measure from the outer terminal lip to the end of outer tube. Mark the required cut length ($A + 44$ mm) around the circumference of the outer tube and cut following the mark to ensure it is cut square.
3. Mark and cut the inner tube 10 mm longer than the outer tube ensure the cut is square.
4. Remove all burrs on the inner and outer tube and place a light chamfer on the inner tube to aid with assembly.



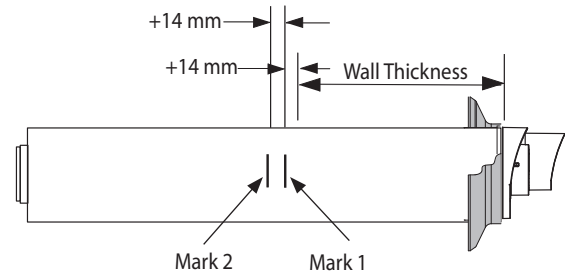
SETTING TELESCOPIC FLUE

1. Measure the required length ($A + 44$ mm)
2. Pull flue apart until the desired length is achieved ensuring the stop mark is not visible.
3. Ensure both flue seams are at the top and the flue outlet terminal is uppermost.
4. Drill a 3.5 mm hole through the small and large outer tube using the pilot hole on the large outer tube.
5. Secure large and small outer tube using the screws provided.
6. Seal the joint on the out tube with the tape provided.
7. Fit the internal and external wall seals.



FITTING THE FLUE THROUGH THE WALL (Internal Installation)

1. Measure the thickness of the wall.
2. To this measurement add 14 mm.
3. Make a mark on the flue shown as mark 1 (top right).
4. Make another mark on the flue a further 14 mm in shown as Mark 2 above right.
5. Fit the external wall seal (black) to the flue terminal ensuring it is fitted on the terminal outer lip seal.
6. Fit the inner wall seal approximately 65 mm prior to Mark 2.



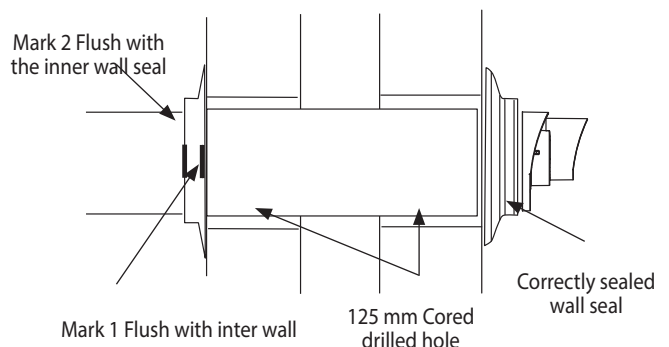
7. Place the terminal end of the flue into the 127 mm core drilled centrally and slowly apply slight pressure and move the flue up or down or side to side. This will cause the external wall seal to fold in and allow the flue to pass through the wall.
8. When the inner wall seal is flush against the wall pull back the flue until Mark 1 is flush with the inner wall surface.
9. Hold the flue steady and push the inner wall seal towards the wall until Mark 2 is just visible.

FITTING THE FLUE THROUGH THE WALL (External Installation)

1. Follow steps 1 - 5 from above.
2. Push the flue through the 127 mm core drilled hole from the outside
3. Return inside the property and fit the inner wall seal to the flue.
4. Pull the flue internally until Mark 1 is flush with the inner wall surface.
5. Holding the flue in this position push the inner wall seal towards the wall until Mark 2 is just visible.

If Mark 1 is not flush with the inner wall surface and can be seen prior to the wall surface, then the external wall seal will have been dislodged and will require to be re-fitted. If this situation occurs, then please start the process from the beginning.

On completion the flue will be correctly installed as below.



! IMPORTANT: Ensure no White flue is visible between the flue terminal and the wall.

Section 2 - Installation

A video showing how to correctly measure and fit a flue can be found by scanning the QR Code.

SCAN
for Flue Fitting
Video's



0009

For the full range of
FLUE AND ACCESSORIES
please visit idealheating.com/flues

SCAN
for Flues and
Accessories Guide



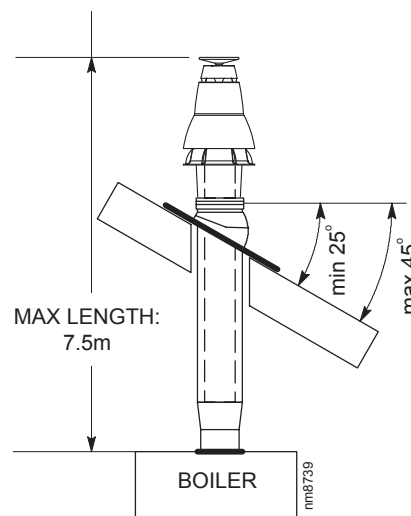
0001

2.14 ASSEMBLING THE VERTICAL FLUE

Determine the correct height that the flue should terminate above the roof. If after calculating or measuring the overall flue height from the top of the boiler, it is necessary to cut both pipes of assembly A, then ensure they are cut equally leaving the inner flue tube longer than the outer air tube as supplied.

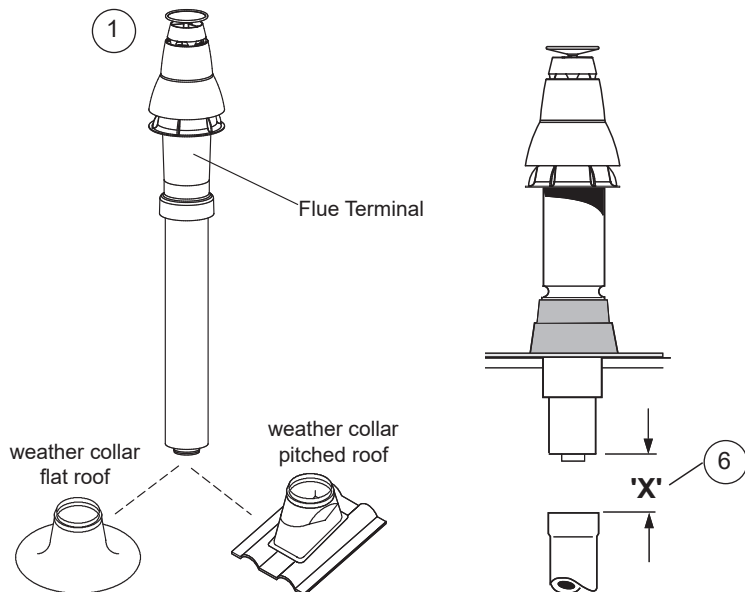
Ensure the cut pipe ends are free from any burrs.

1. Position the roof flashing plate (supplied separately) over the hole cut in the roof and insert flue terminal from the roof end.
2. Fit the vertical connector (supplied in kit) in accordance with the instructions provided.
3. Secure the vertical connector by applying downward pressure on the connector.
4. Position the clamp on the top face of the flue manifold and push it horizontally backwards. Locate both clamp lugs into the flue manifold and secure to the flue manifold with the M5 retaining screw.



Note. Check the position of the inner flue duct relative to the outer duct on the assembled extension duct(s) and ensure the terminal flue duct is cut longer than the air duct to ensure engagement in the final flue duct seal.

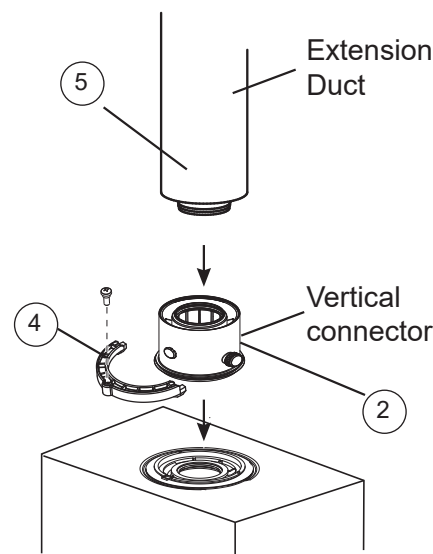
7. Finally ensure the roof flashing plate is correctly sealed to the roof.



5. Push extension duct (if required (supplied separately)) into vertical connector.

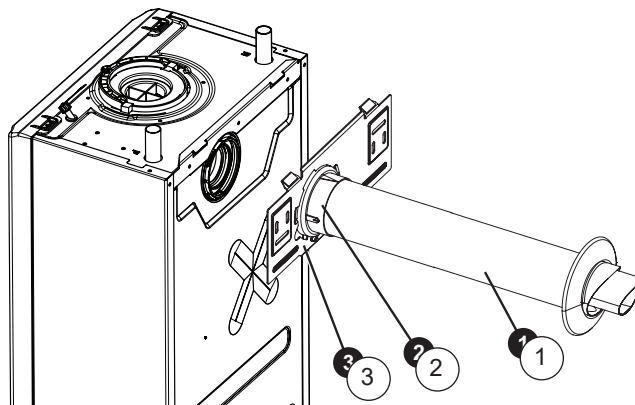
Note. Ensure turret sample points are servicable and all caps and plugs are fitted. Fill the condensate trap/siphon with water.

6. If the last extension duct requires cutting, measure 'X', the distance between the duct (outer) and the terminal, and add 100 mm to this dimension. This gives the length of the last extension duct.



2.15 REAR FLUE OUTLET KIT (55/80) ASSEMBLY - EXPLODED VIEW

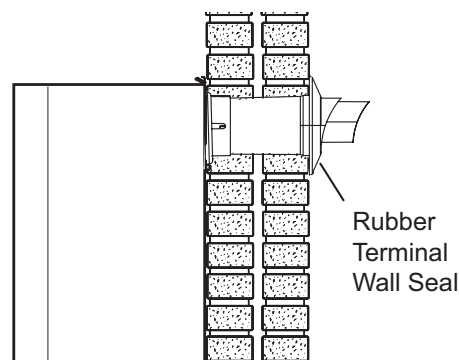
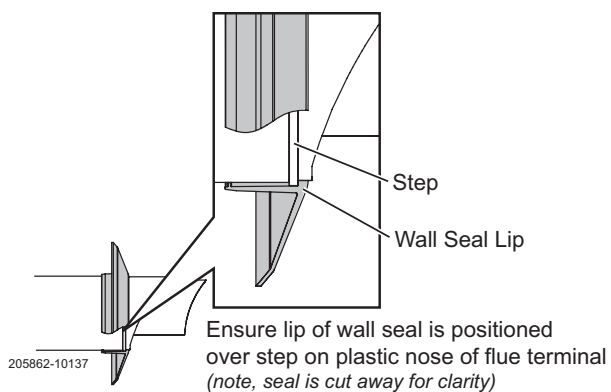
1. Rear flue (55/80)
2. Plastic Connector
3. Wall Mounting Plate



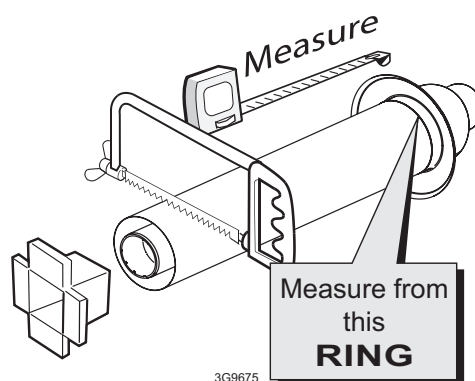
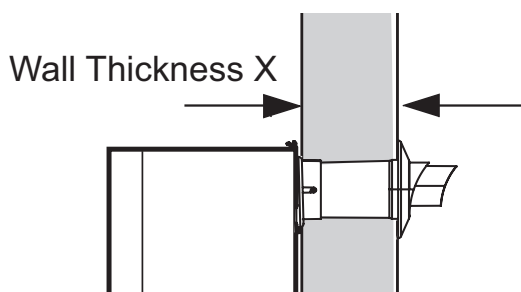
2.16 TERMINAL WALL SEAL ASSEMBLY / POSITIONING

Prior to fitting the flue, the rubber terminal wall seal provided in the flue pack MUST be fitted to the flue terminal as shown below.

Once the flue is installed it is IMPORTANT that the rubber terminal wall seal is pressed against the outside wall to create an adequate seal between the flue and wall as shown below.



2.17 SETTING THE REAR FLUE LENGTH - WALL THICKNESS OF 115 MM TO 442 MM



1. Measure and note wall thickness X.

Refer to Section 2.13

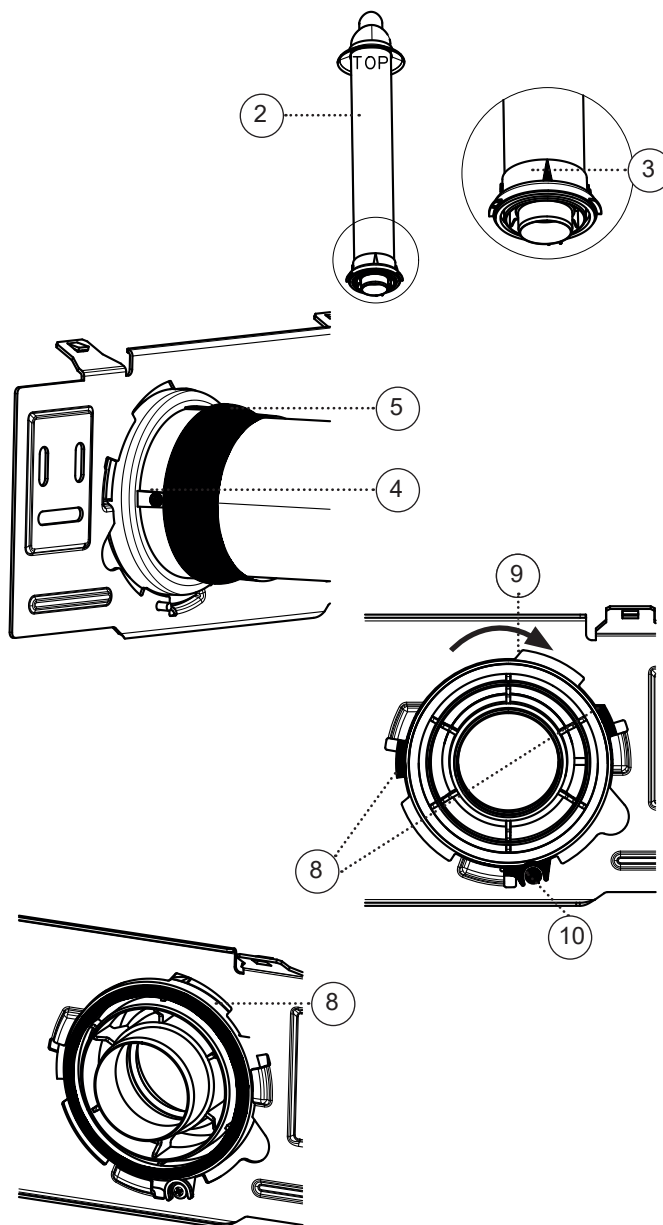
2. Add 8 mm to dimension X and, measuring from the ring, cut the outer tube only.
3. To ensure the tube is cut square, mark the flue all the way around.
4. Cut the inner tube to a length 10 mm longer to aid engagement, using the cutting aid provided.

Note. If the stand-off frame is used, it is essential to add 45 mm to 'X' the measured wall thickness when marking the flue (this will allow for the fitted frame)

2.18 FITTING THE WALL PLATE / REAR FLUE TERMINAL ASSEMBLY

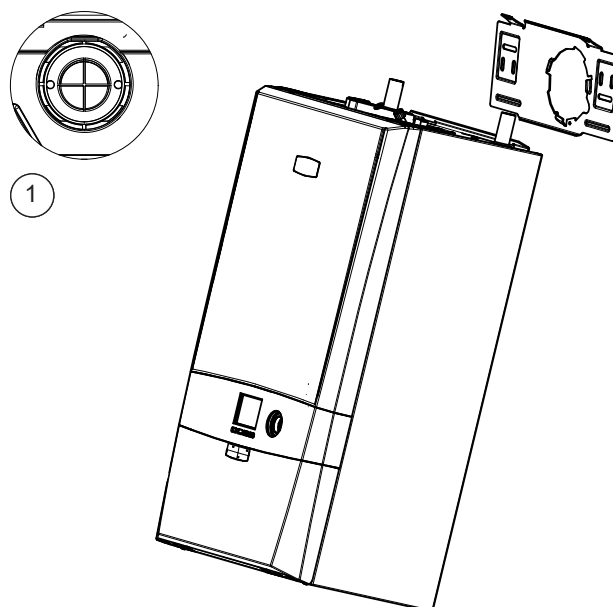
1. Ensure the rubber terminal wall seal is fitted to the terminal.

Refer to Section 2.16
2. Insert the previously cut to length terminal assembly into the plastic connector.
3. Line up the mark on the top of the plastic connector with the top of the terminal (marked with a label).
4. Drill 2 - 3.5mm dia holes through each side of the plastic connector and the air duct and fit the two self tapping screws (provided) to retain the duct terminal assembly to the plastic connector.
5. Seal the joint between the plastic connector and the terminal air duct with the tape provided.
6. Push the terminal assembly through the prepared hole in the wall until the rubber seal clears the outside wall. Rest the assembly in the hole while fitting the wall mounting plate.
7. Screw the wall mounting plate to the wall using 2 wall plugs (previously fitted) with the 2 screws provided. Choose one of the 2 sets of slots in the left and right bank. Ensure that at least one of the screws is fitted into a top slot.
8. Pull the flue assembly back through the wall mounting plate to seal against the outside wall face and ensure the 3 locating tabs are pulled through the wall mounting plate slots.
9. Turn the plastic connector clockwise to lock the connector into the wall plate.
10. Retain with the M5 screws provided.

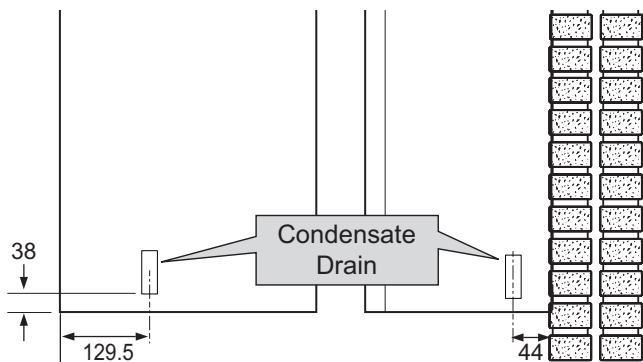


2.19 MOUNTING THE BOILER - REAR FLUE OUTLET KIT (55/80)

1. Remove the rear flue blanking disk.
2. Lift the boiler onto the wall plate, (refer to the introduction section for safe handling advice), ensuring the boiler is offered to the bracket tabs at an angle as shown below, and carefully allow the boiler to swing down to the wall as this movement engages the rear flue air and flue seal.
3. Screw the boiler bottom retaining bracket to the wall with the screw provided.
4. Remove the top flue blanking disk. Fill the condensate trap within the boiler by pouring a cupful of water into the flue outlet. Take care to ensure that the water is only poured into the flue outlet, and does not spill into the boiler casing.
5. Replace the top flue blanking disc and retain with the horseshoe bracket and fixing screw previously removed. During assembly check that the flue seals do not become dislodged.



2.20 CONDENSATE DRAIN



This appliance is fitted with a siphonic 75mm condensate trap system that requires filling before operating the appliance for the 1st time or after maintenance.

All condensate pipework should conform to the following:

- Where a new or replacement boiler is being installed, access to an internal 'gravity discharge' termination should be one of the main factors considered in determining boiler location.
- Plastic with push fit or solvent connections.
- Internal plastic pipe work a minimum of 19mm ID (typically 22mm OD).
- External plastic pipe must be a minimum of 30mm ID (typically 32 mm OD) before it passes through the sleeved wall.
- All horizontal pipe runs must fall a minimum of 52mm per metre away from the Boiler.
- External & unheated pipework should be kept to a minimum and insulated with Class "O" waterproof pipe insulation (UV Resistant).
- All installations must be carried out in accordance to the relevant connection methods as shown in the "Condensate installation diagrams" & BS6798.
- Pipework must be installed so that it does not allow spillage into the dwelling in the event of a blockage (through freezing)
- All internal burrs should be removed from the pipe work and any fittings.

In order to minimise the risk of freezing during prolonged very cold spells, one of the following methods of terminating condensate drainage pipe should be adopted.

Internal Drain Connections

Wherever possible, the condensate drainage pipe should be routed to drain by gravity to a suitable internal foul water discharge point such as an internal soil and vent stack or kitchen or bathroom waste pipe etc.

Refer to Fig.
1 & 2

Condensate Pump

Where gravity discharge to an internal termination is not physically possible or where very long internal pipe runs would be required to reach a suitable discharge point, a condensate pump of a specification recommended by the boiler or pump manufacturer should be used terminating into a suitable internal foul water discharge point such as an internal soil and vent stack or internal kitchen or bathroom waste pipe etc.

Refer to Fig.
3

External Drain Connections

The use of an externally run condensate drainage pipe should only be considered after exhausting all internal termination options as described previously. An external system must terminate at a suitable foul water discharge point or purpose designed soakaway. If an external system is chosen then the following measures must be adopted:

The external pipe run should be kept to a minimum using the most direct and "most vertical" route possible to the discharge point, with no horizontal sections in which condensate might collect.

- For connections to an external soil/vent stack. Insulation measures as described should be used.

Refer to Fig.
4

- When a rainwater downpipe is used, an air break must be installed between the condensate drainage pipe and the downpipe to avoid reverse flow of rainwater into the boiler should the downpipe become flooded or frozen.

Refer to Fig.
5

- Where the condensate drain pipe terminates in a purpose designed soakaway (see BS 6798) any above ground condensate drain pipe sections should be run and insulated as described above.

Refer to Fig.
6

- Where the condensate drain pipe terminates over an open foul drain or gully, the pipe should terminate below the grating level, but above water level, to minimise "wind chill" at the open end. The use of a drain cover (as used to prevent blockage by leaves) may offer further prevention from wind chill.

Unheated Internal Areas

Internal condensate drain pipes run in unheated areas, e.g. lofts basements and garages, should be treated as external pipe.

Ensure the customer is aware of the effects created by a frozen condensate and is shown where this information can be found in the user manual.

2.21 CONDENSATE DRAIN - CONTINUED

Figure 1 - Connection of Condensate Drainage Pipe to Internal Soil & Vent Stack

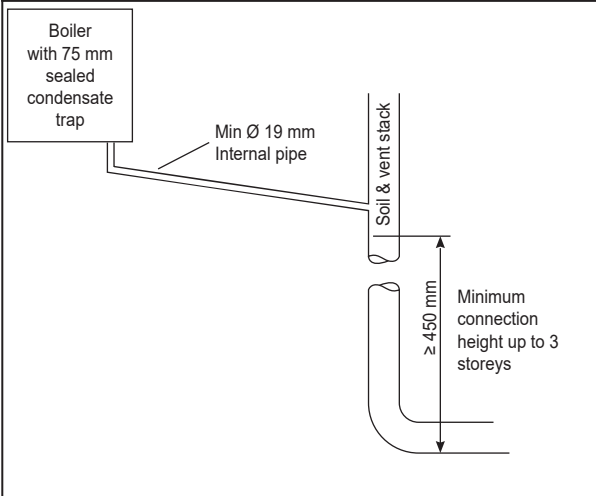


Figure 2 - Connection of a Condensate Drainage Pipe Downstream of a Sink, Basin, Bath or Shower Water Trap to Internal Soil Vent Stack

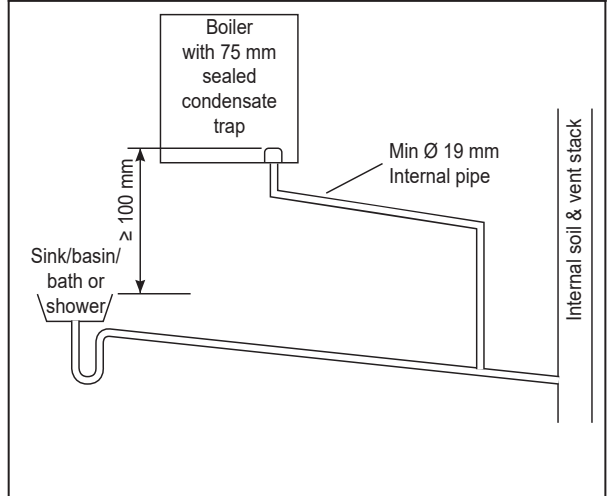


Figure 3 - Connection of a Condensate Pump Typical Method (see manufacturer's detailed instructions)

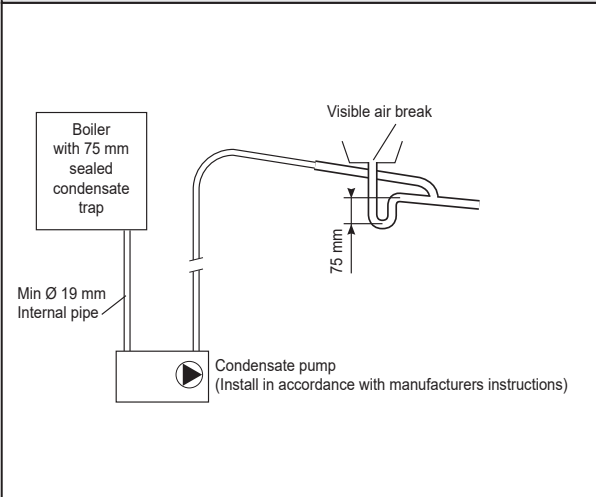


Figure 4 - Connection of Condensate Drainage Pipe to External Soil & Vent Stack

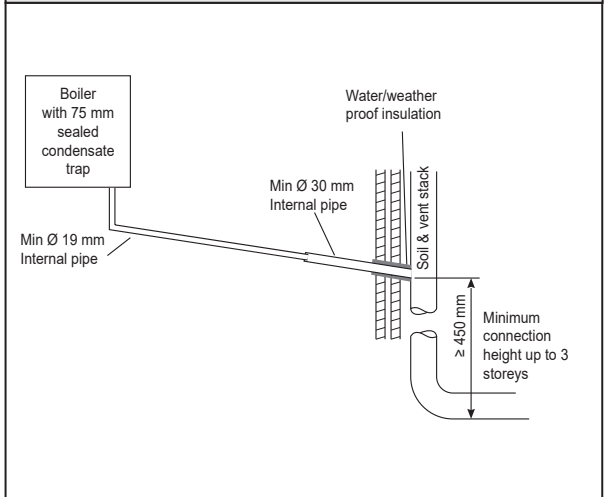


Figure 5 - Connection of a Condensate Drainage Pipe to an External Rainwater Downpipe (only combined foul/rainwater drain)

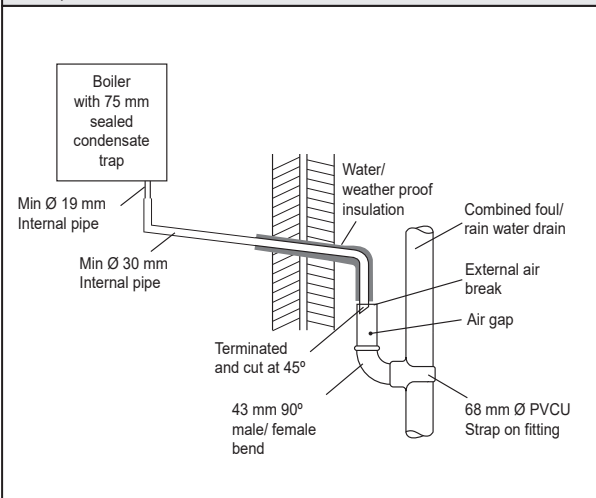
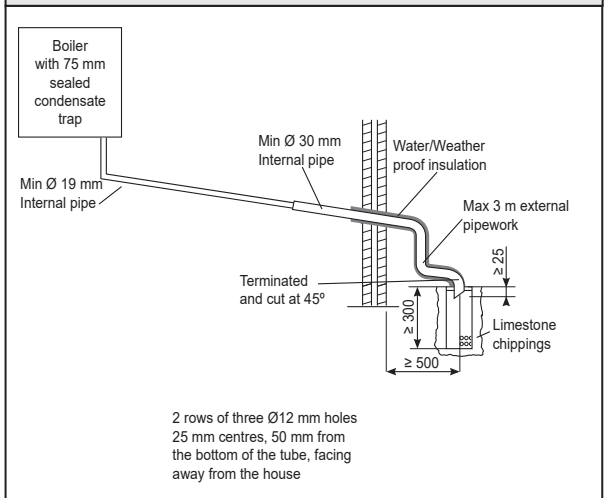


Figure 6 - Connection of a Condensate Drainage Pipe to an External Purpose Made Soakaway.



2.22 CONNECTIONS

Ensure all boss blanking plugs are removed before connecting hardware.

WATER CONNECTIONS

The boiler flow and return pipes are supplied fitted to the boiler and ready for top connection.

Top Connection

Connect the system pipework to the boiler flow and return pipes using compression fittings.

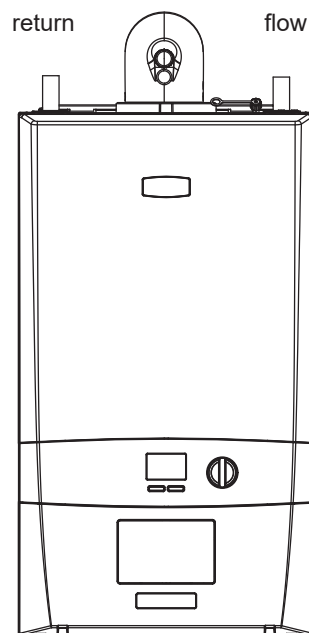
An optional stand-off kit is available where system pipework needs to be taken downwards.

GAS CONNECTION

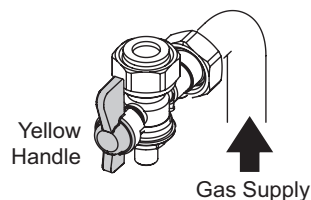
! IMPORTANT The gas service cock is sealed with a non-metallic blue fibre washer, which must not be overheated when making capillary connections.

For details of the position of the gas connection:

Refer to Gas Supply
1.10



All isolation handles are shown in the open position.



2.23 ELECTRICAL CONNECTIONS

! WARNING: This appliance must be earthed

A mains supply of 230 V ~ 50Hz is required.

The fuse rating should be 3 A. All external controls and wiring must be suitable for mains voltage.

Wiring external to the boiler must follow current IET (BS7671) wiring regulations and current ETCI rules for electrical installations.

Wiring should be 3 core PVC insulated cable, not less than 0.75 mm² (24 x 0.2 mm), and to BS 6500 Table 16.

The mains supply to the boiler and system wiring centre shall be through one common fused double pole isolator. For heating systems, and where practicable replacement boiler installations, the isolator shall be situated adjacent to the appliance.

Note. The appliance must be wired with a permanent live supply or the boiler warranty will be invalid.

2.24 INSTALLER WIRING

The boiler must be connected to a permanent live supply which must NOT be switched by thermostats / programmers.

To install the mains cable;

1. Isolate the mains supply to the boiler.
2. Remove the front panel.

Refer to Section
3.4

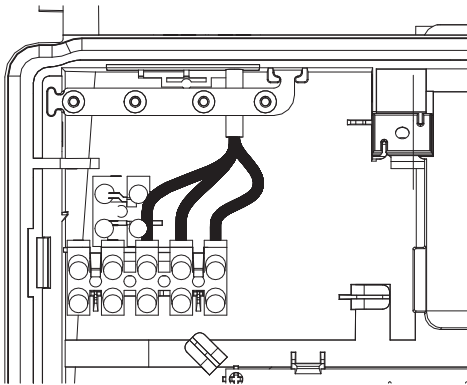
3. Swing the control box down into the service position, unclip and swing back the installer wiring cover to latch into the retaining clips.

4. Route incoming cable through a grommet in the bottom panel, (note that the grommets are "blind" and will require puncturing) and securing using the strain relief.
5. Connect the mains cable to the terminal block as shown.
6. Close the installer wiring cover ensuring that it is located correctly and that the cable is retained into the strain relief as shown.
7. Swing the control box back up into the operating position and re-fit the front panel ensuring a good seal is made.

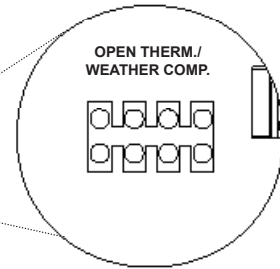
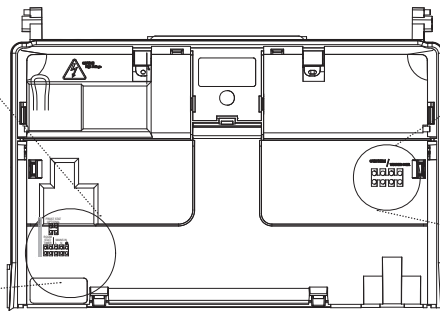
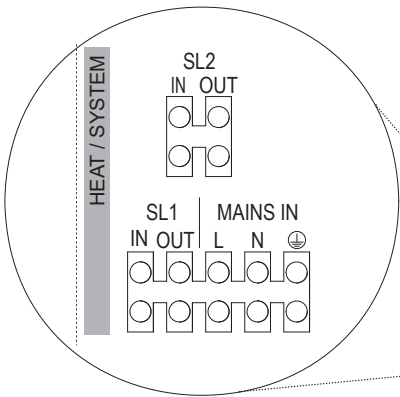
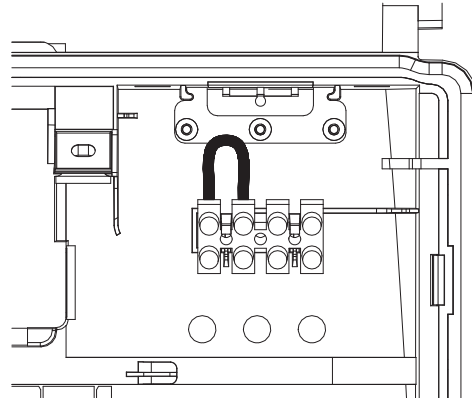
2.25 INSTALLER WIRING - CONTINUED

When making the mains electrical connections to the boiler it is important that the wires are prepared in such a way that the earth conductor is longer than the current carrying conductors, such that if the cord anchorage should slip, the current carrying conductors become taut before the earthing conductor.

Installer Connections (LHS)



Installer Connections (RHS)



Pump Overrun

Logic Heat² boilers do not have an integral pump and depend on a system pump for water circulation. There are occasional overhear lockout issues due to having no pump overrun, when fitted on systems which do not allow natural circulation to dissipate any excess residual heat.

Overheat lockout issues typically occur when the flow and return pipes do not have a sufficient vertical length from the boiler, but turn 90° and run horizontally close to the top of the boiler.

A pump overrun kit (221792) is available to provide extra protection from overheating and is recommended on systems most at risk.

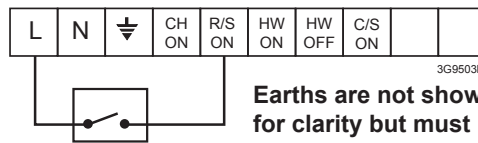
This pump overrun kit contains a capacitor which allows the water to circulate through the boiler 4 minutes after the boiler is switched off. This process will remove residual heat that may otherwise trip the overheat thermostat.

Frost Protection

If parts of the pipework run outside the house or if the boiler will be left off for more than a day or so then a frost thermostat should be wired into the system.

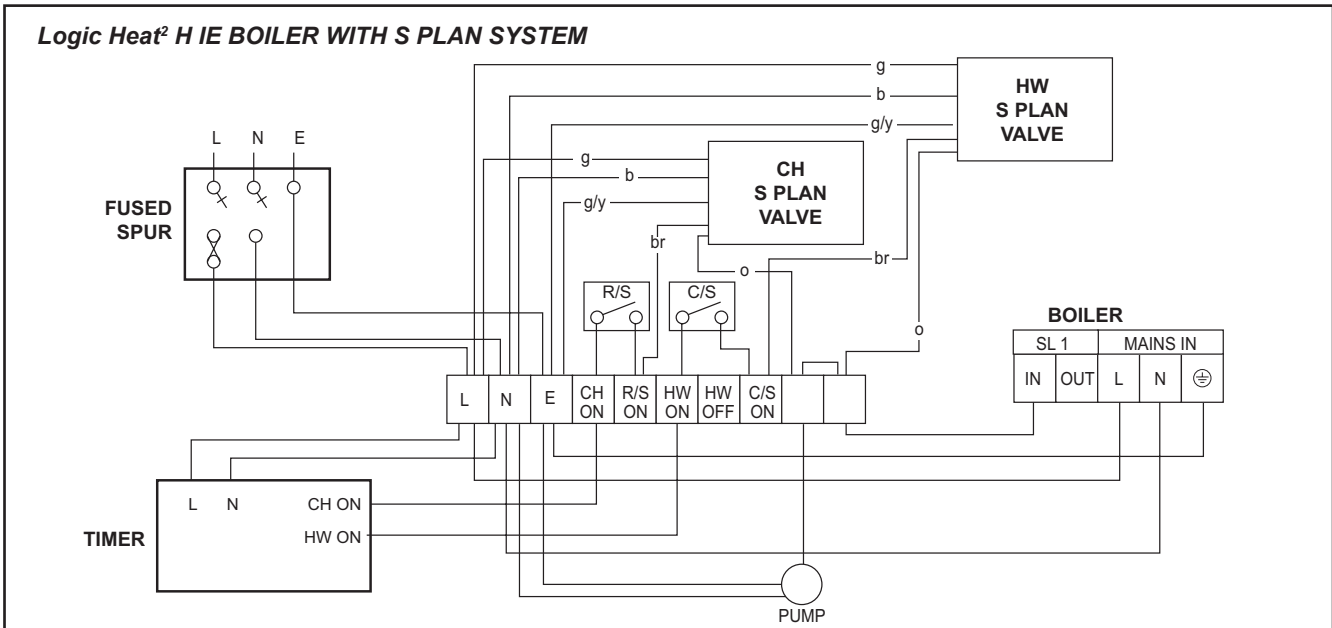
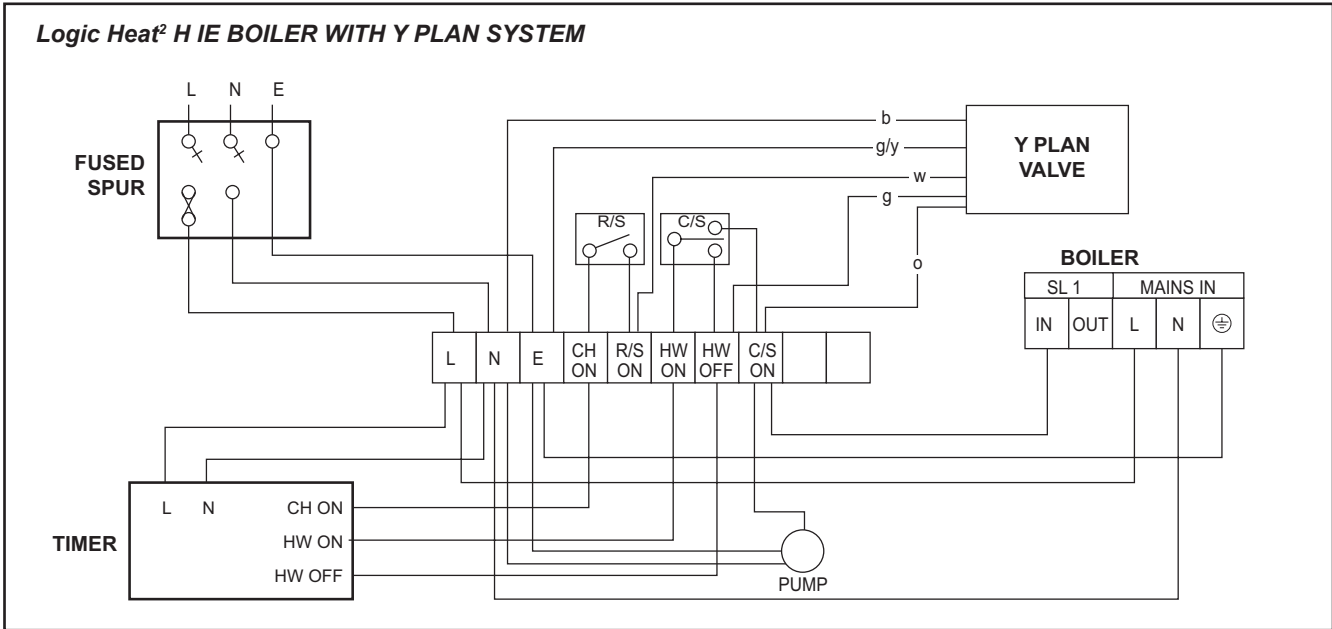
The frost thermostat should be sited in a cold place but where it can sense heat from the system.

Note. If the boiler is installed in a garage it may be necessary to fit a pipe thermostat, preferably on the return pipework.



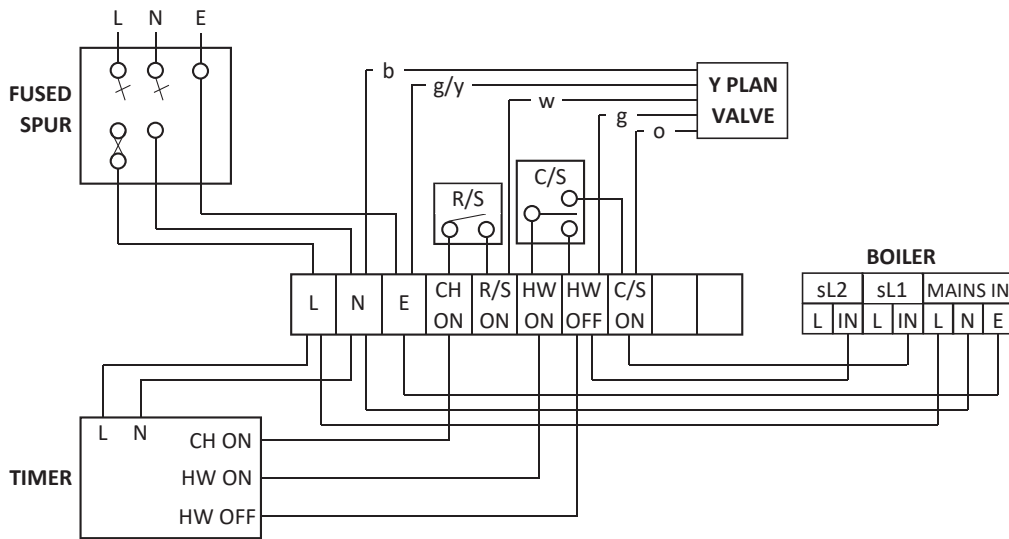
Earths are not shown for clarity but must never be omitted.

2.26 INSTALLER WIRING - CONTINUED

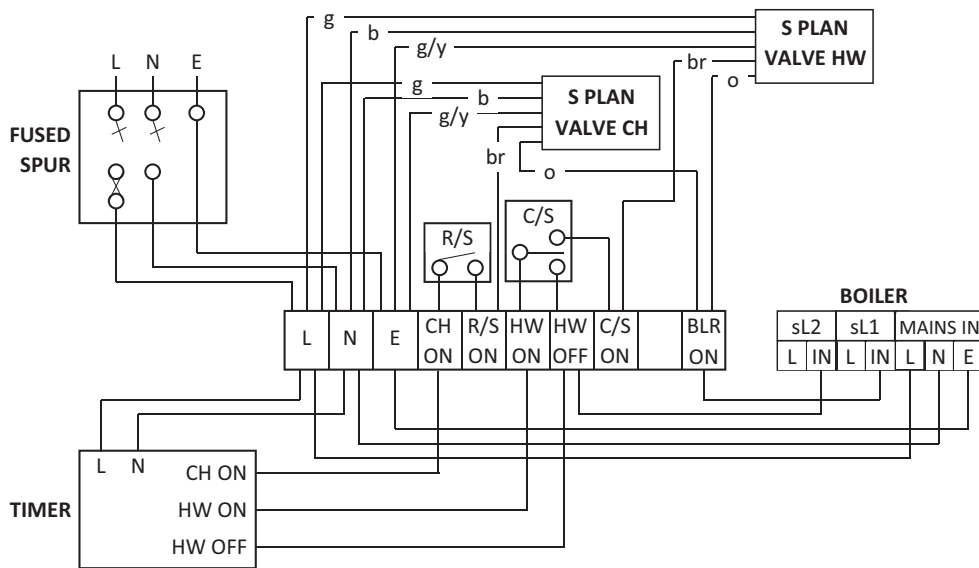


2.27 INSTALLER WIRING - CONTINUED

Logic Heat² H IE BOILER WITH Y PLAN SYSTEM (with outside sensor OR 2x Switched Live Operation)



Logic Heat² H IE BOILER WITH S PLAN SYSTEM (with outside sensor OR 2x Switched Live Operation)

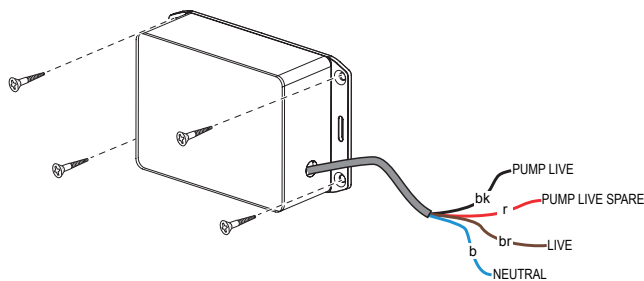


2.28 PUMP OVERRUN - INSTALL

Refer to Section 2.25

1. Isolate the power.
2. Mount the flanged box near to the wiring centre.
3. In the wiring centre, disconnect the Pump Live and move it to a spare terminal.
4. Connect the pump overrun box leads as follows:
 - BLACK - to the terminal that you have just removed the pump live from.
 - RED - to the Pump Live spare terminal.
 - BROWN - to supply live.
 - BLUE - to supply neutral.
5. Power up and test.

The pump overrun time is set to 4 minutes.



Pump Overrun Unit

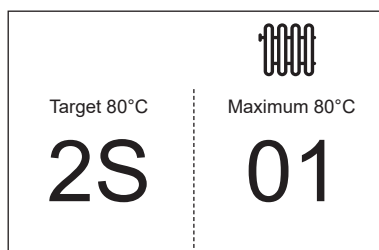
2.29 ELECTRICAL CONTROLS

2x Switched Live Operation

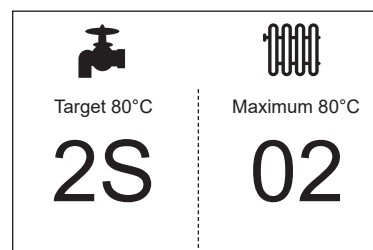
For a boiler without an Outside Sensor connected, it can be set to operate with 2x Switched Live control via the menu.

When this feature is turned on:

- sL1 is the CH/DHW demand input:
 - 0V = CH/DHW demand **Off**, 240V = CH/DHW demand **On**
- sL2 becomes the DHW demand input:
 - 0V = DHW demand **On**, 240V = DHW demand **Off**

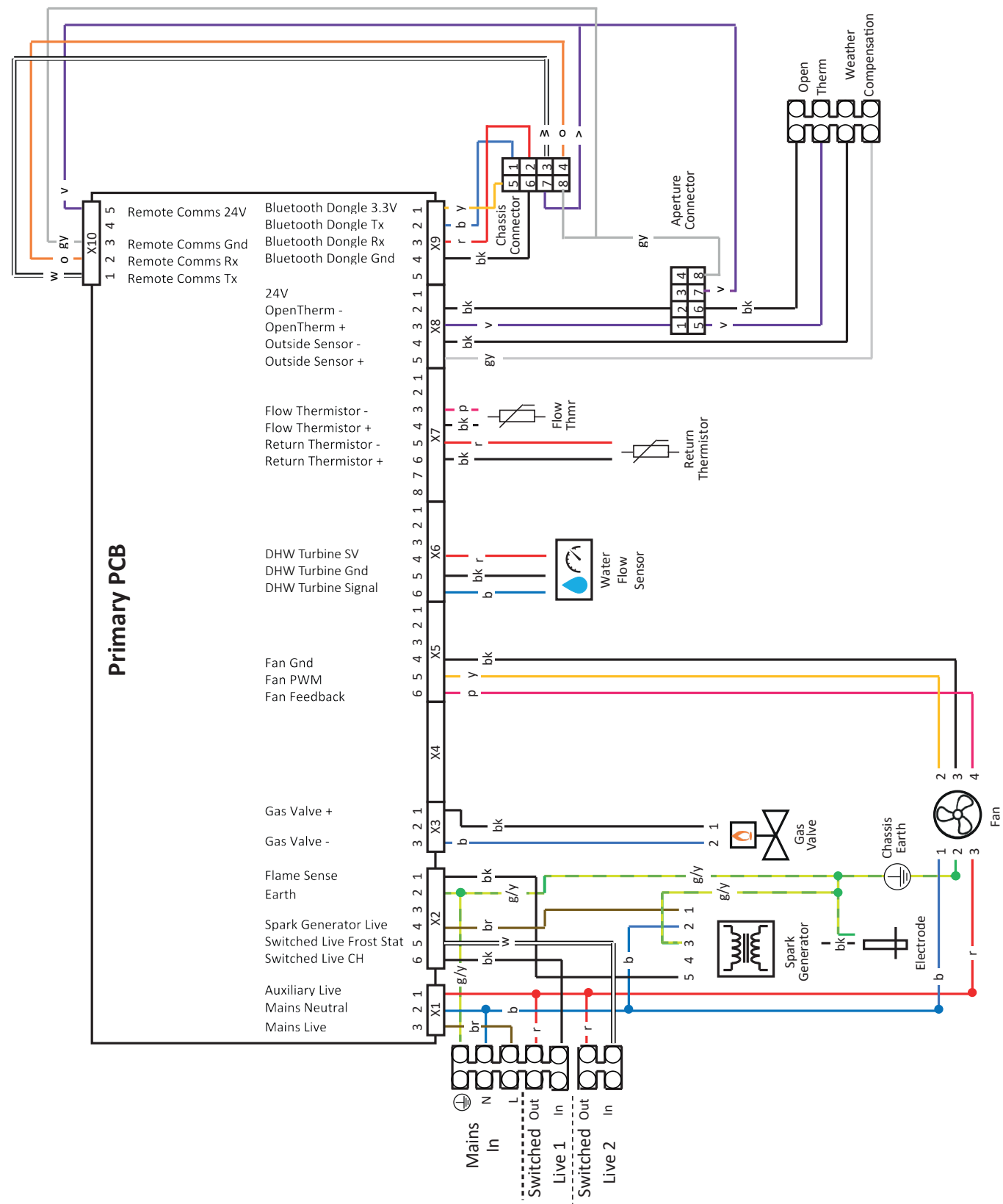


1x Switched Live Mode selected.



2x Switched Live Mode selected.

2.30 WIRING DIAGRAM



- Key**
- bk: Black
 - gy: Grey
 - r: Red
 - g: green
 - b: blue
 - br: brown
 - g/y: green/yellow
 - o: orange
 - p: pink
 - v: violet
 - y: yellow
 - w: white

2.31 COMMISSIONING AND TESTING

A. Electrical Installation

WARNING: Electrical safety checks should be carried out by a qualified person.

Complete preliminary electrical system checks.

General

The combustion for this appliance has been checked, adjusted and preset at the factory for operation on the gas type defined on the appliance data plate.

Do not adjust the air / gas ratio valve.

Check the following:

1. The boiler has been installed in accordance with these instructions.
2. The integrity of the flue system and the flue seals, as described in the Flue Installation Section.

Proceed to put the boiler into operation as follows:

1. Check the operational gas inlet pressure.
2. Set up the boiler to operate at maximum rate by opening hot tap to maximum flow.
3. With the boiler operating in the maximum rate condition, check that the operational gas pressure at the inlet gas pressure test point complies with the requirements.
4. Ensure that this inlet pressure can be obtained with all other gas appliances in the property working.

Refer to Gas Supply
page 10

Intelligent Load Optimisation

Intelligent Load Optimisation is a feature enabled on the boiler to reduce cycling on and off and behaves as follows.

With an active CH demand (e.g. Switched Live on), if the Flow Temperature reaches the CH Target + 4°C then the boiler switches off and the Intelligent Load Optimisation function is activated. This can happen if the system load is less than the minimum output of the boiler.

If the CH demand is still active, when the boiler lights again it immediately modulates down to the minimum rate over 60s and then stays at the minimum for 10 minutes.

Normal operation resumes after either of the following conditions are met:

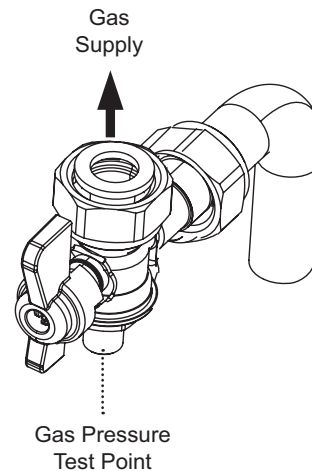
- After 10 minutes of operation at minimum rate.
- The CH demand is off for more than 1 hour.

IMPORTANT: A condition of the manufacturer's warranty is that Benchmark commissioning process is completed. The flow chart is provided on page 61.

B. Gas Installation

WARNING: Open windows, doors and extinguish flames before starting the next steps. Do not smoke.

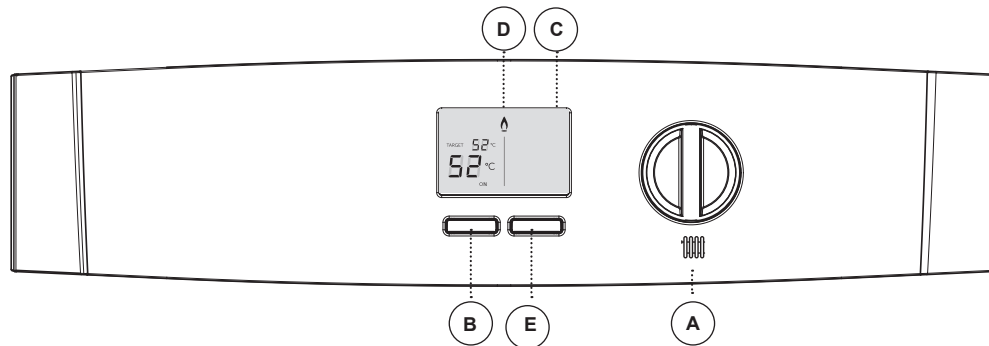
1. The whole of the gas installation, including the meter, should be inspected and tested for tightness and purged in accordance with BS.6891 and in IE, IS.813:2002.
2. Purge air from the gas installation by the approved methods only.



2.32 INITIAL LIGHTING

Legend

- A. Temperature Knob
- B. Mode Button
- C. Boiler Status Display
- D. Burner On indicator
- E. Restart Button
- H. Gas Inlet Pressure Test Point
- J. Gas Service Cock



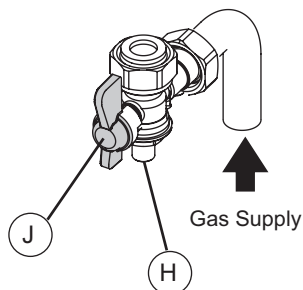
IMPORTANT Do not operate the appliance before it has been fully vented of air. If it is necessary to operate the pump, do so with the gas service cock turned off.

The boiler incorporates a fan overrun cycle which must not be interrupted by isolation of electricity supply.

1. Check that the system has been filled and that the boiler is not airlocked.
2. Refit the boiler front panel.

Refer to Section
3.4

3. Check that the drain valve is closed.
4. Press the Mode button (B) until Off is shown at the bottom of the screen (boiler off).
5. Switch the electrical supply OFF.
6. Check that the gas service cock (J) is OPEN.
7. Slacken the screw in the inlet pressure test point (H) and connect a gas pressure gauge via a flexible tube.
8. Switch the electricity supply ON and check all external controls are calling for heat.



9. Press the Mode button (B) until Off is not shown at the bottom or the screen. Turn the Temperature Knob until 80°C is shown. The boiler control will now go through its ignition sequence until the burner is established.
10. If the boiler does not light then after 5 attempts the boiler will lock out and display fault code L 02.
11. Press the Restart Button (E). The boiler will repeat its ignition sequence. If Restart occurs 5 times within 15 minutes then L 0C will be shown. If power is removed this will be restarted.
12. When the burner is established the flame symbol (D) will be shown on the display and the current flow temperature will be shown in large digits.
13. Ensure that with the burner on, the dynamic gas pressure is able to obtain maximum output. Refer to Table 2.
14. Replace the screw in the inlet pressure test point and check for gas soundness.

IMPORTANT The gas input to the burner is regulated by the gas valve according to the air flow produced by the fan. It is NOT user-adjustable. Any interference to sealed settings on the gas valve will adversely affect operation and render our warranty void.

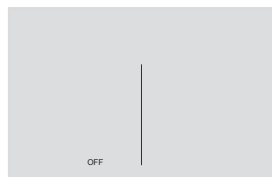
Refer to Gas Supply
page 10

Note. The boiler incorporates a fan overrun cycle which MUST NOT be prematurely interrupted by isolation of the mains electricity supply.

2.33 THE DISPLAY

The user control has one display to inform the user about the status of the boiler. The display shows the status of the flame. If no flame is detected then flame symbol will not be visible. When the flame is detected the flame symbol will be visible permanently.

Below is a list with display function.

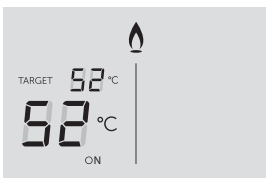


Boiler Off Mode

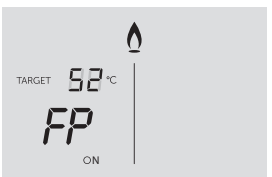
Press the Mode button to enable CH.



Boiler On Mode, no Heat Demand



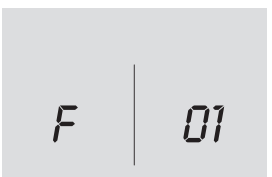
Boiler is active for Central Heating



Boiler is active for boiler frost protection: operates if the ambient temperature is below 5°C until it reaches 19°C.



Boiler is in Lockout for a specific error. Display will show a number after the "L" to indicate which error is detected



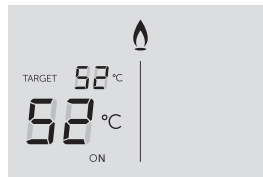
Boiler has a fault for a specific error. Display will show a number after the "F" to indicate which error is detected.

2.34 GENERAL CHECKS

Make the following checks for correct operation:

CENTRAL HEATING (CH) MODE

1. Ensure that the external controls are calling for heat. The display should show:-



2. Gas Rate

Check the boiler gas rate when the boiler is at maximum output.

Check at the gas meter, with no other appliance in use. Refer to Table 2 for gas rates.

3. Set the external controls to OFF. The burner should go off and the pump continue to run for two minutes.

The display should show:



4. Check the correct operation of the timer (if fitted) and all other system controls. Operate each control separately and check that the main burner responds.

2.35 GENERAL CHECKS CONTINUED - WATER CIRCULATION

WATER CIRCULATION SYSTEM

1. With the system COLD, check that the initial pressure is correct to the system design requirements.

For pre-pressurised systems, this should be 1.0 bar.

2. With the system HOT, examine all water connections for soundness. The system pressure will increase with temperature rise but should not exceed 2.5 bar.
3. With the system still hot, turn off the gas, water and electricity supplies to the boiler and drain down to complete the flushing process.

Note. A flushing solution should be used during the flushing procedure. Flushing solutions: Fernox Superfloc, Sentinel X300 (new systems) or X400 (existing systems).

Refer to Section
1.22

4. Refill and vent the system, add inhibitor (Refer to section 1.20), clear all air locks and again check for water soundness.
5. Reset the system initial pressure to the design requirement.
6. Balance the system.

Refer to Section
1.21

7. Check the condensate drain for leaks and check that it is discharging correctly.
8. Finally, set the controls to the User's requirements.

WATER TEMPERATURES

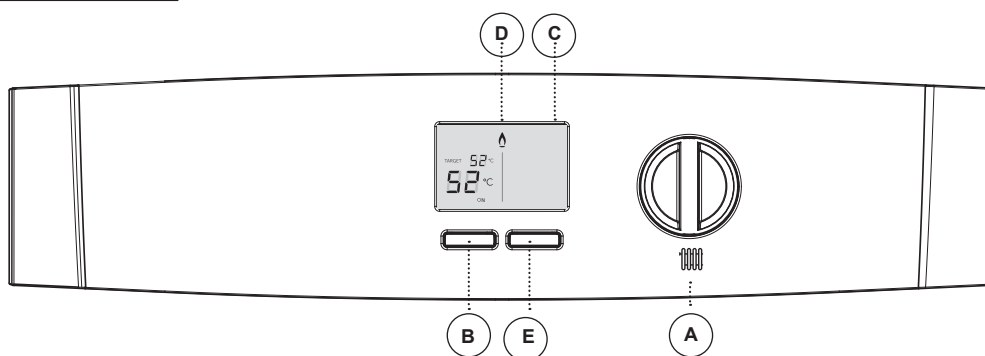
Temperatures can be selected using the Temperature Knob (A)

	No Outside Sensor	Outside Sensor Connected
Temp Knob Setting	CH Flow Temp °C	Nominal Room Temp. °C
Max	80	30
Min	30	10

2.36 RESTART PROCEDURE

Legend

- A. Temperature Knob
- B. Mode Button
- C. Boiler Status Display
- D. Burner On indicator
- E. Restart Button



If an L code is shown on the display then the boiler can be restarted by pressing the Restart button (E).

2.37 ACCESSING THE INSTALLER MODE

To access Installer Mode, press the "MODE" and "RESTART" buttons together for more than 5s.

1. The last 3 faults will be shown. See Frame 4.1 for Fault Code descriptions.

2. "PH" will be shown.

Press "MODE".

3. "SH" will be shown.

To run the burner at maximum rate press "RESTART", otherwise press "MODE".

4. "SL" will be shown.

To run the burner at minimum rate press "RESTART", otherwise press "MODE". Note that the burner will initially run at maximum rate for 30s before ramping down to minimum over 1 minute.

5. "UF" will be shown.

Press "MODE"

6. "dU" will be shown.

Press "MODE".

7. "P1" will be shown.

To set the minimum CH pump speed to 100% press "RESTART", otherwise press "MODE".

8. "P7" will be shown.

Press "MODE".

9. "SE" will be shown.

For service timer function refer to separate instructions. Press "MODE" to exit.

2.38 HANDING OVER

After completing the installation and commissioning of the system the installer should hand over to the householder by the following actions:

1. Hand the User Instructions to the householder and explain his/her responsibilities under the relevant national regulations.
2. Explain and demonstrate the lighting and shutting down procedures.
3. The operation of the boiler and the use and adjustment of all system controls should be fully explained to the householder, to ensure the greatest possible fuel economy consistent with the householder requirements of both heating and hot water consumption. Advise the user of the precautions necessary to prevent damage to the system and to the building. In the event of the system remaining inoperative during frosty conditions.
4. Explain the function and the use of the boiler heating and domestic hot water controls.
5. Explain the function of the boiler fault mode. Emphasise that if a fault is indicated refer to "Fault Codes" in the User Guide.
6. Explain and demonstrate the function of timers and temperature controls, radiator valves etc. for the economic use of the system.
7. Explain boiler restart procedure.

Refer to Section
2.36

8. After installation and commissioning please complete the Commissioning Checklist before handover to the customer.

For IE ,it is necessary to complete a "Declaration of Conformity " to indicate compliance to I.S.813:2002



Refer to
Page 59

! IMPORTANT

9. A comprehensive service should be carried out annually. Stress the importance of regular servicing by a Gas Safe Registered Engineer.
In IE servicing work must be carried out by a Registered Gas Installer (RGI)
10. Inform the householder of the guarantee/registration found within the envelope pack and then requirement to register it to receive the full benefit of the warranty.

3.1 SERVICING SCHEDULE



WARNING: Servicing can only be carried out by Gas Safe Registered Engineers
Always turn OFF the gas supply at the gas service cock, and switch OFF and disconnect the electricity supply to the appliance before servicing
Combustion testing must be carried out by a competent person using a combustion analyser conforming to BS EN 50379-3:2012.

To ensure the continued safe and efficient operation of the appliance it is recommended that it is checked at regular intervals and serviced as necessary. The frequency of servicing will depend upon the installation condition and usage but should be carried out at least annually by a Registered Gas Installer(RGII).

For the latest copy of literature, visit our website idealheating.com.

PRELIMINARY INSPECTION

1. Light the boiler and carry out a pre-service check, refer to the fault finding chart.
2. Check the flue terminal (and terminal guard if fitted) for damage and obstruction.
3. Check combustion by connecting the flue gas analyser to the flue gas sampling point as shown in the diagram and measure CO and CO₂ at maximum rate. To set the boiler to Maximum and Minimum heat inputs

Refer to
Page 60

If the CO / CO₂ ratio is greater than 0.004 please proceed to "Cleaning Procedure".

If the CO / CO₂ ratio is less than 0.004 please proceed to "Check Procedure".

CHECK PROCEDURE

1. Check all water and gas joints for signs of leakage.
Remake any suspect joints ensuring a gas tightness check is carried out if applicable and the water system is correctly refilled, vented and re-pressurised.
2. Proceed to "IMPORTANT".

IMPORTANT

1. If, for any reason, the condensate trap has been removed, ensure the trap is refilled with water before re-assembling.
2. After completing the servicing or exchange of components always ensure all gas valve connections are gas tight with a gas soundness check up to the gas control valve.
3. When work is complete the front panel MUST be correctly refitted, ensuring that a good seal is made.
4. Complete the service section in the Benchmark Commissioning Checklist.

GENERAL

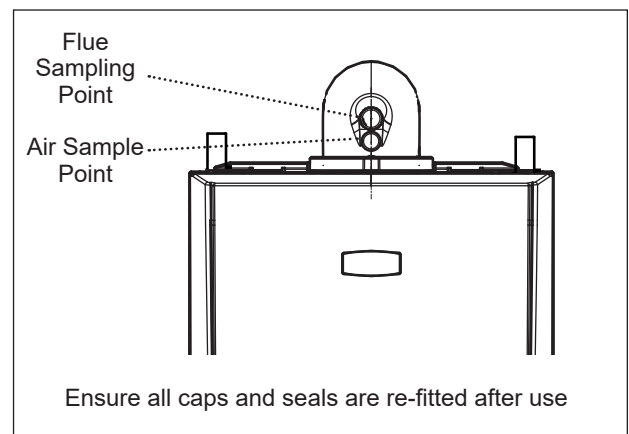
During Servicing, and after any maintenance or change of part of the combustion circuit, the following must be checked:

- The integrity of the flue system and the flue seals.
- The integrity of the boiler combustion circuit and the relevant seals.
- The operational (working) gas inlet pressure at maximum rate.
- The gas rate.
- The combustion performance.

CLEANING PROCEDURE

1. Remove the casing.
2. Visually check the appliance for signs of leakage.
3. Remove the flue manifold.
4. Remove the fan.
5. Remove the burner.
6. Refit the sump outlet cover.
7. Clean the heat exchanger by pouring warm water across the whole heat engine to flush deposits taking care to avoid pouring water over the electrode.
8. Check the electrode for damage and clean using an abrasive cloth. Check and adjust the spark gap. Replace the electrode if damaged.
9. Clean out the sump outlet to ensure any debris is removed.
10. Remove and clean the condensate trap and re-prime the trap before re-installing.
11. Re-assemble the components in reverse order.
12. Carry out post service checks on the combustion circuit. See General.
13. Check the system water quality in accordance with BS7593:2019.
14. Complete the service record in the Benchmark section.

Do not operate the boiler if the front panel is not fitted.



3.2 REMOVAL / REPLACEMENT OF COMPONENTS

WARNING: Do not operate the boiler without a front panel fitted

When replacing any component.

1. Isolate the electricity supply.
2. Turn off the gas supply.
3. Remove the boiler front panel.

Refer to Section
3.4

4. Swing the control box down into its servicing position.

After removing / replacing any component.

5. Ensure all gas valve connections are gas tight with a gas soundness check up to the gas control valve.
6. Ensure all water connections are tight.
7. Test the appliance for correct and safe operation.

Refer to Section
3.1 (General)

Notes.

1. In order to assist fault finding, the control panel has an LCD diagnostic display. The key to boiler fault conditions is shown in Section 4.
2. In order to replace components in Sections 3.17 and 3.19, it is necessary to drain the boiler.

Refer to Section
3.3

3.3 DRAINING THE BOILER

Refer to Section
3.2

CENTRAL HEATING CIRCUIT

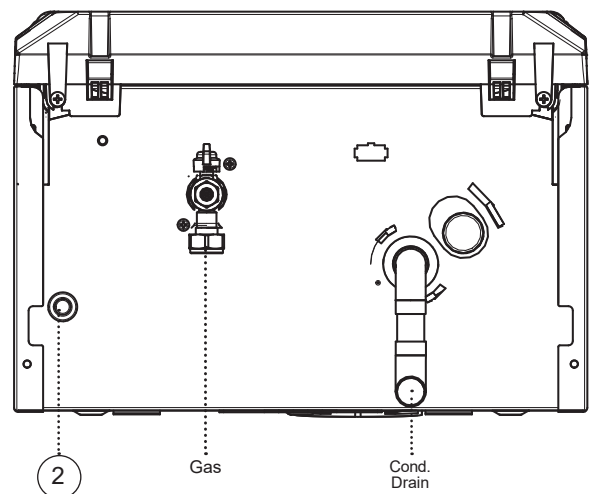
1. Close all the CH water isolating valves on both the flow and return.
2. To drain the primary heat exchanger circuit: Remove rubber plug from the base and drain the boiler using the drain point.

Refer to Section
3.19

3. After replacing any component on the boiler, remove the hose, close the drain valve and open all system isolating valves. Refit the rubber plug to the base to maintain case sealing. Repressurise before proceeding to check operation of the boiler.

4. Check that the boiler operates.

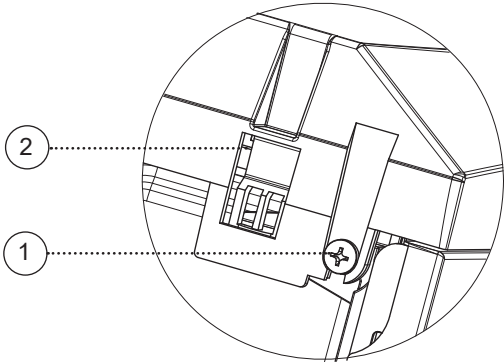
Refer to Section
2.33 & 2.34



3.4 BOILER FRONT PANEL REMOVAL / REPLACEMENT

REMOVAL

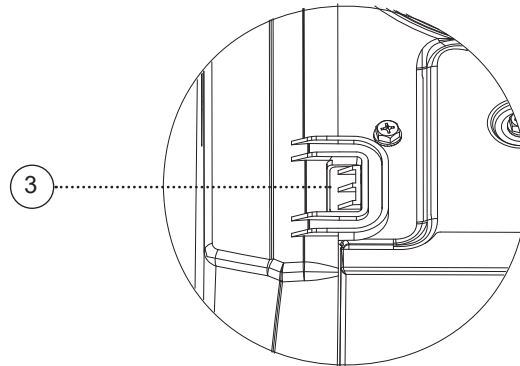
1. Loosen the two screws retaining the front panel.
2. Pull the two clips down to disengage and pull panel forward and upward and remove.



View from bottom of boiler

REPLACEMENT

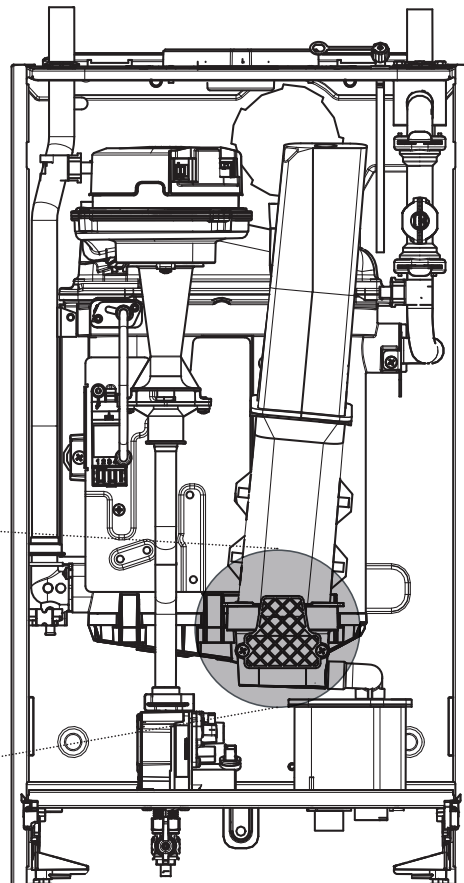
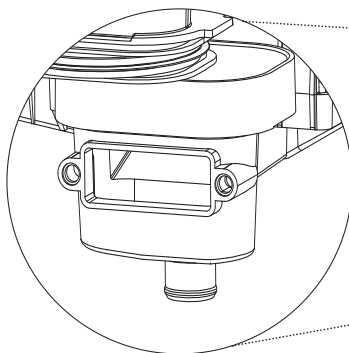
3. Hook the panel onto the top retaining clips.
4. Push the panel until the 2 bottom spring clips engage ensuring the 1 knob and 2 buttons line up with the holes in the front panel.
5. Re-tighten the two retaining screws.



View from top of boiler

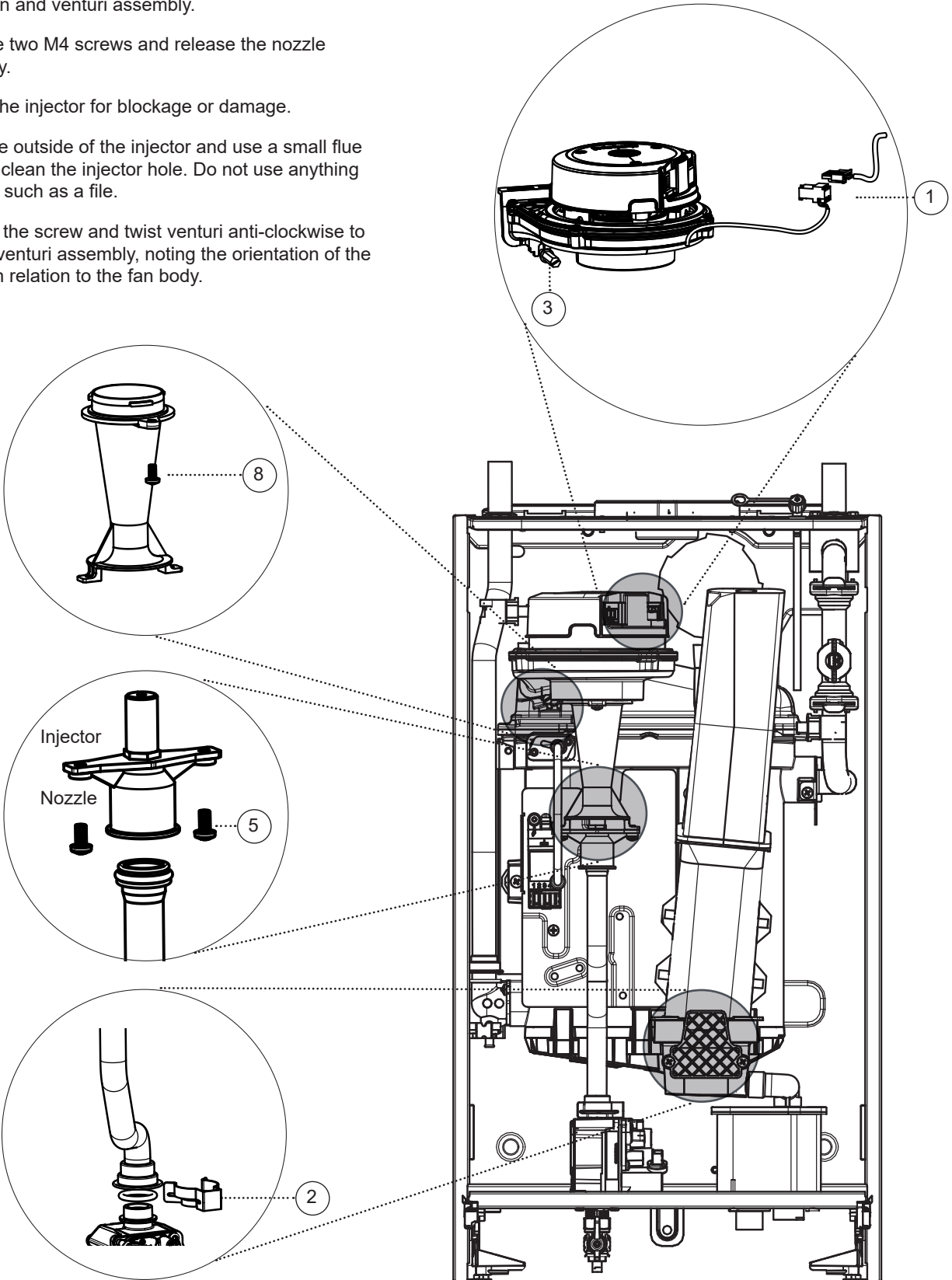
3.5 FLUE MANIFOLD REMOVAL/REPLACEMENT

1. Remove the two sump cover retaining screws
2. Remove the sump cover
3. Lift the manifold upwards to clear the sump
4. Move the manifold to the left and pull down to remove



3.6 FAN AND VENTURI ASSEMBLY REMOVAL AND CLEANING

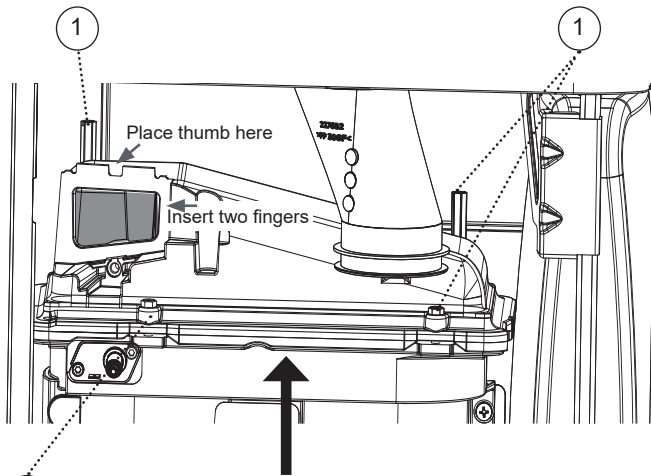
1. Disconnect the electrical leads from the fan.
2. Remove the clip from the gas control valve outlet and ease the pipe upwards. Rotate and then ease down to remove.
3. Remove the extended nut on the fan mounting bracket.
4. Lift off fan and venturi assembly.
5. Undo the two M4 screws and release the nozzle assembly.
6. Inspect the injector for blockage or damage.
7. Clean the outside of the injector and use a small flue brush to clean the injector hole. Do not use anything abrasive such as a file.
8. Remove the screw and twist venturi anti-clockwise to remove venturi assembly, noting the orientation of the venturi in relation to the fan body.
9. Inspect fan outlet sealing gasket and replace if necessary.
10. Ensure the venturi is free from dust/debris.
11. Check the 'O'-rings are fitted correctly to the gas outlet pipe replacing if any damage is witnessed.



3.7 BURNER REMOVAL AND CLEANING

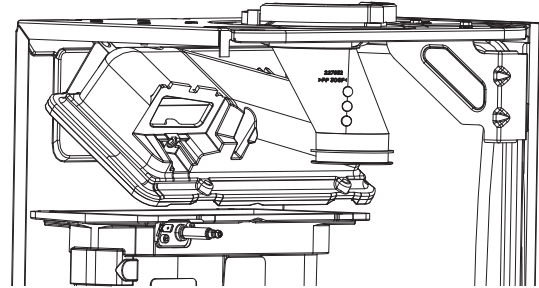
Refer to Section
3.4

1. Remove the 2 burner front fixing screws and the 2 rear extended nuts.
2. Lift and pull forward the burner from the combustion chamber by holding the burner with two finger in the air inlet duct and your thumb on the top of the burner.
3. Tilt the burner towards yourself so that it raises to the vertical position.

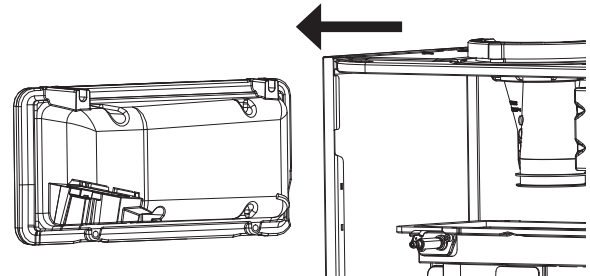


- 1 Lift the burner approximately 5 to 10 mm from the heat engine and then pull forward by the same amount.

4. Pull the burner out from the left hand side of the boiler once it is in the vertical position.



5. Carefully brush the ceramic burner with a soft non metallic bristle brush.



SCAN
for video

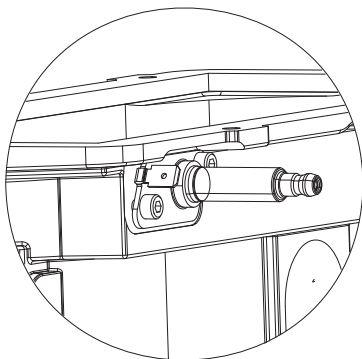


3.8 CLEANING THE HEAT EXCHANGER

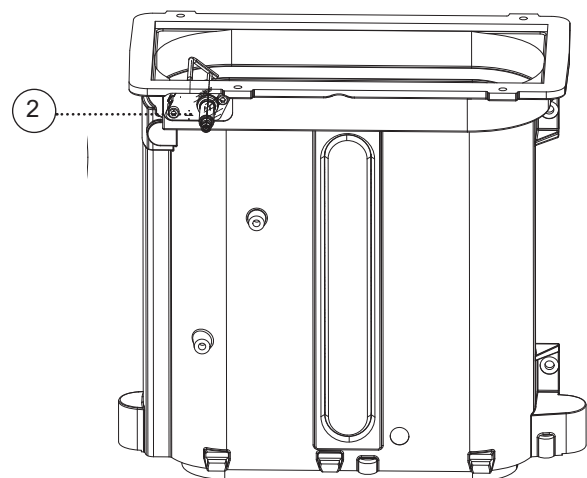
1. Replace the sump cover prior to the water flush process.
2. Thoroughly flush the heat exchanger by pouring water into the top of the combustion chamber ensuring the full surface of the heat exchanger is cleaned. Avoid pouring water over the electrode.
3. Remove the sump cover and clean loose deposits from the sump.

4. Inspect the ignition/detection electrode. Ensure that it is clean and in good condition - replace if necessary.
5. Check that the ignition gap is correct.

Refer to Section
3.9



Combined Ignition Detection Electrode



3.9 IGNITION / DETECTION ELECTRODE REPLACEMENT / INSPECTION

Refer to Section
3.2

1. Remove the fan.

Refer to Section
3.6

2. Remove the flue manifold.

3. Remove the burner.

Refer to Section
3.7

4. When servicing the boiler inspect the condition of the electrode and check the dimensions shown. If there is damage to the electrode continue to follow steps below for replacment.

5. Unplug the ignition lead from the electrode.

6. Remove the earth lead from the electrode.

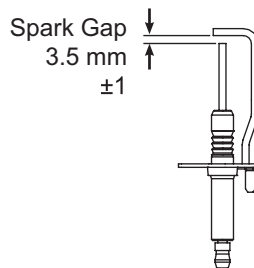
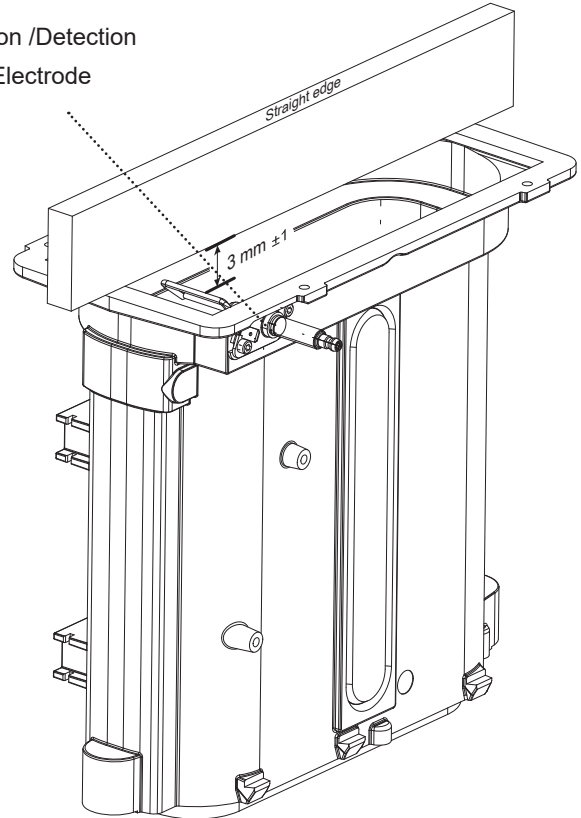
7. Remove the 2 screws holding the electrode to the combustion chamber.

8. Remove the electrode.

9. Fit the new electrode, using the new gasket supplied. Check dimensions as shown.

Refer to Section
2.34 & 2.35

Ignition /Detection
Electrode

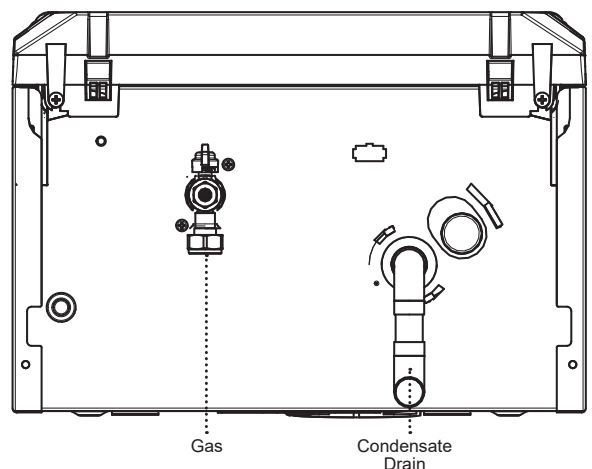
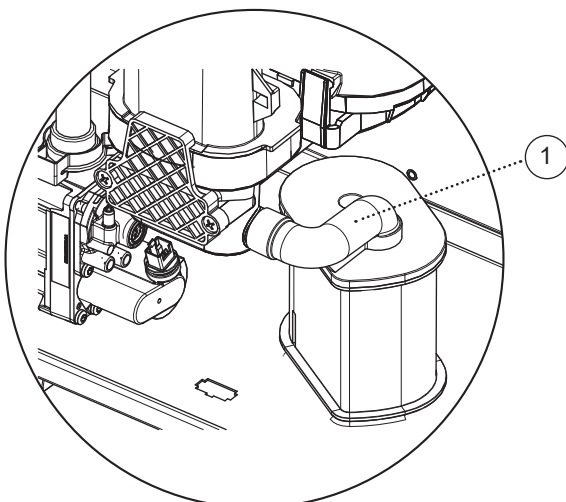
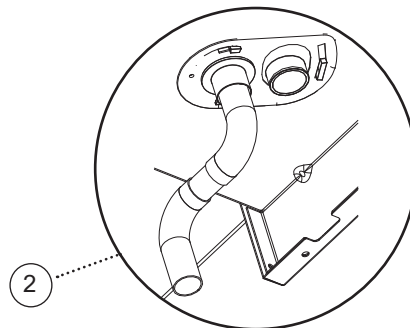


3.10 CLEANING THE CONDENSATE TRAP

CAUTION: Keep trap upright when removing

1. Pull off the rubber pipe at the sump drain.
2. Disconnect the condensate drain pipe.
3. Turn the trap clockwise to disengage and lift to remove.
4. Clean and fill trap with water.
5. Reassemble by doing the opposite in steps 3 - 1.

SCAN
for video

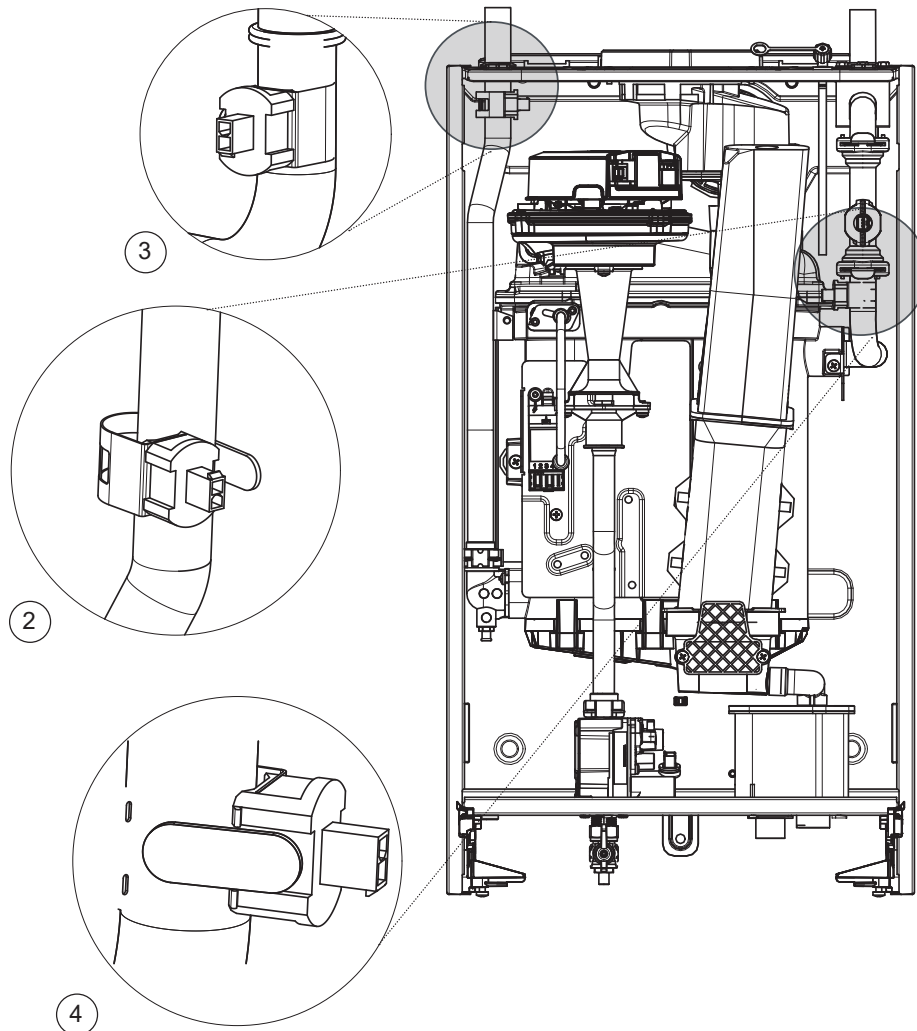


3.11 FLOW & RETURN THERMISTOR REPLACEMENT

Refer to Section
3.2

1. Disconnect the electrical leads from the thermistors.
2. Unclip the flow thermistor from the flow pipe and withdraw it from the boiler.
3. Unclip the return thermistor from the return pipe and withdraw it from the boiler.
4. Reconnect the electrical lead to the new thermistors and reassemble in reverse order, ensuring that the thermistor is securely fitted to the pipe on the thermistor locator tab as shown.
5. Check the operation of the boiler.

Refer to Section
2.35 & 2.36



3.12 BURNER INJECTOR REPLACEMENT

Refer to Section
3.6

3.13 BURNER REPLACEMENT

Refer to Section
3.2 & 3.7

SCAN
for video



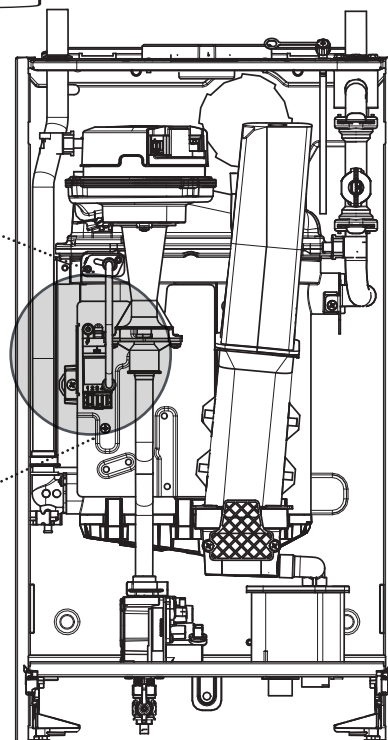
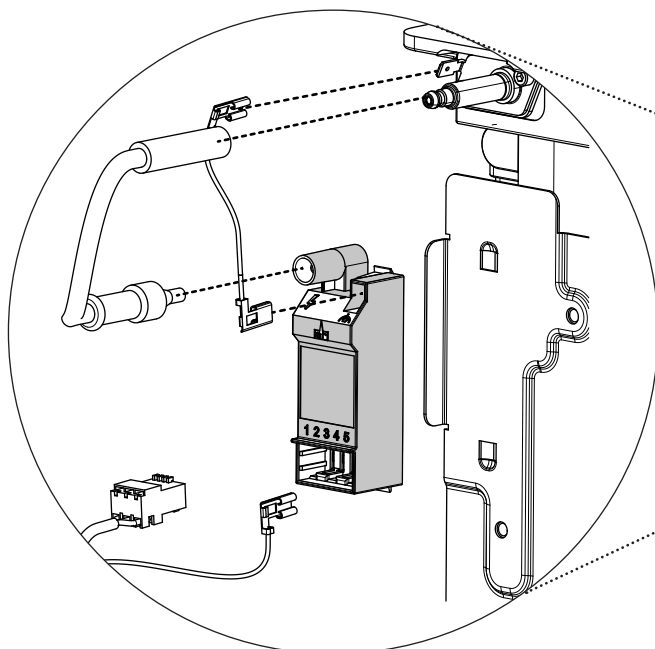
3.14 SPARK GENERATOR REPLACEMENT

Refer to Section 3.2

1. Disconnect the leads from the spark generator.
2. Gently push up the generator to release the bottom clip from the gas valve mounting bracket.
3. Lift the spark generator up and out of the bottom retaining location point.

4. Fit the new spark generator and re-assemble ensuring that the the earth lead is replaced.
5. Check the operation of the boiler.

Refer to Section 2.34 & 2.35

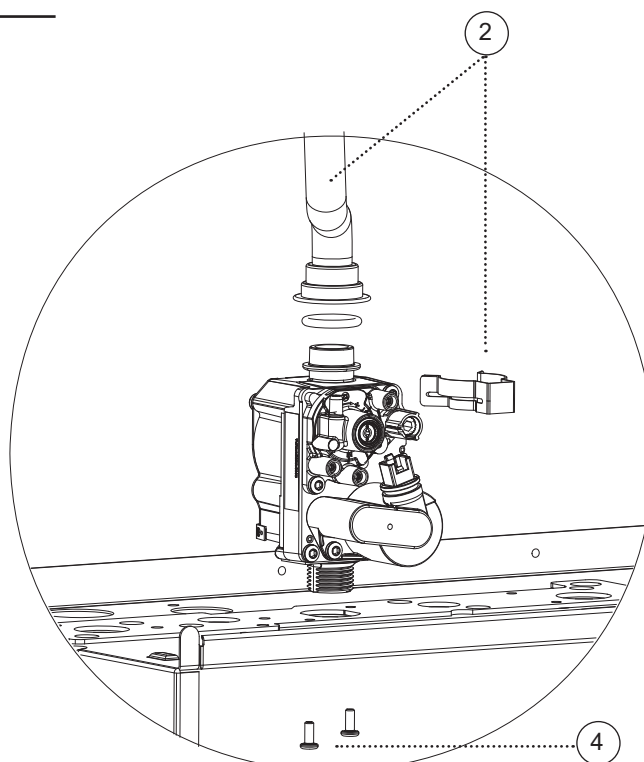


3.15 GAS CONTROL VALVE REPLACEMENT

Refer to Section 3.2

1. Unplug the electrical lead connection from the gas control valve.
2. Remove the outlet gas valve clip and slide the pipe upwards.
3. Undo the gas inlet pipe union at the inlet to the gas valve.
4. Undo the two screws fixing the gas valve to the chassis base and lift the gas valve upwards.
5. Fit the new gas control valve ensuring that the 'O' ring and sealing washer are in place and reconnect gas and electrical connections.
6. Ensure all gas valve connections are gas tight with a gas soundness check up to the gas control valve.

Refer to Section 2.34 & 2.35



3.16 CONDENSATE TRAP REPLACEMENT / CLEANING

Refer to Section
3.2

3.17 FLOW SWITCH REPLACEMENT

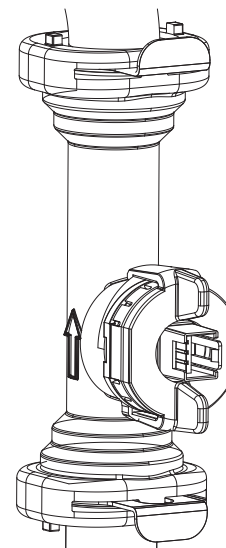
Refer to Section
3.2

1. Drain the boiler.

Refer to Section
3.3

2. Pull off the electrical connection.
3. Turn the retaining collar anti-clockwise and pull the head from the housing.
4. Fit the new water flow switch head, ensuring the electrical lead connections wires point to the left as shown.

Refer to Section
2.34 & 2.35



SERVICING

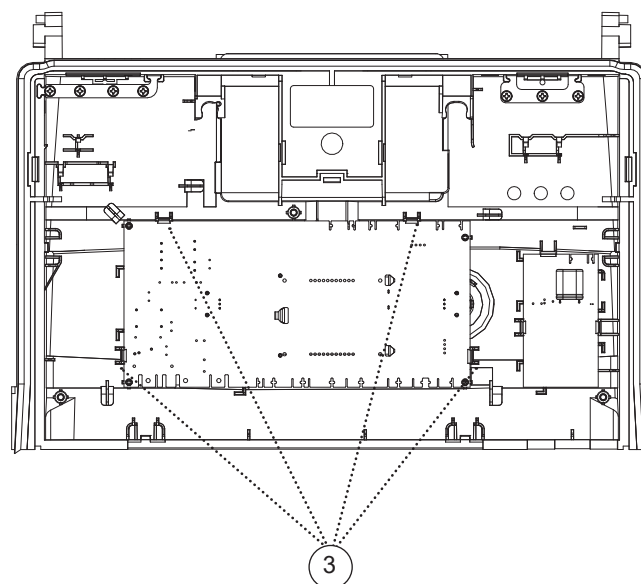
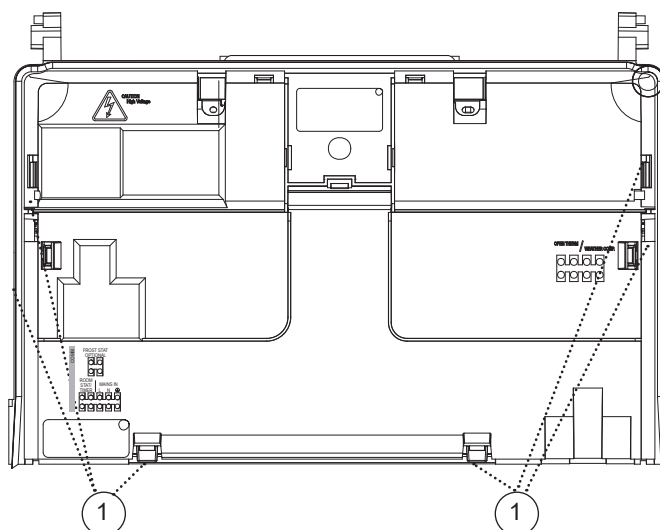
3.18 PRIMARY PCB REPLACEMENT

WARNING: It is critical that the correct boiler size and fuel type is entered in to the boiler.

CAUTION: Fit the earth strap provided with the PCB to your wrist and secure to a suitable earth on the boiler chassis.

Refer to Section
3.2

1. Carefully release the six retaining clips and remove control box cover.
2. Unplug all lead connections to the PCB.
3. Spring out the four side retaining clips and pull the PCB upwards to clear the corner retaining posts.
4. Take the new PCB and re-connect all plug connections.
5. Reassemble in reverse order.
6. Switch mains power on, wait for "uP" to be shown.
7. Simultaneously press Mode & Restart buttons so that "oF" is shown.
8. Switch mains power off and wait for 5s.
9. Switch mains power on, wait for "F9" to be shown.
10. Rotate the temperature knob until "F9 H" is shown.
11. Press Restart.
12. Rotate the temperature knob until "F9 n" is shown.
13. Press Restart.
14. Rotate the temperature knob until the appropriate boiler output is shown (12 kW, 15 kW, 18 kW, 24 kW or 30 kW).
15. Press Restart.
16. The boiler type (H), gas type (n), output (12/15/18/24/30) and parameter set number will be shown in rotation. If this is OK press Restart to complete the configuration, otherwise switch mains power off to start again.
17. Check that the boiler operates.



3.19 HEAT ENGINE REPLACEMENT

Refer to Section
2.1

CAUTION: Protect the gas and electrical controls with a waterproof sheet.

Refer to Section
3.2

1. Drain the boiler.

Refer to Section
3.3

2. Undo the two screws and remove the sump cover retaining the lower flue manifold.
3. Lift the manifold to clear the bottom sealing gasket and remove manifold.
4. Remove the fan / venturi assembly and place on one side.

Refer to Section
3.6

5. Remove the burner and place on one side.

Refer to Section
3.7

6. Remove the ignition/detection electrode.

Refer to Section
3.9

7. Remove the spark generator.

Refer to Section
3.14

8. Remove the gas valve.

Refer to Section
3.15

9. Remove the 2 M5 screws retaining the spark generator mounting bracket and transfer bracket to the new heat exchanger.
10. Remove the two retaining pipe clips and remove pipes.
11. Remove the condensate rubber pipe.

Refer to Section
3.10 No.2

12. Remove the heat exchanger fixing screw.
13. Remove the Heat exchanger, slide out of location bracket.
14. If replacement sump required: Rotate heat exchanger assembly 180°. Place new sump onto heat exchanger, ensuring correct orientation and seal is in place.
Then gently apply pressure to the base of the sump at each tab fixing point and engage tabs onto the heat exchanger.
15. Reassemble, ensuring the heat exchanger is located correctly in the RHS retaining bracket. Replace any new 'O' rings supplied with new heat exchanger and replace gaskets or seals if any sign of damage is evident. When replacing the spring clips located on the return pipe connection, ensure clip is oriented to correctly match connecting pipe diametres.

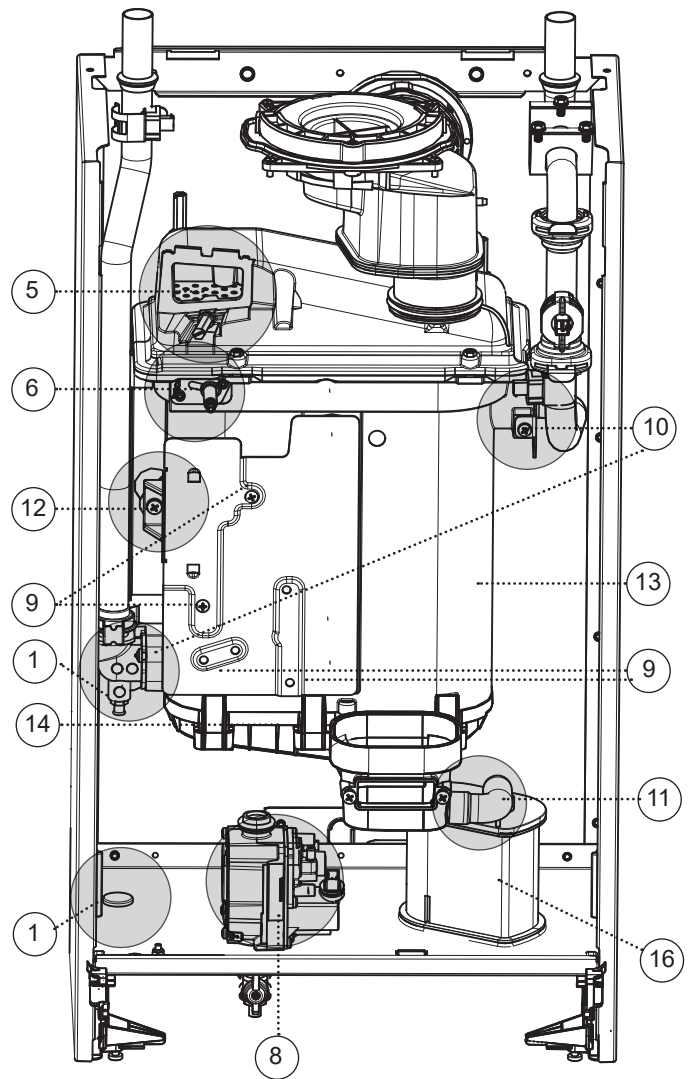
16. Ensure the trap is filled with water.

Refer to Section
3.10

17. Refill the boiler and check for leaks.

Refer to Section
2.22

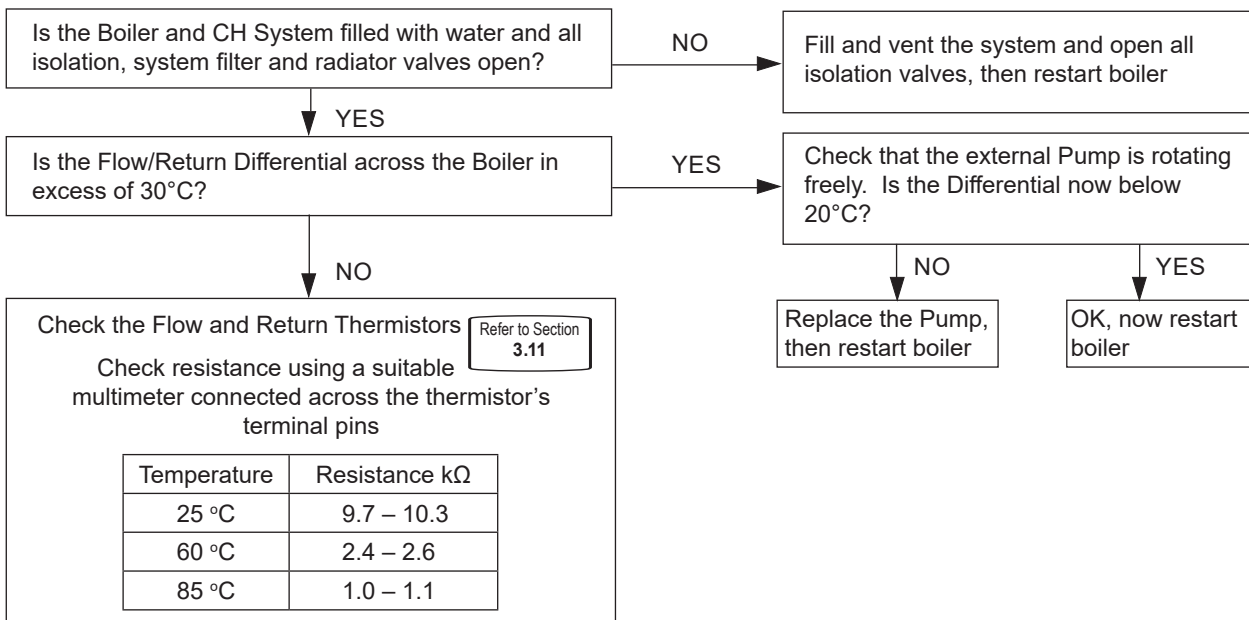
18. Ensure all gas valve connections are gas tight with a gas soundness check up to the gas control valve.
19. Check that the boiler operates.



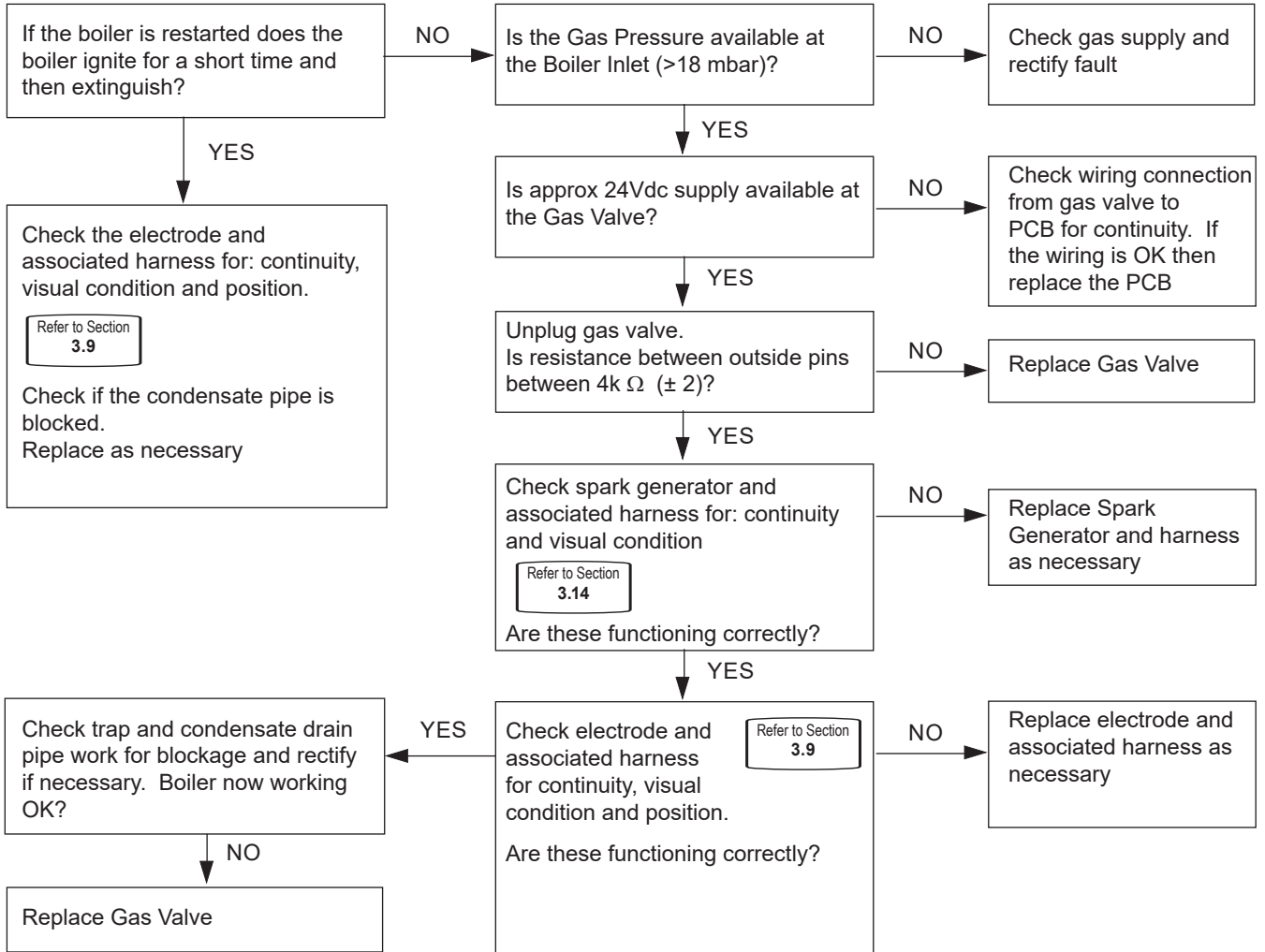
4.1 FAULT FINDING MAIN MENU

'L 01'	→	Go to Section 4.2: Flow Temperature Overheat Lockout
'L 02'	→	Go to Section 4.3: Ignition Lockout
'L 0C'	→	5 Restarts within 15 minutes: Turnpower off & on
'L 06'	→	Go to Section 4.4: False Flame Lockout
'F 02'	→	Go to Section 4.5: Flame Loss
'F 03'	→	Go to Section 4.6: Fan Fault
'L 0d'	→	Go to Section 4.3: Ignition Lockout: Blocked Flue/Condensate
'L 04' or 'F 04'	→	Go to Section 4.7: Flow Thermistor Fault
'L 05' or 'F 05'	→	Go to Section 4.9: Return Thermistor Fault
'F 06'	→	Go to Section 4.10: Outside Sensor Fault
'F 07'	→	Low Mains Voltage: Contact Electricity Provider
'F 09'	→	PCB Fault: Replace PCB
'F 0A'	→	Go to Section 4.8: Flow/Return Reversed
'F 0d'	→	Go to Section 4.15: No Water Flow
'F 0U'	→	Go to Section 4.14: Flow/Return Differential greater than 50°C
'F 0t'	→	Room Thermostat Fault: Check Room Stat & connections
'F 10'	→	Spark Generator Fault: Check wiring, if OK replace spark generator
No CH, but HW OK	→	Go to Section 4.11
No HW, but CH OK	→	Go to Section 4.13
No Display	→	Go to Section 4.12

4.2 OVERHEAT LOCKOUT

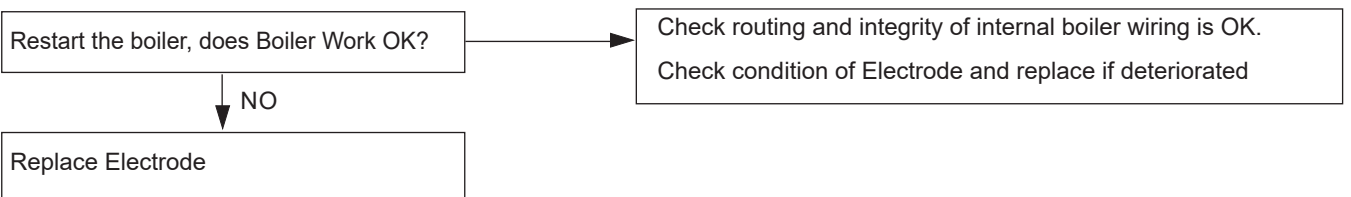


4.3 'L 02' - IGNITION LOCKOUT

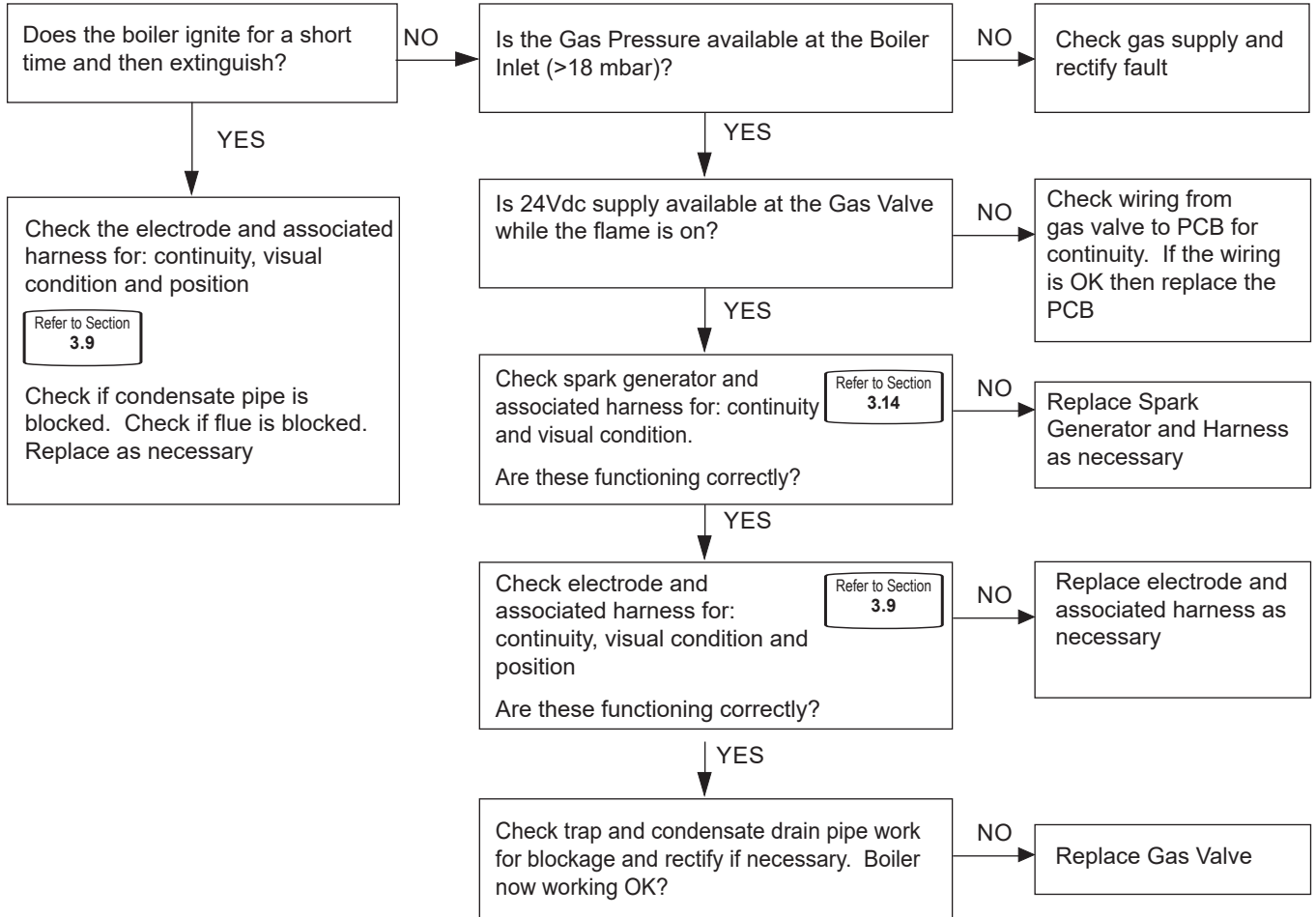


FAULT FINDING

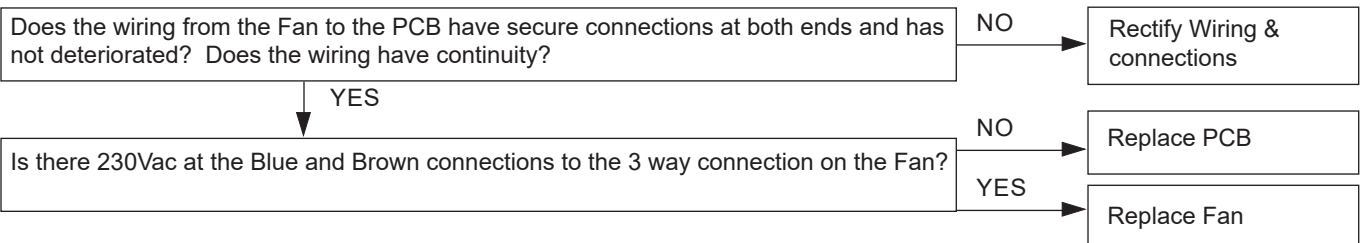
4.4 'L 06' - FLAME ON BEFORE GAS VALVE ON



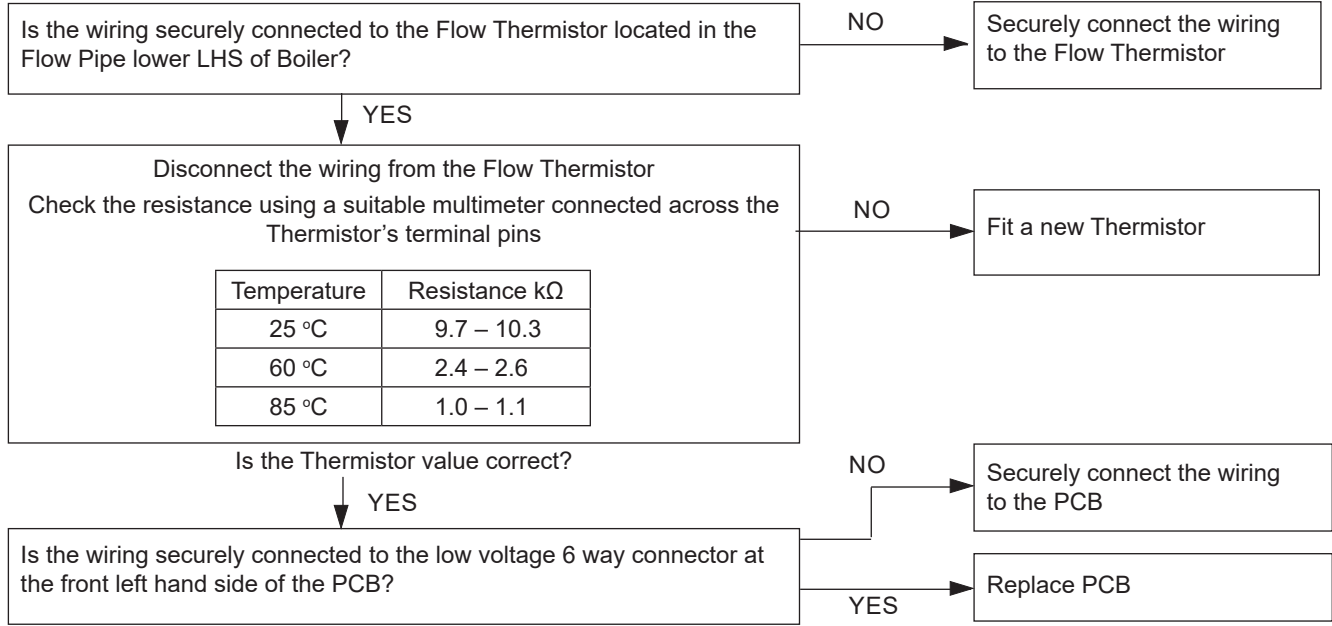
4.5 'F 02 OR FN OR LN' - FLAME LOSS



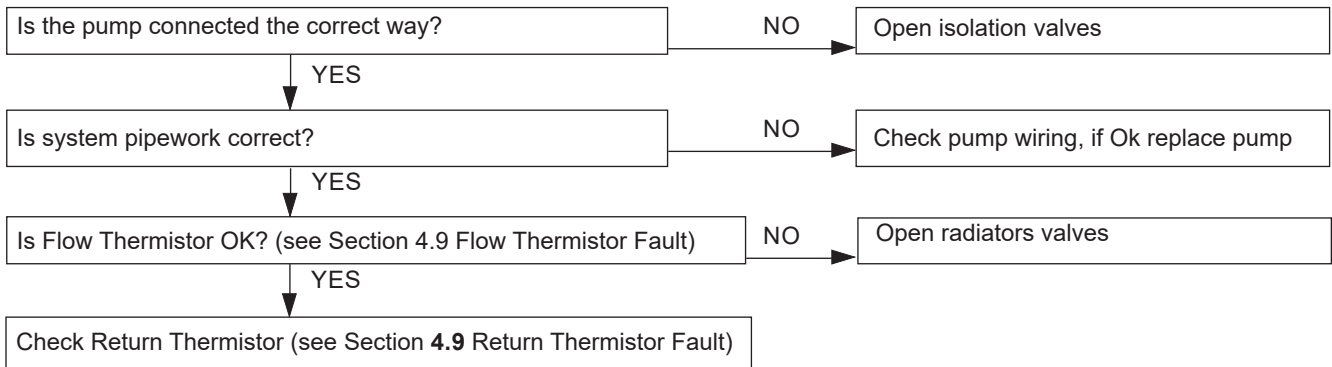
4.6 'F 03' - FAN FAULT



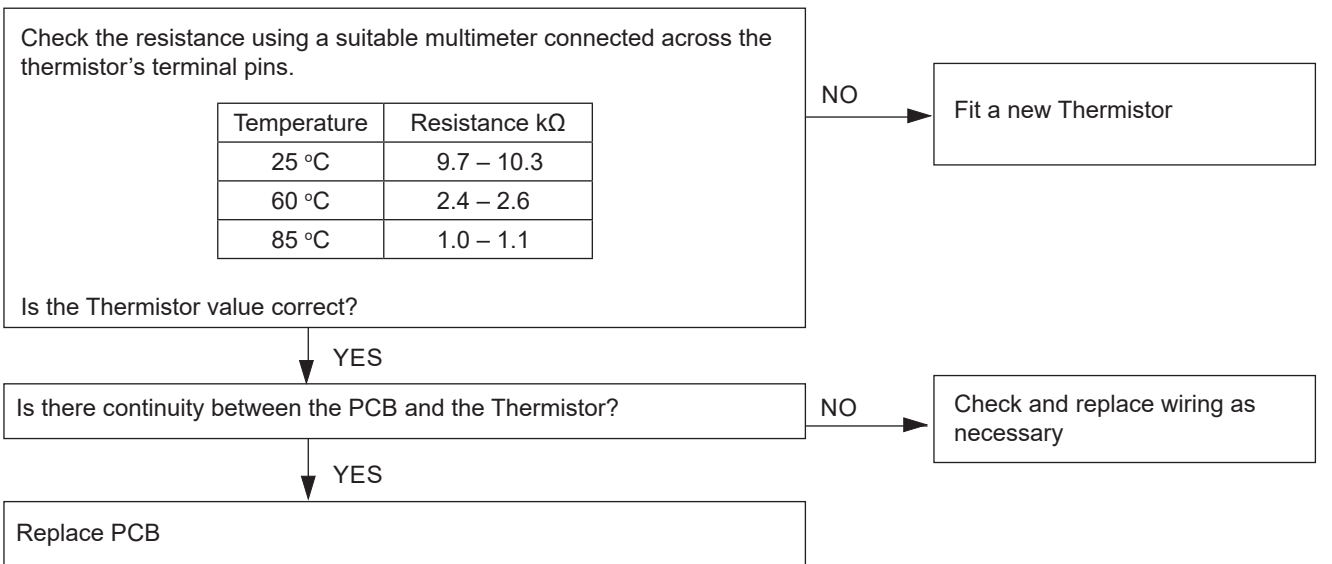
4.7 'F 04 OR L 04' - FLOW THERMISTOR FAULT



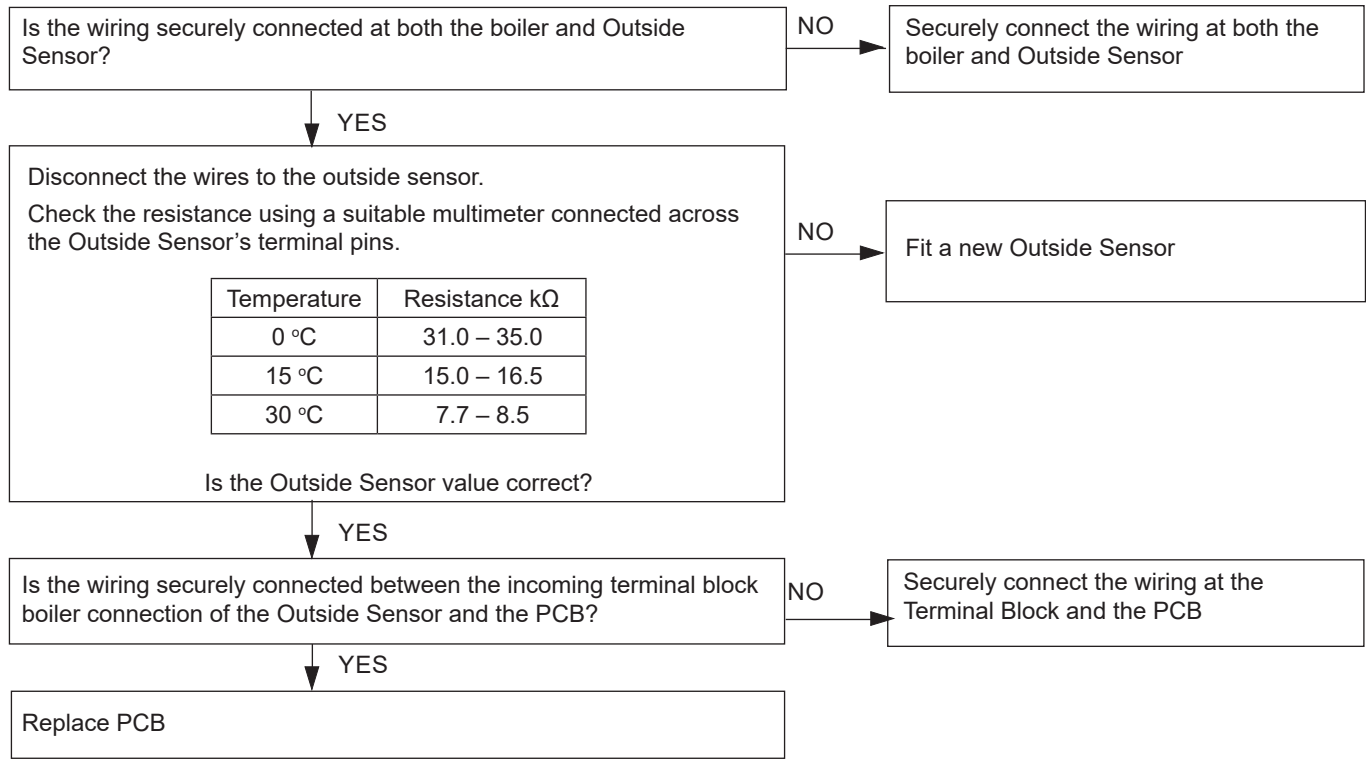
4.8 FLOW / RETURN REVERSED



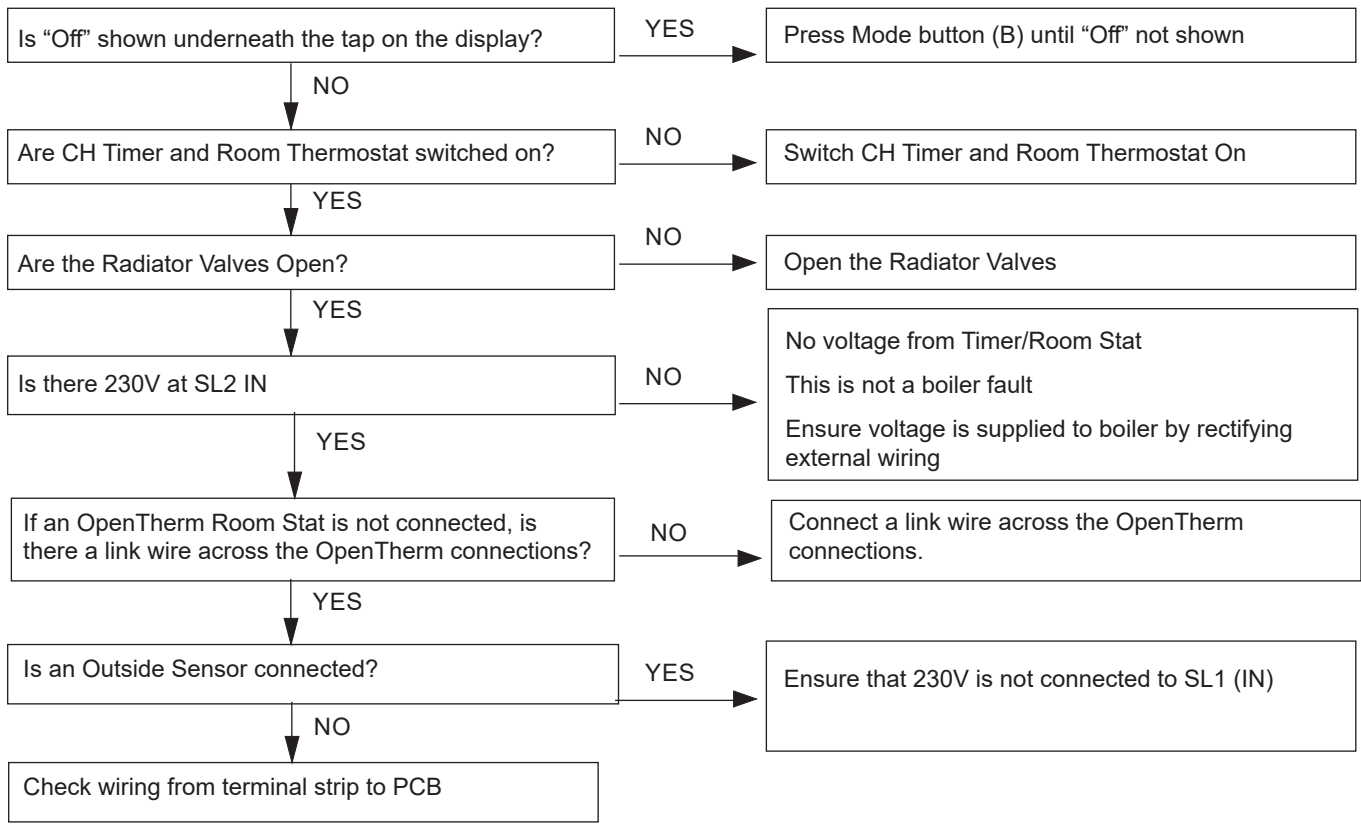
4.9 'F 05 OR L 05' - RETURN THERMISTOR FAULT



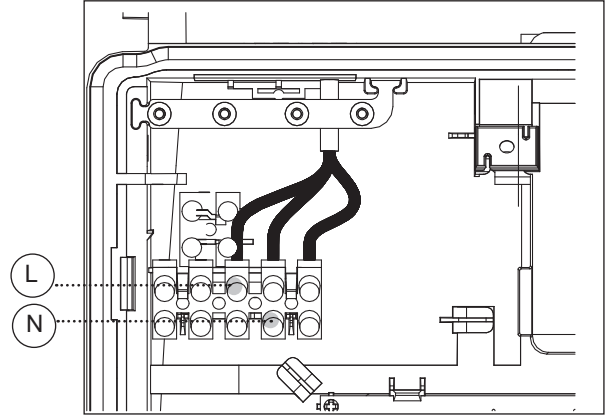
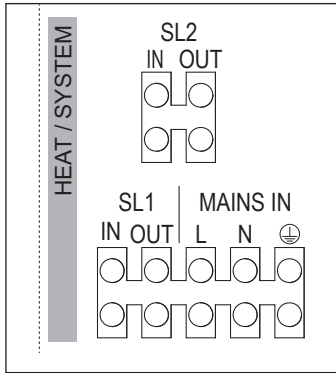
4.10 'F 06' - OUTSIDE SENSOR FAULT



4.11 NO CH OPERATION

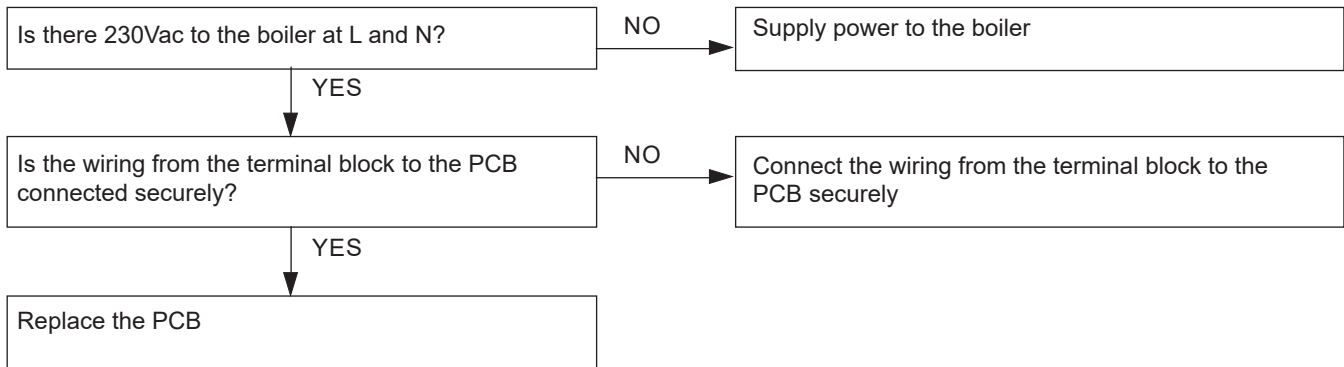


NO CH OPERATION

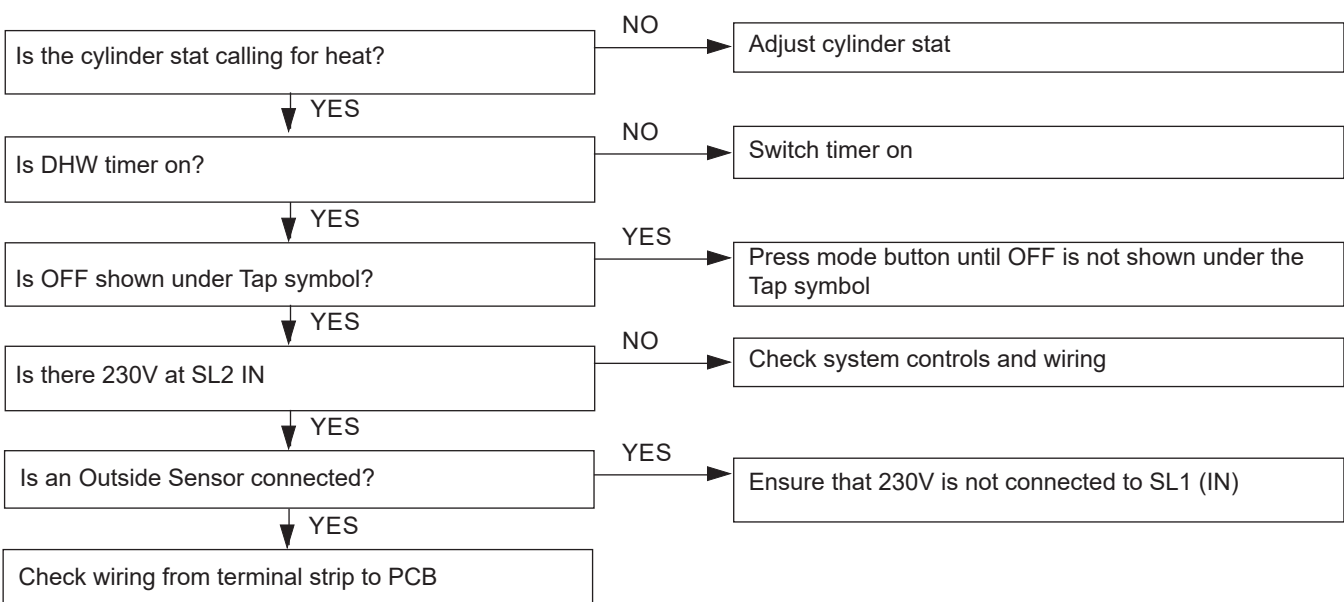


FAULT FINDING

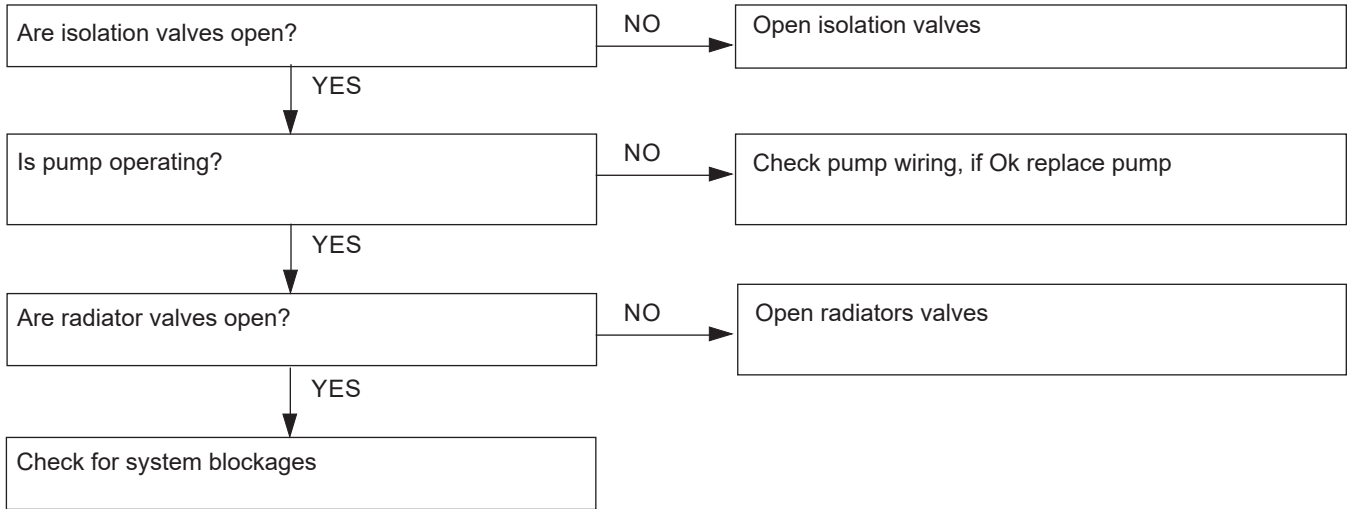
4.12 NO DISPLAY



4.13 NO DHW OPERATION

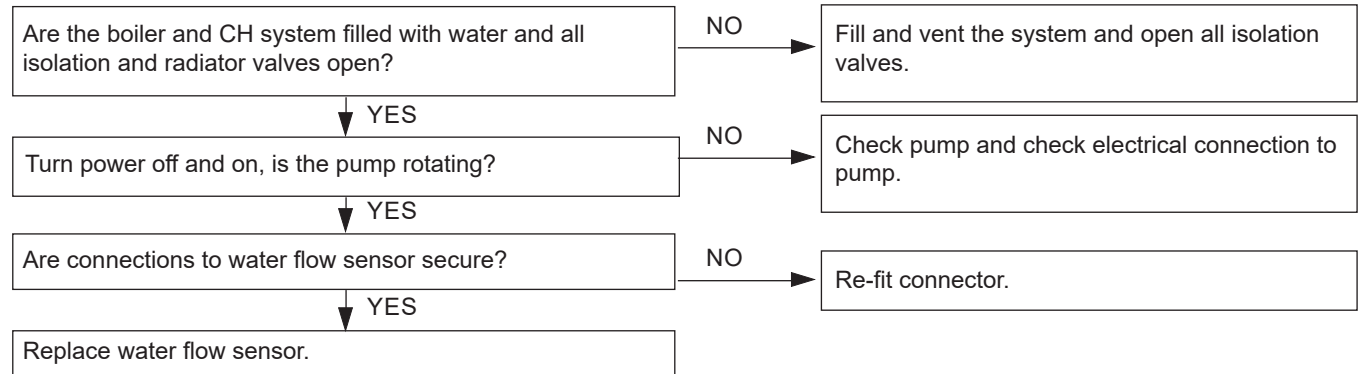


4.14 FLOW / RETURN DIFFERENTIAL GREATER THAN 50°C



4.15 'F0 d' - NO WATER FLOW

Note - 'F0 d' will only be shown if no water flow is detected for 60 secs and the temperature is less than 40°C.



Section 5 - Spare Parts

When replacing any part on this appliance use only spare parts that you can be assured conform to the safety and performance specification that we require. Do not use reconditioned or copy parts that have not been clearly authorised by Ideal Heating.

Failure to do so could affect safety or performance of this appliance.

Comprehensive spares parts information and details of approved Ideal Parts Distributors are available on **idealparts.com**

LINK
to spares



Our Parts team are also available to help with your Ideal Spare Parts enquiries on 01482 498665.

When calling, and to ensure we can provide you with the most accurate parts information, please ensure you have the following to hand;

- Boiler Model
- Appliance GC Number
- Boiler Serial Number

Code Of Practice

For the installation, commissioning and servicing of domestic heating and hot water products

Benchmark places responsibilities on both manufacturers and installers.* The purpose is to ensure that customers** are provided with the correct equipment for their needs, that it is installed, commissioned and serviced in accordance with the manufacturer's instructions by competent persons and that it meets the requirements of the appropriate Building Regulations. Installers are required to carry out work in accordance with the following:

Standards of Work

- Be competent and qualified to undertake the work required.
- Install, commission, service and use products in accordance with the manufacturer's instructions provided.
- Ensure that where there is responsibility for design work, the installation is correctly sized and fit for purpose.
- Meet the requirements of the appropriate Building Regulations. Where this involves notifiable work be a member of a Competent Persons Scheme or confirm that the customer has notified Local Authority Building Control (LABC), prior to work commencing.
- Complete all relevant sections of the Benchmark Checklist/Service Record when carrying out commissioning or servicing of a product or system.
- Ensure that the product or system is left in a safe condition and, whenever possible, in good working order.
- Highlight to the customer any remedial or improvement work identified during the course of commissioning or servicing work.
- Refer to the manufacturer's helpline where assistance is needed.
- Report product faults and concerns to the manufacturer in a timely manner.

Customer Service

- Show the customer any identity card that is relevant to the work being carried out prior to commencement or on request.
- Give a full and clear explanation/demonstration of the product or system and its operation to the customer.
- Hand over the manufacturer's instructions, including the Benchmark Checklist, to the customer on completion of an installation.
- Obtain the customer's signature, on the Benchmark Checklist, to confirm satisfactory demonstration and receipt of manufacturer's instructions.
- Advise the customer that regular product servicing is needed, in line with manufacturers' recommendations, to ensure that safety and efficiency is maintained.
- Respond promptly to calls from a customer following completion of work, providing advice and assistance by phone and, if necessary, visiting the customer.
- Rectify any installation problems at no cost to the customer during the installer's guarantee period.



*The use of the word "installer" is not limited to installation itself and covers those carrying out installation, commissioning and/or servicing of heating and hot water products, or the use of supporting products (such as water treatment or test equipment).

**Customer includes householders, landlords and tenants.

© Heating and Hotwater Industry Council (HHIC)

www.centralheating.co.uk

Benchmark Commissioning & Warranty Validation Service Record

It is a requirement that the boiler is installed and commissioned to the manufacturers' instructions and the data fields on the commissioning checklist completed in full.

To instigate the boiler warranty the boiler needs to be registered with the manufacturer within one month of the installation. The warranty rests with the end-user (consumer), and they should be made aware it is ultimately their responsibility to register with the manufacturer, within the allotted time period.

It is essential that the boiler is serviced in line with the manufacturers' recommendations, at least annually. This must be carried out by a competent Gas Safe registered engineer. The service details should be recorded on the Benchmark Service and Interim Boiler Work Record and left with the householder. Failure to comply with the manufacturers' servicing instructions and requirements will invalidate the warranty.



www.hhic.co.uk

This Commissioning Checklist is to be completed in full by the competent person who commissioned the boiler as a means of demonstrating compliance with the appropriate Building Regulations and then handed to the customer to keep for future reference.

Failure to install and commission according to the manufacturers' instructions and complete this Benchmark Commissioning Checklist will invalidate the warranty. This does not affect the customer's statutory rights.

* All installations in England and Wales must be notified to Local Authority Building Control (LABC) either directly or through a Competent Persons Scheme. A Building Regulations Compliance Certificate will then be issued to the customer.

© Heating and Hotwater Industry Council (HHIC)



www.centralheating.co.uk

Section 6 - Benchmark to Commissioning

GAS BOILER SYSTEM COMMISSIONING CHECKLIST & WARRANTY VALIDATION RECORD

Address:									
Boiler make and model:									
Boiler serial number:									
Commissioned by (PRINT NAME):					Gas Safe registration number:				
Company name:					Telephone number:				
Company email:					Company address:				
								Commissioning date:	
Heating and hot water system complies with the appropriate Building Regulations? Yes									
Optional: Building Regulations Notification Number (if applicable):									
Time, temperature control and boiler interlock provided for central heating and hot water Yes									
Boiler Plus requirements (tick the appropriate box(s))									
Boiler Plus option chosen for combination boiler in ENGLAND					Weather compensation		Smart thermostat with automisation and optimisation		
					Load compensation		Flue Gas Heat Recovery		
Time and temperature control to hot water		Cylinder thermostat and programmer/timer					Combination boiler		
Zone valves		pre-existing		Fitted		Not required			
Thermostatic radiator valves		pre-existing		Fitted		Not required			
Automatic bypass to system		pre-existing		Fitted		Not required			
Underfloor heating		pre-existing		Fitted		Not required			
Water quality									
The system has been flushed, cleaned and a suitable inhibitor applied upon final fill, in accordance with BS7593 and boiler manufacturers' instructions Yes									
What system cleaner was used?					Brand:		Product:		
What inhibitor was used?					Brand:		Product:		
Primary water system filter		pre-existing		Fitted		Not required			
CENTRAL HEATING MODE measure and record (as appropriate)									
Gas rate (for combination boilers complete DHW mode gas rate)				m ³ /hr		or		ft ³ /hr	
Central heating output left at factory settings?				Yes		No			
If no, what is the maximum central heating output selected?								kW	
Dynamic gas inlet pressure								mbar	
Central heating flow temperature								°C	
Central heating return temperature								°C	
System correctly balanced/rebalanced?								Yes	
COMBINATION BOILERS ONLY									
Is the installation in a hard water area (above 200ppm)?				Yes		No			
Water scale reducer/softener		pre-existing		Fitted		Not required			
What type of scale reducer/softener has been fitted?				Brand:		Product:			
Water meter fitted?				Yes		No			
If yes- DHW expansion vessel		pre-existing		Fitted		Not required			
Pressure reducing valve		pre-existing		Fitted		Not required			
DOMESTIC HOT WATER MODE Measure and record									
Gas rate				m ³ /hr		or		ft ³ /hr	
Dynamic gas inlet pressure at maximum rate								mbar	
Cold water inlet temperature								°C	
Hot water has been checked at all outlets				Yes		Temperature		°C	
CONDENSATE DISPOSAL									
The condensate drain has been installed in accordance with the manufacturers' instructions and/or BS5546/BS6798 Yes									
Point of termination				Internal		External (only where internal termination impractical)			
Method of disposal				Gravity		Pumped			
ALL INSTALLATIONS									
Record the following		At max rate:		CO ppm		CO ₂ %		CO/CO ₂ Ratio	
		At min rate (where possible)		CO ppm		CO ₂ %		CO/CO ₂ Ratio	
Where possible, has a flue integrity check been undertaken in accordance with manufacturers' instructions, and readings are correct?								Yes	
The operation of the boiler and system controls have been demonstrated to and understood by the customer								Yes	
The manufacturers' literature, including Benchmark Checklist and Service Record, has been explained and left with the customer								Yes	
Commissioning Engineer's signature									
Customer's signature (To confirm satisfactory demonstration and receipt of manufacturers' literature)									

* All installations in England and Wales must be notified to Local Authority Building Control (LABC) either directly or through a Competent Persons Scheme. A Building Regulations Compliance Certificate will then be issued to the customer.

© Heating and Hotwater Industry Council (HHIC)



www.centralheating.co.uk

Section 6 - Benchmark to Commissioning

SERVICE & INTERIM BOILER WORK RECORD

It is recommended that your boiler and heating system are regularly serviced and maintained, in line with manufacturers' instructions, and that the appropriate service / interim work record is completed.

Service provider

When completing a service record (as below), please ensure you have carried out the service as described in the manufacturers' instructions. Always use the manufacturers' specified spare parts.

SERVICE/INTERIM WORK ON BOILER <small>delete as appropriate</small>					Date:	
Engineer name:		Company name:				
Telephone N°:		Gas Safe registration N°:				
Max rate	CO	ppm	CO ₂	%	CO/CO ₂	
Min rate	CO	ppm	CO ₂	%	CO/CO ₂	
Where possible, has a flue integrity check been undertaken in accordance with manufacturers' instructions, and readings are correct?*					yes	
Gas rate:	m ³ /h	OR	ft ³ /h			
Were parts fitted? <small>delete as appropriate</small>		Yes	No			
Parts fitted:						
System inhibitor concentration has been checked and appropriate action taken, in accordance with BS 7593 and boiler manufacturers' instructions. *					yes	n/a
Comments:						
Signature:						

*A System inhibitor efficacy test is required on every annual service in accordance with the manufacturers' instructions and BS 7593. It is only acceptable to not have undertaken this if the service engineers attendance visit was in between annual services to attend a non-water facing component.

SERVICE/INTERIM WORK ON BOILER <small>delete as appropriate</small>					Date:	
Engineer name:		Company name:				
Telephone N°:		Gas Safe registration N°:				
Max rate	CO	ppm	CO ₂	%	CO/CO ₂	
Min rate	CO	ppm	CO ₂	%	CO/CO ₂	
Where possible, has a flue integrity check been undertaken in accordance with manufacturers' instructions, and readings are correct?*					yes	
Gas rate:	m ³ /h	OR	ft ³ /h			
Were parts fitted? <small>delete as appropriate</small>		Yes	No			
Parts fitted:						
System inhibitor concentration has been checked and appropriate action taken, in accordance with BS 7593 and boiler manufacturers' instructions. *					yes	n/a
Comments:						
Signature:						

*A System inhibitor efficacy test is required on every annual service in accordance with the manufacturers' instructions and BS 7593. It is only acceptable to not have undertaken this if the service engineers attendance visit was in between annual services to attend a non-water facing component.

SERVICE/INTERIM WORK ON BOILER <small>delete as appropriate</small>					Date:	
Engineer name:		Company name:				
Telephone N°:		Gas Safe registration N°:				
Max rate	CO	ppm	CO ₂	%	CO/CO ₂	
Min rate	CO	ppm	CO ₂	%	CO/CO ₂	
Where possible, has a flue integrity check been undertaken in accordance with manufacturers' instructions, and readings are correct?*					yes	
Gas rate:	m ³ /h	OR	ft ³ /h			
Were parts fitted? <small>delete as appropriate</small>		Yes	No			
Parts fitted:						
System inhibitor concentration has been checked and appropriate action taken, in accordance with BS 7593 and boiler manufacturers' instructions. *					yes	n/a
Comments:						
Signature:						

*A System inhibitor efficacy test is required on every annual service in accordance with the manufacturers' instructions and BS 7593. It is only acceptable to not have undertaken this if the service engineers attendance visit was in between annual services to attend a non-water facing component.

SERVICE/INTERIM WORK ON BOILER <small>delete as appropriate</small>					Date:	
Engineer name:		Company name:				
Telephone N°:		Gas Safe registration N°:				
Max rate	CO	ppm	CO ₂	%	CO/CO ₂	
Min rate	CO	ppm	CO ₂	%	CO/CO ₂	
Where possible, has a flue integrity check been undertaken in accordance with manufacturers' instructions, and readings are correct?*					yes	
Gas rate:	m ³ /h	OR	ft ³ /h			
Were parts fitted? <small>delete as appropriate</small>		Yes	No			
Parts fitted:						
System inhibitor concentration has been checked and appropriate action taken, in accordance with BS 7593 and boiler manufacturers' instructions. *					yes	n/a
Comments:						
Signature:						

*A System inhibitor efficacy test is required on every annual service in accordance with the manufacturers' instructions and BS 7593. It is only acceptable to not have undertaken this if the service engineers attendance visit was in between annual services to attend a non-water facing component.

SERVICE/INTERIM WORK ON BOILER <small>delete as appropriate</small>					Date:	
Engineer name:		Company name:				
Telephone N°:		Gas Safe registration N°:				
Max rate	CO	ppm	CO ₂	%	CO/CO ₂	
Min rate	CO	ppm	CO ₂	%	CO/CO ₂	
Where possible, has a flue integrity check been undertaken in accordance with manufacturers' instructions, and readings are correct?*					yes	
Gas rate:	m ³ /h	OR	ft ³ /h			
Were parts fitted? <small>delete as appropriate</small>		Yes	No			
Parts fitted:						
System inhibitor concentration has been checked and appropriate action taken, in accordance with BS 7593 and boiler manufacturers' instructions. *					yes	n/a
Comments:						
Signature:						

*A System inhibitor efficacy test is required on every annual service in accordance with the manufacturers' instructions and BS 7593. It is only acceptable to not have undertaken this if the service engineers attendance visit was in between annual services to attend a non-water facing component.

SERVICE/INTERIM WORK ON BOILER <small>delete as appropriate</small>					Date:	
Engineer name:		Company name:				
Telephone N°:		Gas Safe registration N°:				
Max rate	CO	ppm	CO ₂	%	CO/CO ₂	
Min rate	CO	ppm	CO ₂	%	CO/CO ₂	
Where possible, has a flue integrity check been undertaken in accordance with manufacturers' instructions, and readings are correct?*					yes	
Gas rate:	m ³ /h	OR	ft ³ /h			
Were parts fitted? <small>delete as appropriate</small>		Yes	No			
Parts fitted:						
System inhibitor concentration has been checked and appropriate action taken, in accordance with BS 7593 and boiler manufacturers' instructions. *					yes	n/a
Comments:						
Signature:						

*A System inhibitor efficacy test is required on every annual service in accordance with the manufacturers' instructions and BS 7593. It is only acceptable to not have undertaken this if the service engineers attendance visit was in between annual services to attend a non-water facing component.

* All installations in England and Wales must be notified to Local Authority Building Control (LABC) either directly or through a Competent Persons Scheme. A Building Regulations Compliance Certificate will then be issued to the customer.

© Heating and Hotwater Industry Council (HHIC)



www.centralheating.co.uk

FLOWCHART FOR CO LEVEL AND COMBUSTION RATIO CHECK ON COMMISSIONING A CONDENSING BOILER

Important Preliminary Information on Checks

The air gas ratio valve is factory-set and must not be adjusted DURING COMMISSIONING.

If the boiler requires conversion to operate with a different gas family (e.g. conversion from natural gas to LPG) separate guidance is provided with the conversion kit supplied and this must be followed.

PRIOR TO CO LEVEL AND COMBUSTION RATIO CHECK

The installation instructions must have been followed, gas type verified and gas supply pressure / gas rate checked as required prior to commissioning.

As part of the installation process, ESPECIALLY WHERE A FLUE HAS BEEN FITTED BY PERSONS OTHER THAN THE BOILER INSTALLER, visually check the integrity of the whole flue system to confirm that all components are correctly assembled, fixed and supported. Check that maximum flue lengths have not been exceeded and all guidance has been followed (e.g. Gas Safe Register Technical Bulletin (TB) 008 where chimney/flues are in voids).

The ECGA should be of the correct type, as specified by BS EN 50379-3:2012.

Prior to its use, the ECGA should have been maintained and calibrated as specified by the manufacturer. The installer must have the relevant competence for use of the analyser.

Check and zero the analyser IN FRESH AIR in accordance with the analyser manufacturer's instructions.

KEY:

CO = carbon monoxide

CO₂ = carbon dioxide

O₂ = oxygen

Combustion Ratio = The CO reading measured in ppm divided by the CO₂ reading first converted to ppm

ppm = parts per million

GS(I&U)R = Gas Safety (Installation and Use) Regulations

IMPORTANT: Ensure boiler is in normal operation with a heat demand before setting Maximum / Minimum rate function.

Setting to Maximum Rate:

1. Hold "MODE" & "RESTART" buttons together for more than 5s
2. Last 3 faults will be shown
3. SH shown, press "RESTART" button
4. Burner will run for 10 minutes at maximum rate
5. Press "RESTART" to exit Maximum Rate mode

Setting to Minimum Rate:

1. Hold "MODE" & "RESTART" buttons together for more than 5s
2. Last 3 faults will be shown
3. SH shown, press "MODE" button
4. SL shown, press "RESTART"
5. If the Return Temperature is under 40°C then the burner will run at maximum rate for 30s before ramping down to minimum rate over 60s.
6. If the Return Temperature is over 40°C then the burner will ramp down to minimum rate over 60s.
7. Burner will run for 10 minutes at minimum rate
8. Press "RESTART" to exit Minimum Rate mode

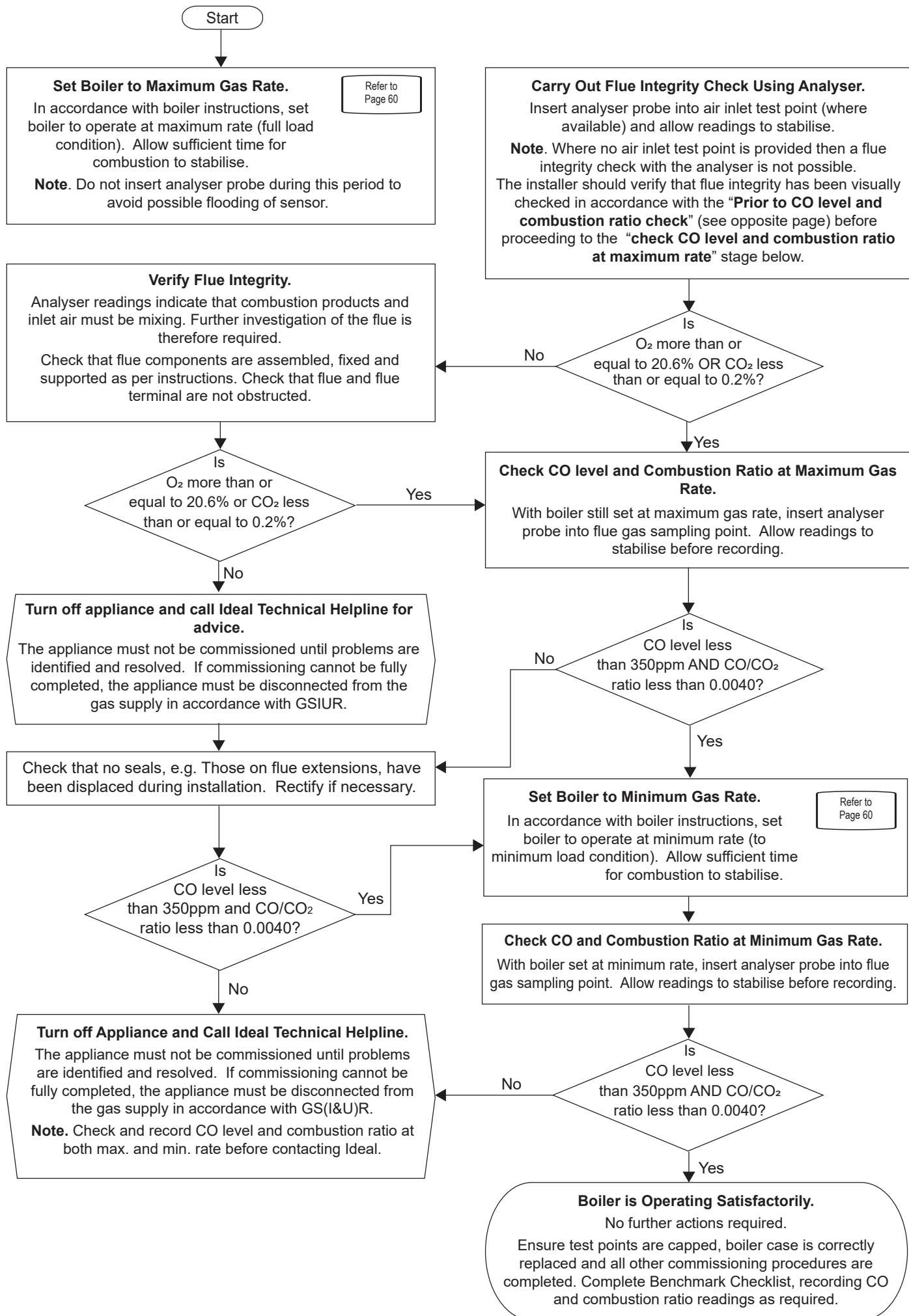


IMPORTANT: Do not disconnect the boiler's mains power while it is in service mode (maximum/minimum rate).

If the boiler is turned off while in service mode, it will automatically resume the interrupted service mode when powered back on and will complete after 10 minutes.

To manually finish the service mode, wait at least 60 seconds after an electrical supply has been reconnected, then begin the service mode setup procedure again and exit as the instruction provided.

Section 6 - Benchmark to Commissioning



Notes

Notes

Notes



Technical Training

Our Expert Academy offer a range of training options designed and delivered by our experts in heating.
For details please visit: expert-academy.co.uk

Ideal Boilers Ltd., pursues a policy of continuing improvement in the design and performance of its products.
The right is therefore reserved to vary specification without notice.

Ideal is a trademark of Ideal Boilers.

Registered Office

Ideal Boilers Ltd., National Avenue, Hull, East Yorkshire, HU5 4JB

Tel 01482 492251 Fax 01482 448858

Registration No. London 322 137

EU Authorised Representative:

Atlantic SFDT

44 Boulevard des Etats-Unis, 85 000 La Roche-Sur-Yon, France

+33 (0)2 51 44 34 34

Ideal Technical & Consumer Helpline: 00353 (0)1 961 7700

Ideal Parts: 00353 (0)1 961 7700

idealboilers.ie

ideal
HEATING