

TECHNICAL DATA

EN

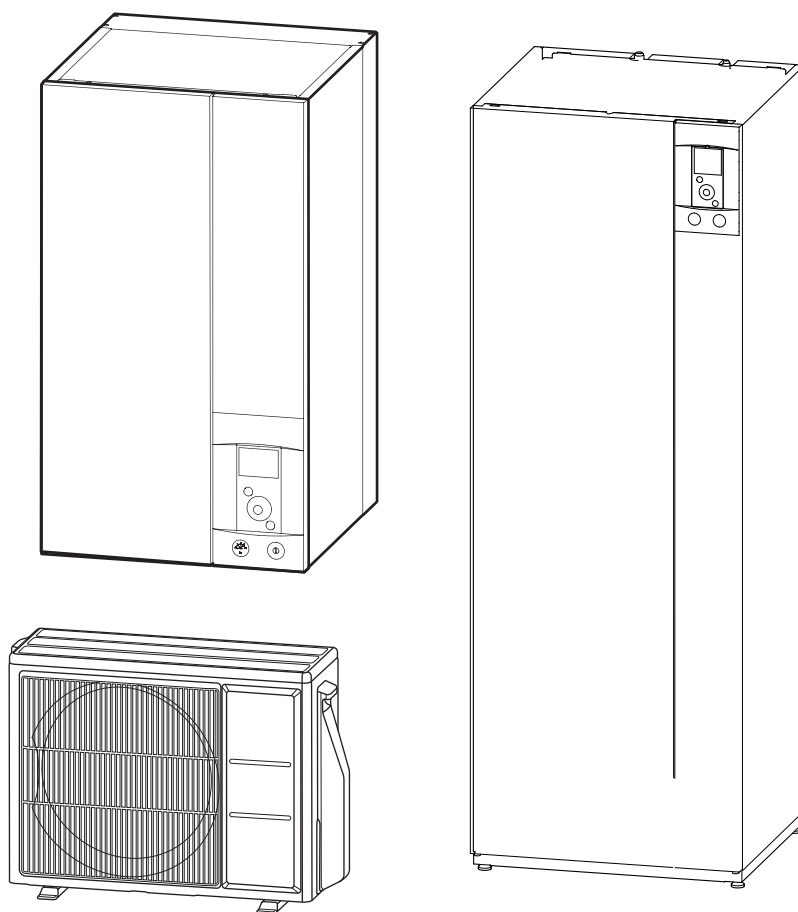
Alféa Extensa A.I. R32

Heat pumps air/water 1 service and 2 services

Outdoor unit

WOYA060KLT

WOYA080KLT



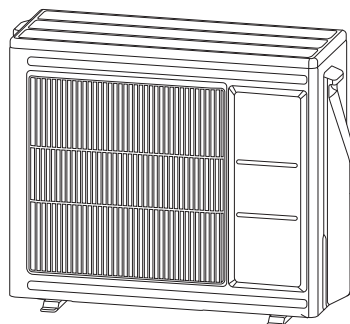
Hydraulic module

024301

024302

024307

024308



Contents

General description	3
Table of dimensions and weight	3
Volume of the heating system	3
Drawing of the heat pump	4
Connection pipes.	9
ERP datas	9
Performances	10
Performances tables in heating mode whitout the electrical back-up	10
Performances tables in heating mode including progressively electrical back-up	13
Nominal performances tables in cooling mode	16
Sound power of the outdoor unit	17
Sound power curves in heating mode	17
Courbes de pression acoustique en mode chauffage	18
Hydraulic circuit	19
Availables flow and pressure.	19
Overall hydraulic layaout	20
Options	24

General description

► Table of dimensions and weight

For more information, please refer to the instructions sheets 2112 (alféa extensa A.I. R32) and 2114 (alféa extensa Duo A.I. R32).

	Alféa Extensa A.I. 5 R32	Alféa Extensa A.I. 6 R32	Alféa Extensa A.I. 8 R32
Reference	526631	526632	526633
Outdoor unit	WOYA060KLT	WOYA060KLT	WOYA080KLT
Reference	700227	700227	700228
Dimensions (H x W x D) (mm)	632 x 866 x 325	632 x 866 x 325	716 x 907 x 349
Operating weight (kg)	39	39	42
Hydraulic unit	Alféa Extensa A.I. 5 R32	Alféa Extensa A.I. 6-8 R32	
Reference	024 301	024 302	
Dimensions (H x W x D) (mm)	847 x 450 x 493		
Weight vacuum / water (kg)	42 / 67		

	Alféa Extensa Duo A.I. 5 R32	Alféa Extensa Duo A.I. 6 R32	Alféa Extensa Duo A.I. 8 R32
Reference	526341	526342	526343
Outdoor unit	WOYA060KLT	WOYA060KLT	WOYA080KLT
Reference	700227	700227	700228
Dimensions (H x W x D) (mm)	632 x 866 x 325	632 x 866 x 325	716 x 907 x 349
Operating weight (kg)	39	39	42
Hydraulic unit	Alféa Extensa Duo A.I. 5 R32	Alféa Extensa Duo A.I. 6/8 R32	
Reference	024307	024308	
Dimensions (H x W x D) (mm)	1863 x 648 x 700		
Weight vacuum / water (kg)	143 / 358		

► Volume of the heating system

You must maintain the minimum installation water volume. Install a buffer tank on the return from the heating circuit in case the volume is lower than this value. Where the system is fitted with one or more thermostatic valves, you must ensure that this minimum water volume is able to circulate.

Appliance	Min. volume in liter PER CIRCUIT		
	Fan-coil	Radiator	Heating-cooling floor
Size 5	23	12	2
Size 6	23	12	2
Size 8	36	33	15

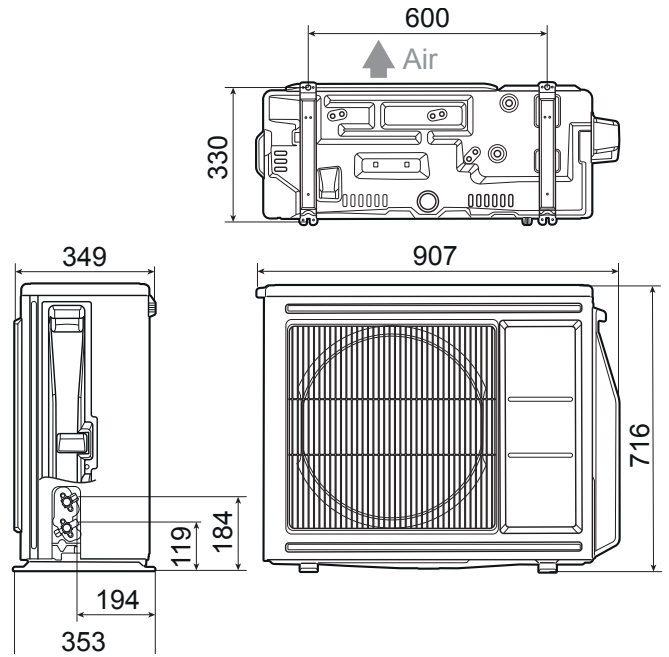
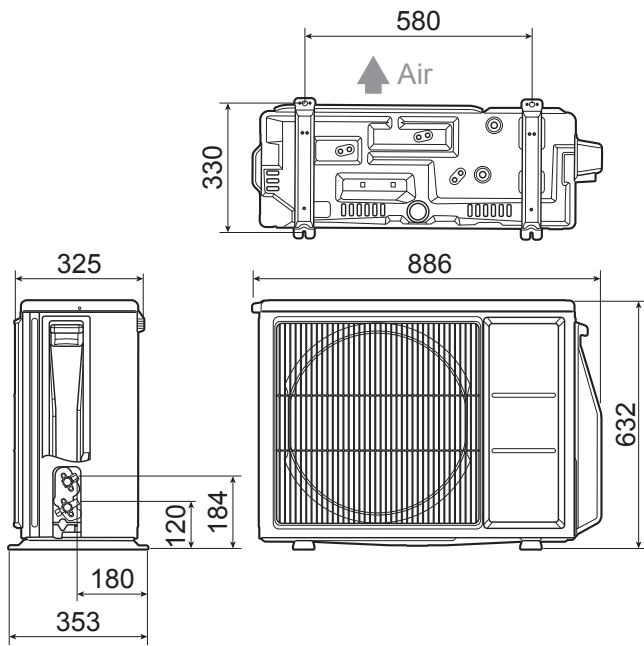
► Drawing of the heat pump

▼ Dimensional drawing

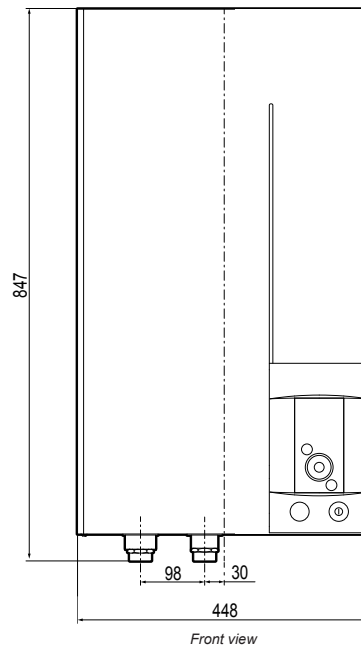
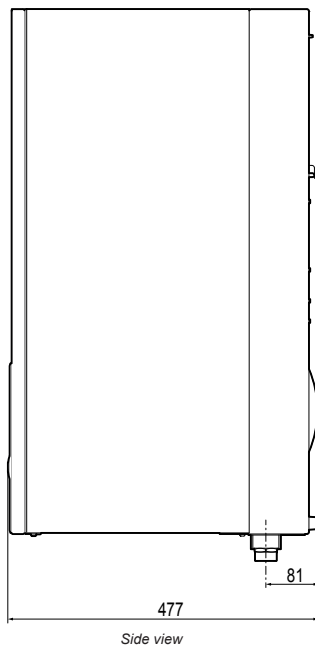
Outdoors units

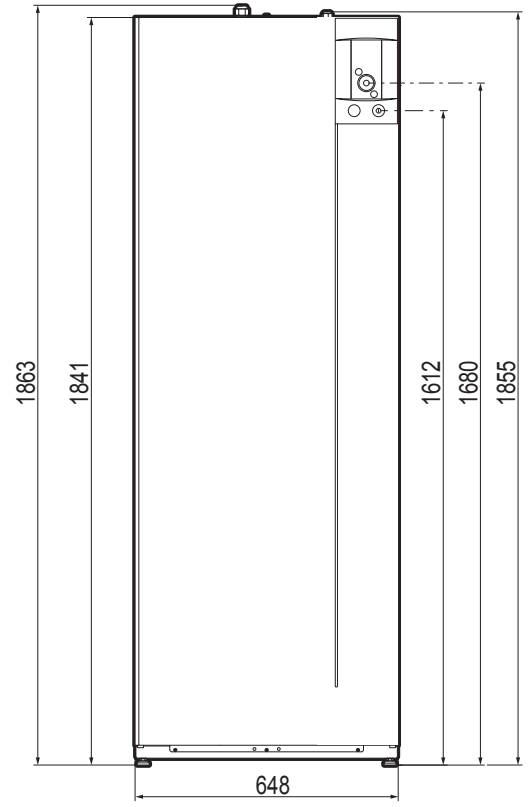
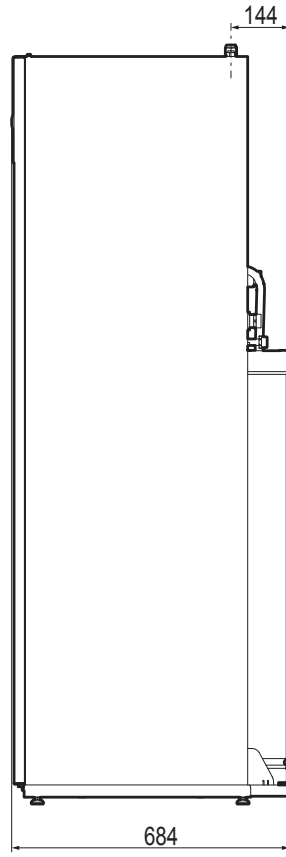
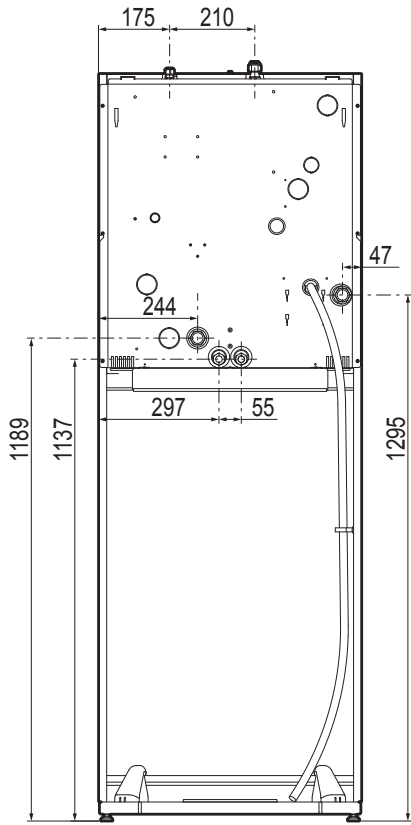
Size 5/6

Size 8



Hydraulic units





▼ Installation place

Outdoors units :

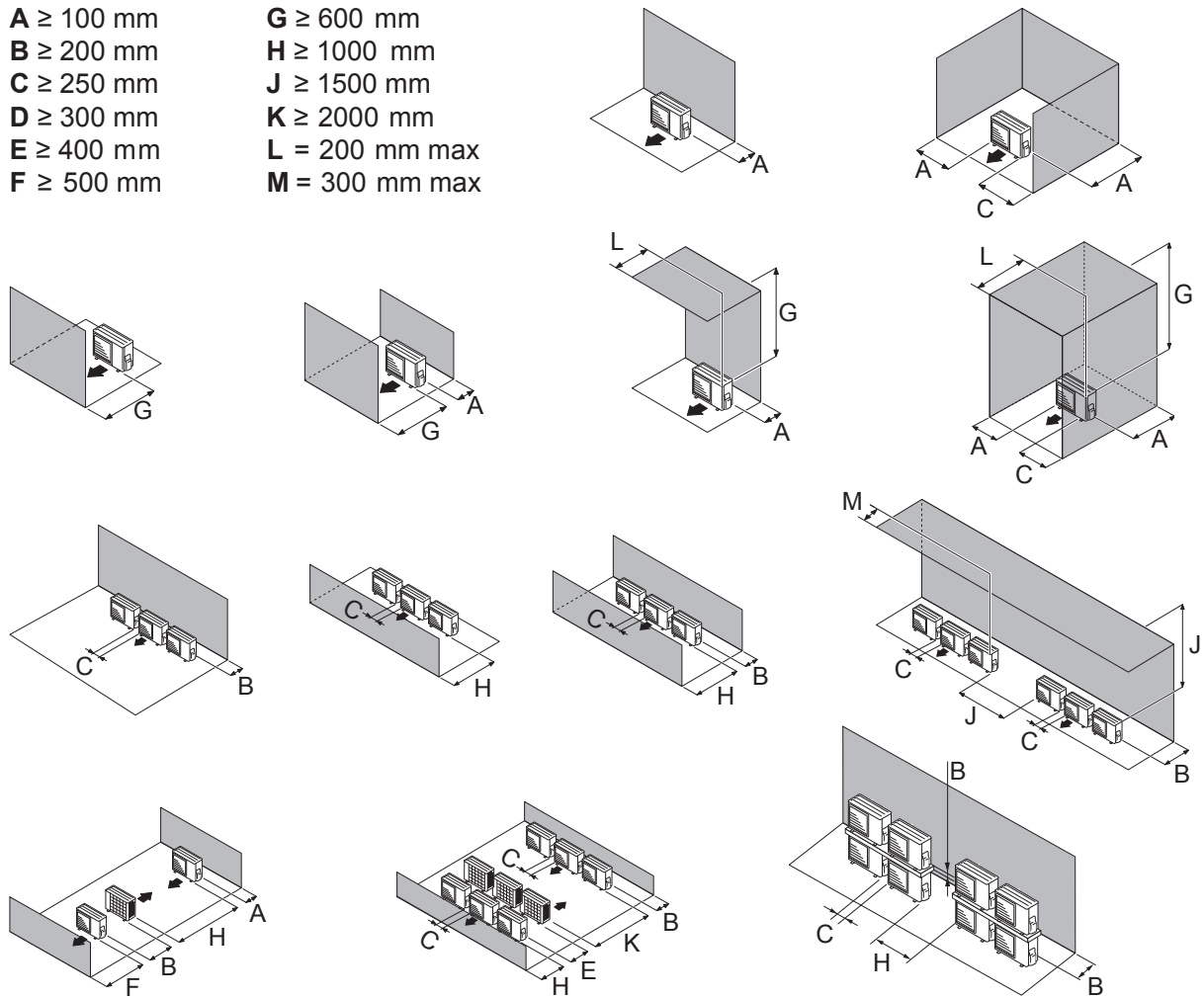
The outdoor unit must only be installed outside. If a shelter is required, it must have broad openings on all 4 sides and following the installation conditions below.

If installation is carried out in an area where the temperature stays below 0°C for long periods, equip the drain pipe with trace heating to avoid it icing up. Trace heating must heat not only the drain pipe but also the bottom of the appliance's condensate collection tank.

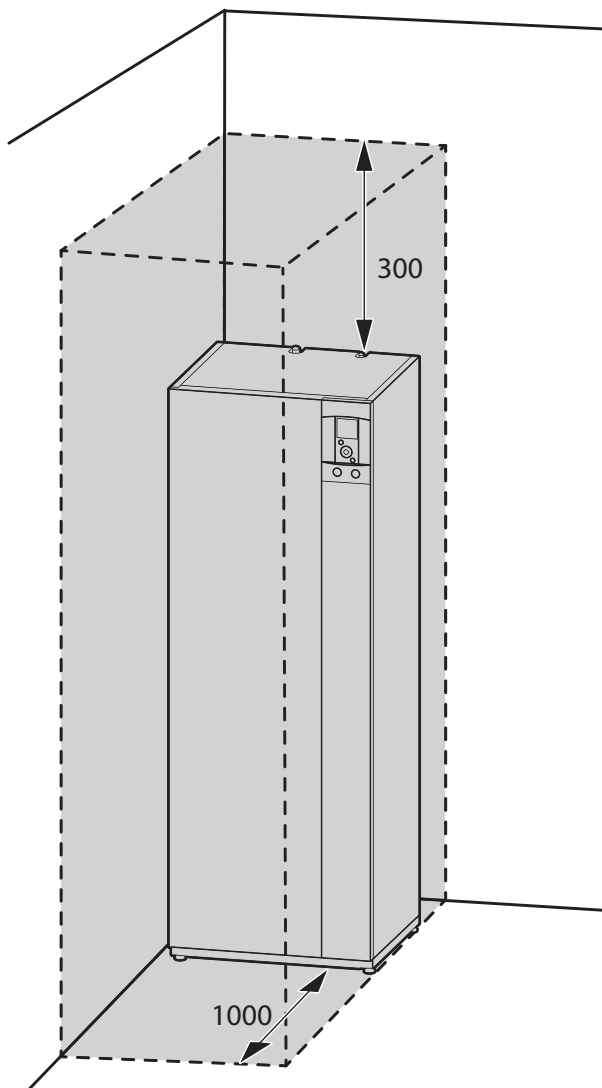
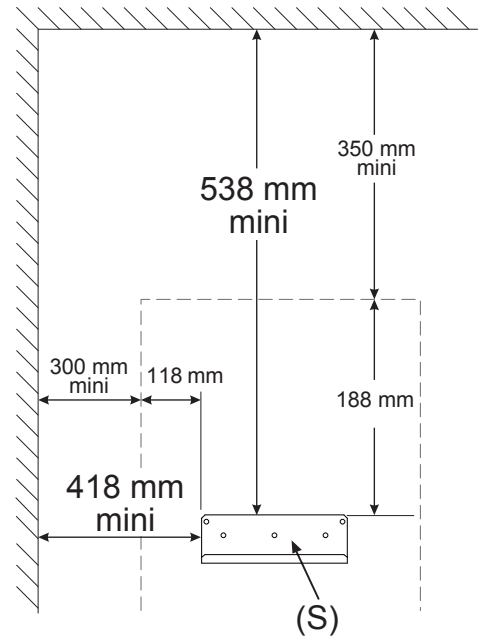
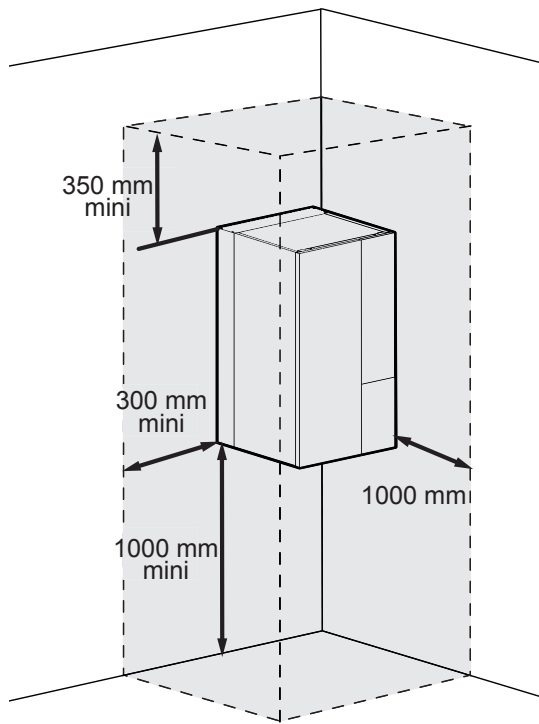
In areas with heavy snowfall, if the intake and outlet of the outdoor unit is blocked with snow, heating may become difficult and a failure is likely to occur.

A ≥ 100 mm
B ≥ 200 mm
C ≥ 250 mm
D ≥ 300 mm
E ≥ 400 mm
F ≥ 500 mm

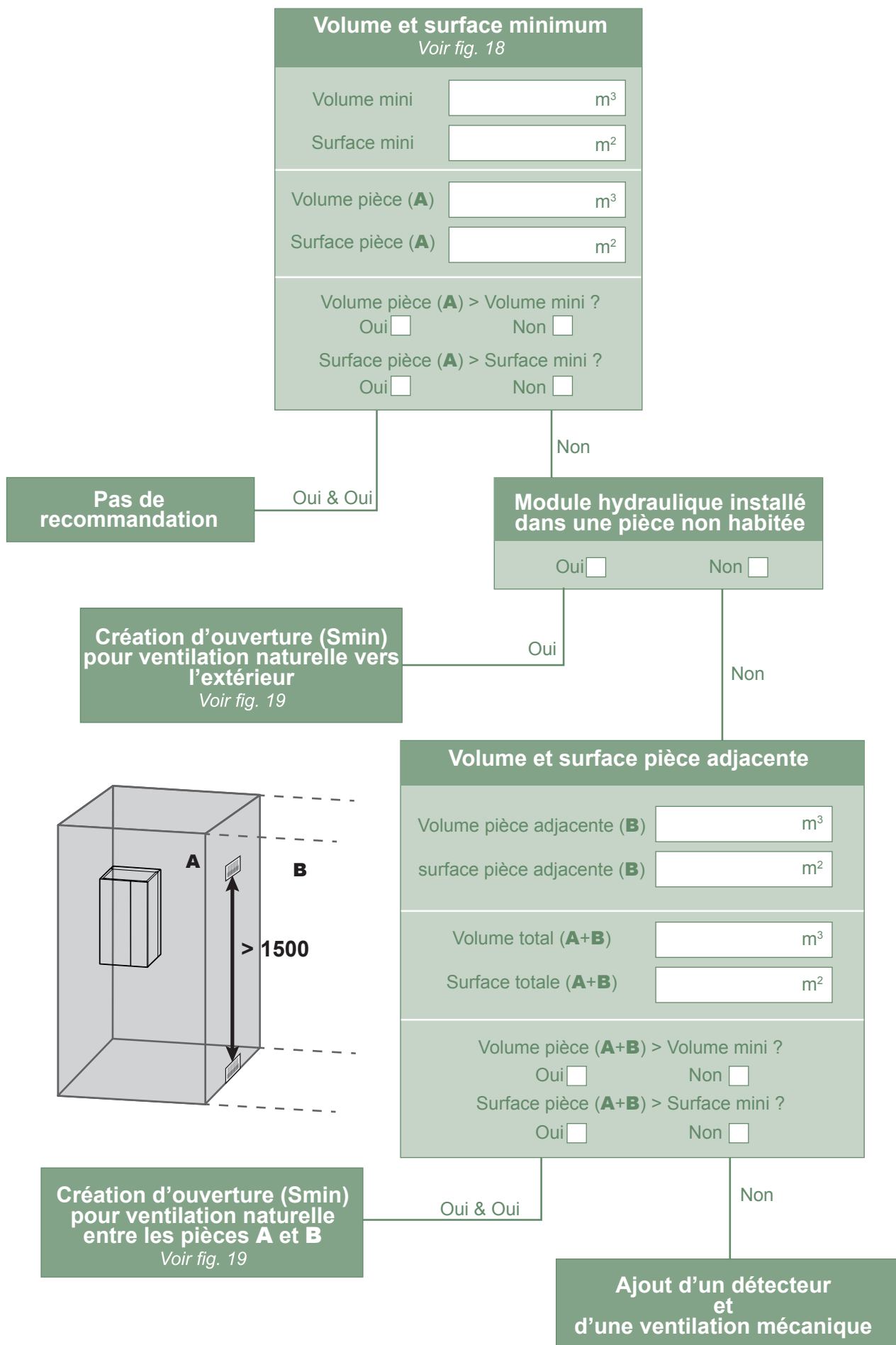
G ≥ 600 mm
H ≥ 1000 mm
J ≥ 1500 mm
K ≥ 2000 mm
L = 200 mm max
M = 300 mm max



Hydraulic units



Mini room surface and volume (Please see all information on manuals 2112 or 2114) :



► Connection pipes

	Alféa Extensa A.I. 5 R32 Alféa Extensa A.I. Duo 5 R32	Alféa Extensa A.I. 6 R32 Alféa Extensa A.I. Duo 6 R32	Alféa Extensa A.I. 8 R32 Alféa Extensa A.I. Duo 8 R32
Input and Output Circuit heating diameters (male thread) (inch)	1	1	1
Diameter of «Gaz» pipes (inch)	1/2	1/2	1/2
Diameter of «Liquid» pipes (inch)	1/4	1/4	1/4

► ERP datas

	Alféa Extensa A.I. 5 R32 Alféa Extensa A.I. Duo 5 R32	Alféa Extensa A.I. 6 R32 Alféa Extensa A.I. Duo 6 R32	Alféa Extensa A.I. 8 R32 Alféa Extensa A.I. Duo 8 R32
Energy class - heating (35°/55°)	A+++ / A++	A+++ / A++	A+++ / A++
Rated heat output (kW)	5 / 5	6 / 5	6 / 6
Energy seasonal efficiency - heating (35°/55°) (%)	175 / 125	175 / 125	177 / 128
Annual energy consumption - heating (35°/55°) (kWh)	2322 / 3035	2594 / 3411	2594 / 3411
Acoustic power (indoor / outdoor) (dBa)	40 / 57	40 / 57	40 / 60

	Alféa Extensa A.I. Duo 5 R32	Alféa Extensa A.I. Duo 6 R32	Alféa Extensa A.I. Duo 8 R32
Filling profil	L	L	L
Energy class	A+	A+	A+
Annual energy consumption (kWh)	793	793	793
Energy efficiency (%)	130	130	130

Performances

► Performances tables in heating mode without electrical back-up

▼ Alféa Extensa A.I. 5 R32 and Alféa Extensa Duo A.I. 5 R32

Test conditions comply with EN 14825 without electrical backup

	Starting temperature																				
	25°C			30°C			35°C			40°C			45°C			50°C			55°C		
	IP	HC	COP	IP	HC	COP	IP	HC	COP	IP	HC	COP	IP	HC	COP	IP	HC	COP	IP	HC	COP
35°C	0.45	4.95	10.98	0.56	4.95	8.79	0.69	4.84	7.01	0.87	4.82	5.56	1.06	4.82	4.56	1.24	4.82	3.87	1.43	4.82	3.36
34°C	0.45	4.94	11.01	0.56	4.94	8.81	0.69	4.83	7.02	0.86	4.81	5.57	1.05	4.81	4.57	1.24	4.81	3.87	1.43	4.81	3.36
33°C	0.45	4.93	11.03	0.56	4.93	8.83	0.69	4.82	7.04	0.86	4.80	5.57	1.05	4.80	4.57	1.24	4.80	3.87	1.43	4.80	3.36
32°C	0.45	4.92	11.05	0.56	4.92	8.84	0.68	4.81	7.05	0.86	4.79	5.58	1.05	4.79	4.57	1.24	4.79	3.88	1.42	4.79	3.36
31°C	0.44	4.91	11.07	0.55	4.91	8.86	0.68	4.80	7.07	0.86	4.78	5.59	1.04	4.78	4.58	1.23	4.78	3.88	1.42	4.78	3.36
30°C	0.44	4.90	11.09	0.55	4.90	8.88	0.68	4.79	7.08	0.85	4.77	5.59	1.04	4.77	4.58	1.23	4.77	3.88	1.42	4.77	3.36
29°C	0.44	4.89	11.12	0.55	4.89	8.90	0.67	4.78	7.09	0.85	4.76	5.60	1.04	4.76	4.58	1.23	4.76	3.88	1.42	4.76	3.36
28°C	0.44	4.88	11.14	0.55	4.88	8.91	0.67	4.77	7.11	0.85	4.75	5.61	1.04	4.75	4.59	1.22	4.75	3.88	1.41	4.75	3.36
27°C	0.44	4.87	11.16	0.55	4.87	8.93	0.67	4.76	7.12	0.84	4.74	5.62	1.03	4.74	4.59	1.22	4.74	3.88	1.41	4.74	3.36
26°C	0.43	4.86	11.18	0.54	4.86	8.95	0.67	4.75	7.14	0.84	4.73	5.62	1.03	4.73	4.59	1.22	4.73	3.88	1.41	4.73	3.36
25°C	0.43	4.85	11.21	0.54	4.85	8.97	0.66	4.74	7.15	0.84	4.72	5.63	1.03	4.72	4.60	1.22	4.72	3.88	1.41	4.72	3.36
24°C	0.43	4.84	11.23	0.54	4.84	8.99	0.66	4.74	7.17	0.84	4.71	5.64	1.03	4.71	4.60	1.21	4.71	3.88	1.40	4.71	3.36
23°C	0.43	4.83	11.25	0.54	4.83	9.00	0.66	4.73	7.18	0.83	4.71	5.64	1.02	4.71	4.60	1.21	4.71	3.88	1.40	4.71	3.36
22°C	0.43	4.82	11.27	0.53	4.82	9.02	0.66	4.72	7.19	0.83	4.70	5.65	1.02	4.70	4.61	1.21	4.70	3.89	1.40	4.70	3.36
21°C	0.43	4.81	11.30	0.53	4.81	9.04	0.65	4.71	7.21	0.83	4.69	5.66	1.02	4.69	4.61	1.21	4.69	3.89	1.39	4.69	3.36
20°C	0.42	4.80	11.32	0.53	4.80	9.06	0.65	4.70	7.22	0.83	4.68	5.67	1.01	4.68	4.61	1.20	4.68	3.89	1.39	4.68	3.36
19°C	0.44	4.79	10.91	0.55	4.79	8.65	0.67	4.69	6.95	0.85	4.67	5.49	1.04	4.67	4.50	1.23	4.67	3.80	1.42	4.67	3.30
18°C	0.45	4.78	10.53	0.58	4.78	8.27	0.70	4.68	6.70	0.87	4.66	5.33	1.06	4.66	4.38	1.25	4.66	3.72	1.44	4.66	3.24
17°C	0.47	4.77	10.18	0.60	4.77	7.92	0.72	4.67	6.46	0.90	4.65	5.18	1.09	4.65	4.28	1.28	4.65	3.65	1.46	4.65	3.18
16°C	0.48	4.76	9.85	0.63	4.76	7.60	0.75	4.66	6.24	0.92	4.64	5.03	1.11	4.64	4.18	1.30	4.64	3.57	1.49	4.64	3.12
15°C	0.50	4.75	9.53	0.65	4.75	7.31	0.77	4.65	6.04	0.95	4.63	4.90	1.13	4.63	4.08	1.32	4.63	3.50	1.51	4.63	3.06
14°C	0.51	4.74	9.24	0.67	4.74	7.03	0.79	4.64	5.84	0.97	4.62	4.77	1.16	4.62	3.99	1.35	4.62	3.43	1.54	4.62	3.01
13°C	0.53	4.73	8.96	0.70	4.73	6.78	0.82	4.63	5.66	0.99	4.61	4.64	1.18	4.61	3.90	1.37	4.61	3.36	1.56	4.61	2.96
12°C	0.54	4.73	8.70	0.72	4.73	6.54	0.84	4.62	5.49	1.02	4.60	4.52	1.21	4.60	3.81	1.40	4.60	3.30	1.58	4.60	2.91
11°C	0.55	4.68	8.53	0.73	4.68	6.41	0.87	4.60	5.31	1.04	4.58	4.40	1.23	4.58	3.72	1.42	4.58	3.23	1.61	4.58	2.85
10°C	0.55	4.64	8.36	0.74	4.64	6.28	0.89	4.58	5.14	1.07	4.56	4.28	1.25	4.56	3.64	1.44	4.56	3.16	1.63	4.56	2.79
9°C	0.56	4.59	8.19	0.75	4.59	6.16	0.91	4.56	4.99	1.09	4.54	4.17	1.28	4.54	3.55	1.47	4.54	3.09	1.66	4.54	2.74
8°C	0.57	4.55	8.03	0.75	4.55	6.04	0.94	4.54	4.84	1.11	4.52	4.06	1.30	4.52	3.47	1.49	4.52	3.03	1.68	4.52	2.69
7°C	0.57	4.50	7.87	0.76	4.50	5.92	0.95	4.50	4.74	1.14	4.50	3.95	1.33	4.50	3.39	1.52	4.50	2.97	1.70	4.50	2.64
6°C	0.68	4.44	6.56	0.81	4.42	5.46	0.98	4.41	4.51	1.15	4.39	3.83	1.31	4.38	3.33	1.48	4.36	2.94	1.65	4.35	2.64
5°C	0.76	4.39	5.79	0.85	4.36	5.14	1.00	4.33	4.33	1.15	4.30	3.74	1.30	4.27	3.28	1.45	4.24	2.92	1.61	4.21	2.63
4°C	0.82	4.35	5.32	0.88	4.31	4.91	1.02	4.27	4.20	1.16	4.23	3.66	1.30	4.19	3.23	1.43	4.15	2.89	1.57	4.11	2.61
3°C	0.85	4.31	5.07	0.89	4.27	4.78	1.03	4.22	4.11	1.16	4.17	3.60	1.29	4.12	3.19	1.42	4.07	2.86	1.56	4.02	2.59
2°C	0.86	4.27	4.95	0.90	4.21	4.69	1.03	4.15	4.04	1.16	4.09	3.53	1.29	4.04	3.13	1.42	3.98	2.80	1.55	3.92	2.53
1°C	0.87	4.30	4.95	0.91	4.24	4.68	1.04	4.18	4.04	1.17	4.12	3.53	1.30	4.06	3.13	1.43	4.00	2.81	1.56	3.92	2.52
0°C	0.88	4.32	4.89	0.92	4.26	4.61	1.06	4.21	3.98	1.19	4.15	3.49	1.32	4.09	3.10	1.45	4.03	2.78	1.58	3.91	2.48
-1°C	0.91	4.35	4.79	0.96	4.29	4.48	1.09	4.24	3.88	1.22	4.18	3.41	1.36	4.12	3.03	1.49	4.06	2.72	1.61	3.91	2.43
-2°C	0.94	4.37	4.64	1.00	4.32	4.30	1.14	4.26	3.74	1.28	4.20	3.30	1.41	4.15	2.94	1.54	4.09	2.65	1.66	3.91	2.36
-3°C	0.99	4.40	4.45	1.06	4.34	4.09	1.20	4.29	3.57	1.34	4.23	3.16	1.48	4.17	2.82	1.61	4.11	2.55	1.72	3.91	2.27
-4°C	1.04	4.42	4.24	1.13	4.37	3.86	1.28	4.32	3.37	1.42	4.26	3.00	1.56	4.20	2.69	1.70	4.14	2.44	1.80	3.91	2.17
-5°C	1.11	4.45	4.01	1.22	4.39	3.61	1.37	4.35	3.17	1.51	4.29	2.83	1.66	4.23	2.55	1.80	4.17	2.31	1.89	3.90	2.07
-6°C	1.18	4.47	3.78	1.31	4.42	3.36	1.48	4.37	2.96	1.62	4.31	2.66	1.77	4.25	2.40	1.92	4.20	2.19	1.99	3.90	1.96
-7°C	1.27	4.50	3.55	1.42	4.44	3.12	1.59	4.40	2.76	1.75	4.34	2.49	1.90	4.28	2.26	2.05	4.22	2.06	2.11	3.90	1.85
-8°C	1.22	4.43	3.63	1.39	4.35	3.13	1.56	4.27	2.73	1.72	4.21	2.44	1.88	4.15	2.20	2.05	4.10	2.00	2.15	3.87	1.80
-9°C	1.17	4.36	3.71	1.35	4.25	3.15	1.53	4.13	2.71	1.70	4.08	2.40	1.87	4.03	2.15	2.04	3.97	1.95	2.18	3.83	1.76
-10°C	1.13	4.29	3.81	1.31	4.15	3.16	1.49	4.00	2.68	1.67	3.95	2.36	1.86	3.90	2.10	2.04	3.85	1.89	2.22	3.80	1.71
-11°C	1.12	4.21	3.75	1.30	4.06	3.12	1.49	3.92	2.64	1.68	3.87	2.31	1.87	3.82	2.04	2.06	3.77	1.83	0.00	0.00	0.00
-12°C	1.12	4.12	3.69	1.30	3.98	3.07	1.48	3.84	2.60	1.68	3.79	2.26	1.88	3.75	1.99	2.09	3.70	1.77	0.00	0.00	0.00
-13°C	1.11	4.04	3.64	1.29	3.90	3.02	1.47	3.76	2.56	1.68	3.72	2.21	1.89	3.67	1.94	2.10	3.62	1.72	0.00	0.00	0.00
-14°C	1.11	3.96	3.58	1.28	3.82	2.98	1.46	3.69	2.52	1.68	3.64	2.17	1.90	3.60	1.89	2.12	3.55	1.68	0.00	0.00	0.00
-15°C	1.10	3.88	3.53	1.28	3.75	2.93	1.46	3.62	2.48	1.68	3.57	2.13	1.90	3.53	1.85	0.00	0.00	0.00	0.00	0.00	0.00
-16°C	1.04	3.78	3.62	1.21	3.66	3.02	1.38	3.54	2.56	1.63	3.50	2.15	1.87	3.46	1.85	0.00	0.00	0.00	0.00	0.00	0.00
-17°C	0.99	3.67	3.70	1.15	3.57	3.09	1.31	3.45	2.63	1.58	3.42	2.17	1.84	3.39	1.84	0.00	0.00	0.00	0.00	0.00	0.00
-18°C	0.94	3.56	3.77	1.10	3.46	3.16	1.25	3.36	2.69	1.53	3.34	2.19	1.81	3.31	1.83	0.00	0.00	0.00	0.00	0.00	0.00
-19°C	0.90	3.44	3.84	1.04	3.36	3.22	1.19	3.26	2.75	1.48	3.25	2.20	0.00	0.00	0.00	0.00	0.00	0.00	0.00	0.00	0.00
-20°C	0.85	3.31	3.89	0.99	3.24	3.28	1.13	3.16	2.80	1.43	3.15	2.20	0.00	0.00	0.00	0.00	0.00	0.00	0.00	0.00	0.00

HC : Heating capacity (kW)
 IP : Input power (kW)
 COP : Coefficient of performance

▼ Alféa Extensa A.I. 6 R32 and Alféa Extensa Duo A.I. 6 R32

Test conditions comply with EN 14825 without electrical backup

		Starting temperature																				
		25°C			30°C			35°C			40°C			45°C			50°C			55°C		
		IP	HC	COP	IP	HC	COP	IP	HC	COP	IP	HC	COP	IP	HC	COP	IP	HC	COP	IP	HC	COP
Outdoor temperature	35°C	0.60	6.05	10.09	0.73	6.05	8.27	0.88	5.92	6.71	1.09	5.89	5.42	1.31	5.89	4.51	1.53	5.89	3.86	1.75	5.89	3.38
	34°C	0.60	6.03	10.11	0.73	6.03	8.28	0.88	5.90	6.72	1.08	5.88	5.43	1.30	5.88	4.51	1.52	5.88	3.86	1.74	5.88	3.38
	33°C	0.59	6.02	10.13	0.73	6.02	8.30	0.87	5.89	6.74	1.08	5.87	5.43	1.30	5.87	4.52	1.52	5.87	3.86	1.74	5.87	3.38
	32°C	0.59	6.01	10.15	0.72	6.01	8.32	0.87	5.88	6.75	1.08	5.86	5.44	1.30	5.86	4.52	1.51	5.86	3.87	1.73	5.86	3.38
	31°C	0.59	6.00	10.17	0.72	6.00	8.33	0.87	5.87	6.76	1.07	5.84	5.45	1.29	5.84	4.52	1.51	5.84	3.87	1.73	5.84	3.38
	30°C	0.59	5.99	10.19	0.72	5.99	8.35	0.86	5.86	6.78	1.07	5.83	5.45	1.29	5.83	4.53	1.51	5.83	3.87	1.73	5.83	3.38
	29°C	0.58	5.97	10.22	0.71	5.97	8.37	0.86	5.85	6.79	1.07	5.82	5.46	1.28	5.82	4.53	1.50	5.82	3.87	1.72	5.82	3.38
	28°C	0.58	5.96	10.24	0.71	5.96	8.38	0.86	5.83	6.80	1.06	5.81	5.47	1.28	5.81	4.53	1.50	5.81	3.87	1.72	5.81	3.38
	27°C	0.58	5.95	10.26	0.71	5.95	8.40	0.85	5.82	6.82	1.06	5.80	5.48	1.28	5.80	4.54	1.50	5.80	3.87	1.72	5.80	3.38
	26°C	0.58	5.94	10.28	0.71	5.94	8.42	0.85	5.81	6.83	1.05	5.79	5.48	1.27	5.79	4.54	1.49	5.79	3.87	1.71	5.79	3.38
	25°C	0.58	5.93	10.30	0.70	5.93	8.43	0.85	5.80	6.85	1.05	5.77	5.49	1.27	5.77	4.54	1.49	5.77	3.87	1.71	5.77	3.38
	24°C	0.57	5.92	10.32	0.70	5.92	8.45	0.84	5.79	6.86	1.05	5.76	5.50	1.27	5.76	4.55	1.49	5.76	3.88	1.71	5.76	3.38
	23°C	0.57	5.90	10.34	0.70	5.90	8.47	0.84	5.78	6.87	1.04	5.75	5.51	1.26	5.75	4.55	1.48	5.75	3.88	1.70	5.75	3.38
	22°C	0.57	5.89	10.36	0.69	5.89	8.48	0.84	5.76	6.89	1.04	5.74	5.51	1.26	5.74	4.55	1.48	5.74	3.88	1.70	5.74	3.38
	21°C	0.57	5.88	10.38	0.69	5.88	8.50	0.83	5.75	6.90	1.04	5.73	5.52	1.26	5.73	4.56	1.48	5.73	3.88	1.70	5.73	3.38
	20°C	0.56	5.87	10.40	0.69	5.87	8.52	0.83	5.74	6.91	1.03	5.72	5.53	1.25	5.72	4.56	1.47	5.72	3.88	1.69	5.72	3.38
	19°C	0.58	5.86	10.06	0.72	5.86	8.17	0.86	5.73	6.67	1.06	5.70	5.37	1.28	5.70	4.45	1.50	5.70	3.80	1.72	5.70	3.32
	18°C	0.60	5.84	9.74	0.75	5.84	7.84	0.89	5.72	6.45	1.09	5.69	5.22	1.31	5.69	4.35	1.53	5.69	3.72	1.75	5.69	3.26
	17°C	0.62	5.83	9.44	0.77	5.83	7.54	0.92	5.71	6.24	1.12	5.68	5.08	1.34	5.68	4.25	1.56	5.68	3.65	1.78	5.68	3.20
	16°C	0.64	5.82	9.16	0.80	5.82	7.26	0.94	5.70	6.04	1.15	5.67	4.94	1.37	5.67	4.15	1.59	5.67	3.58	1.81	5.67	3.14
	15°C	0.65	5.81	8.89	0.83	5.81	7.00	0.97	5.68	5.85	1.18	5.66	4.81	1.39	5.66	4.06	1.61	5.66	3.51	1.83	5.66	3.09
14°C	0.67	5.80	8.64	0.86	5.80	6.75	1.00	5.67	5.67	1.20	5.65	4.69	1.42	5.65	3.97	1.64	5.65	3.44	1.86	5.65	3.03	
13°C	0.69	5.79	8.40	0.89	5.79	6.52	1.03	5.66	5.50	1.23	5.64	4.57	1.45	5.64	3.88	1.67	5.64	3.37	1.89	5.64	2.98	
12°C	0.71	5.78	8.17	0.92	5.78	6.31	1.06	5.65	5.35	1.26	5.63	4.46	1.48	5.63	3.80	1.70	5.63	3.31	1.92	5.63	2.93	
11°C	0.71	5.72	8.01	0.92	5.72	6.18	1.09	5.63	5.18	1.29	5.60	4.35	1.51	5.60	3.71	1.73	5.60	3.24	1.95	5.60	2.88	
10°C	0.72	5.67	7.85	0.93	5.67	6.06	1.11	5.60	5.03	1.32	5.58	4.23	1.54	5.58	3.63	1.76	5.58	3.18	1.98	5.58	2.82	
9°C	0.73	5.61	7.69	0.94	5.61	5.94	1.14	5.58	4.88	1.35	5.55	4.13	1.56	5.55	3.55	1.78	5.55	3.11	2.00	5.55	2.77	
8°C	0.74	5.56	7.54	0.95	5.56	5.82	1.17	5.55	4.74	1.37	5.53	4.02	1.59	5.53	3.47	1.81	5.53	3.05	2.03	5.53	2.72	
7°C	0.74	5.50	7.39	0.96	5.50	5.71	1.18	5.50	4.65	1.40	5.50	3.92	1.62	5.50	3.39	1.84	5.50	2.99	2.06	5.50	2.67	
6°C	0.87	5.41	6.20	1.03	5.39	5.22	1.23	5.37	4.36	1.43	5.35	3.74	1.63	5.33	3.27	1.83	5.32	2.91	2.03	5.30	2.61	
5°C	0.97	5.33	5.48	1.09	5.30	4.87	1.27	5.26	4.14	1.45	5.23	3.60	1.64	5.19	3.17	1.82	5.16	2.84	2.00	5.12	2.56	
4°C	1.04	5.27	5.04	1.13	5.22	4.64	1.30	5.17	3.99	1.47	5.12	3.49	1.64	5.08	3.09	1.81	5.03	2.77	1.98	4.98	2.51	
3°C	1.09	5.22	4.80	1.15	5.16	4.49	1.31	5.10	3.88	1.48	5.05	3.41	1.64	4.99	3.03	1.81	4.93	2.73	1.97	4.87	2.47	
2°C	1.10	5.15	4.68	1.16	5.08	4.40	1.32	5.01	3.80	1.48	4.94	3.34	1.64	4.87	2.96	1.81	4.80	2.66	1.97	4.73	2.40	
1°C	1.11	5.15	4.65	1.16	5.08	4.37	1.33	5.01	3.78	1.49	4.94	3.32	1.65	4.87	2.95	1.81	4.79	2.64	1.97	4.68	2.37	
0°C	1.12	5.15	4.59	1.18	5.08	4.29	1.35	5.01	3.72	1.51	4.94	3.27	1.67	4.86	2.91	1.83	4.79	2.61	1.98	4.63	2.33	
-1°C	1.15	5.15	4.48	1.22	5.08	4.17	1.38	5.01	3.62	1.54	4.93	3.19	1.70	4.86	2.85	1.87	4.78	2.56	2.00	4.57	2.28	
-2°C	1.19	5.15	4.33	1.26	5.08	4.02	1.43	5.01	3.49	1.59	4.93	3.09	1.75	4.85	2.77	1.91	4.77	2.50	2.03	4.52	2.23	
-3°C	1.24	5.15	4.16	1.32	5.07	3.83	1.50	5.01	3.34	1.66	4.93	2.98	1.81	4.85	2.67	1.97	4.77	2.42	2.06	4.46	2.17	
-4°C	1.30	5.15	3.97	1.40	5.07	3.63	1.58	5.00	3.17	1.73	4.92	2.84	1.89	4.84	2.57	2.04	4.76	2.33	2.09	4.41	2.11	
-5°C	1.37	5.15	3.76	1.49	5.07	3.41	1.67	5.00	2.99	1.82	4.92	2.70	1.97	4.83	2.45	2.12	4.75	2.24	2.14	4.36	2.04	
-6°C	1.45	5.15	3.55	1.59	5.07	3.20	1.78	5.00	2.81	1.93	4.92	2.55	2.07	4.83	2.33	2.22	4.74	2.14	2.19	4.30	1.96	
-7°C	1.54	5.15	3.33	1.70	5.07	2.98	1.90	5.00	2.63	2.04	4.91	2.40	2.19	4.82	2.21	2.33	4.74	2.03	2.25	4.25	1.89	
-8°C	1.49	5.06	3.40	1.64	4.94	3.01	1.83	4.83	2.64	1.98	4.73	2.39	2.12	4.63	2.18	2.27	4.53	2.00	2.27	4.17	1.84	
-9°C	1.43	4.97	3.48	1.59	4.82	3.04	1.76	4.67	2.66	1.91	4.55	2.39	2.06	4.44	2.15	2.21	4.33	1.96	2.29	4.08	1.78	
-10°C	1.37	4.89	3.56	1.53	4.69	3.07	1.69	4.50	2.67	1.84	4.38	2.38	2.00	4.25	2.13	2.16	4.13	1.91	2.31	4.00	1.73	
-11°C	1.37	4.79	3.51	1.52	4.60	3.02	1.68	4.41	2.63	1.84	4.29	2.33	2.00	4.17	2.08	2.17	4.04	1.87	0.00	0.00	0.00	
-12°C	1.36	4.69	3.45	1.51	4.51	2.98	1.67	4.32	2.59	1.84	4.20	2.29	2.01	4.08	2.03	2.18	3.96	1.82	0.00	0.00	0.00	
-13°C	1.35	4.60	3.40	1.51	4.42	2.93	1.66	4.24	2.55	1.83	4.12	2.25	2.01	4.00	1.99	2.18	3.88	1.78	0.00	0.00	0.00	
-14°C	1.34	4.51	3.35	1.50	4.33	2.89	1.65	4.15	2.51	1.83	4.04	2.21	2.01	3.92	1.95	2.18	3.80	1.74	0.00	0.00	0.00	
-15°C	1.34	4.42	3.30	1.49	4.24	2.85	1.64	4.07	2.47	1.82	3.95	2.17	2.00	3.84	1.92	0.00	0.00	0.00	0.00	0.00	0.00	
-16°C	1.27	4.30	3.38	1.42	4.14	2.93	1.56	3.98	2.55	1.76	3.88	2.20	1.96	3.77	1.93	0.00	0.00	0.00	0.00	0.00	0.00	
-17°C	1.21	4.18	3.46	1.35	4.04	3.00	1.48	3.89	2.62	1.70	3.79	2.23	1.91	3.69	1.93	0.00	0.00	0.00	0.00	0.00	0.00	
-18°C	1.15	4.05	3.53	1.28	3.92	3.07	1.41	3.78	2.68	1.64	3.70	2.26	1.87	3.61	1.93	0.00	0.00	0.00	0.00	0.00	0.00	
-19°C	1.09	3.91	3.59	1.21	3.80	3.13	1.34	3.67	2.74	1.58	3.59	2.28	0.00	0.00	0.00	0.00	0.00	0.00	0.00	0.00	0.00	
-20°C	1.04	3.77	3.64	1.15	3.67	3.18	1.27	3.55	2.79	1.52	3.48	2.29	0.00	0.00	0.00	0.00	0.00	0.00	0.00	0.00	0.00	

HC : Heating capacity (kW)
 IP : Input power (kW)
 COP : Coefficient of performance

▼ Alféa Extensa A.I. 8 R32 and Alféa Extensa Duo A.I. 8 R32

Test conditions comply with EN 14825 without electrical backup

	Starting temperature																				
	25°C			30°C			35°C			40°C			45°C			50°C			55°C		
	IP	HC	COP	IP	HC	COP	IP	HC	COP	IP	HC	COP	IP	HC	COP	IP	HC	COP	IP	HC	COP
35°C	1.05	8.52	8.14	1.20	8.38	7.00	1.37	8.13	5.94	1.59	7.98	5.02	1.82	7.85	4.30	2.06	7.73	3.75	2.29	7.60	3.31
34°C	1.04	8.50	8.16	1.19	8.37	7.02	1.36	8.11	5.95	1.58	7.96	5.03	1.82	7.84	4.31	2.05	7.71	3.76	2.29	7.59	3.32
33°C	1.04	8.49	8.18	1.19	8.35	7.03	1.36	8.10	5.97	1.58	7.95	5.03	1.81	7.82	4.31	2.05	7.70	3.76	2.28	7.57	3.32
32°C	1.03	8.47	8.19	1.18	8.33	7.04	1.35	8.08	5.98	1.57	7.93	5.04	1.81	7.81	4.32	2.04	7.68	3.76	2.28	7.56	3.32
31°C	1.03	8.45	8.21	1.18	8.32	7.06	1.35	8.07	5.99	1.57	7.92	5.05	1.80	7.79	4.32	2.04	7.67	3.76	2.27	7.54	3.32
30°C	1.03	8.44	8.23	1.17	8.30	7.07	1.34	8.05	6.00	1.56	7.90	5.06	1.80	7.77	4.33	2.03	7.65	3.76	2.27	7.52	3.32
29°C	1.02	8.42	8.24	1.17	8.28	7.09	1.34	8.03	6.01	1.56	7.88	5.06	1.79	7.76	4.33	2.03	7.63	3.77	2.26	7.51	3.32
28°C	1.02	8.40	8.26	1.16	8.27	7.10	1.33	8.02	6.03	1.55	7.87	5.07	1.79	7.74	4.33	2.02	7.62	3.77	2.26	7.49	3.32
27°C	1.01	8.39	8.28	1.16	8.25	7.11	1.33	8.00	6.04	1.55	7.85	5.08	1.78	7.73	4.34	2.02	7.60	3.77	2.25	7.48	3.32
26°C	1.01	8.37	8.29	1.15	8.23	7.13	1.32	7.99	6.05	1.54	7.84	5.09	1.78	7.71	4.34	2.01	7.59	3.77	2.24	7.46	3.32
25°C	1.01	8.35	8.31	1.15	8.22	7.14	1.31	7.97	6.06	1.54	7.82	5.09	1.77	7.69	4.35	2.00	7.57	3.78	2.24	7.44	3.32
24°C	1.00	8.34	8.33	1.15	8.20	7.16	1.31	7.95	6.07	1.53	7.80	5.10	1.76	7.68	4.35	2.00	7.55	3.78	2.23	7.43	3.33
23°C	1.00	8.32	8.34	1.14	8.18	7.17	1.30	7.94	6.09	1.52	7.79	5.11	1.76	7.66	4.36	1.99	7.54	3.78	2.23	7.41	3.33
22°C	0.99	8.30	8.36	1.14	8.17	7.19	1.30	7.92	6.10	1.52	7.77	5.12	1.75	7.65	4.36	1.99	7.52	3.78	2.22	7.40	3.33
21°C	0.99	8.29	8.38	1.13	8.15	7.20	1.29	7.91	6.11	1.51	7.76	5.12	1.75	7.63	4.36	1.98	7.51	3.79	2.22	7.38	3.33
20°C	0.99	8.27	8.39	1.13	8.14	7.21	1.29	7.89	6.12	1.51	7.74	5.13	1.74	7.62	4.37	1.98	7.49	3.79	2.21	7.37	3.33
19°C	1.01	8.25	8.19	1.16	8.12	7.00	1.32	7.87	5.96	1.54	7.73	5.01	1.78	7.60	4.28	2.01	7.48	3.72	2.24	7.35	3.27
18°C	1.03	8.24	8.00	1.19	8.10	6.80	1.35	7.86	5.81	1.57	7.71	4.90	1.81	7.58	4.20	2.04	7.46	3.65	2.28	7.33	3.22
17°C	1.05	8.22	7.81	1.22	8.09	6.61	1.39	7.84	5.66	1.61	7.69	4.79	1.84	7.57	4.11	2.07	7.44	3.59	2.31	7.32	3.17
16°C	1.07	8.20	7.64	1.26	8.07	6.42	1.42	7.83	5.52	1.64	7.68	4.69	1.87	7.55	4.03	2.11	7.43	3.53	2.34	7.30	3.12
15°C	1.10	8.19	7.47	1.29	8.05	6.25	1.45	7.81	5.39	1.67	7.66	4.59	1.90	7.54	3.96	2.14	7.41	3.47	2.37	7.29	3.07
14°C	1.12	8.17	7.31	1.32	8.04	6.09	1.48	7.80	5.26	1.70	7.65	4.49	1.94	7.52	3.88	2.17	7.40	3.41	2.41	7.27	3.02
13°C	1.14	8.15	7.15	1.35	8.02	5.93	1.51	7.78	5.14	1.73	7.63	4.40	1.97	7.51	3.81	2.20	7.38	3.35	2.44	7.26	2.98
12°C	1.16	8.14	7.00	1.39	8.01	5.78	1.55	7.77	5.02	1.77	7.62	4.31	2.00	7.49	3.74	2.24	7.37	3.29	2.47	7.24	2.93
11°C	1.17	8.06	6.86	1.40	7.93	5.66	1.58	7.72	4.89	1.80	7.57	4.21	2.03	7.44	3.66	2.27	7.32	3.23	2.50	7.19	2.87
10°C	1.19	7.98	6.73	1.41	7.85	5.55	1.61	7.67	4.76	1.83	7.52	4.11	2.07	7.40	3.58	2.30	7.27	3.16	2.53	7.15	2.82
9°C	1.20	7.91	6.59	1.43	7.78	5.44	1.64	7.62	4.64	1.86	7.47	4.01	2.10	7.35	3.50	2.33	7.22	3.10	2.57	7.10	2.76
8°C	1.21	7.83	6.46	1.44	7.70	5.33	1.68	7.57	4.52	1.90	7.42	3.92	2.13	7.30	3.43	2.36	7.17	3.03	2.60	7.05	2.71
7°C	1.22	7.75	6.33	1.46	7.63	5.23	1.69	7.50	4.43	1.93	7.38	3.83	2.16	7.25	3.35	2.40	7.13	2.97	2.63	7.00	2.66
6°C	1.27	7.12	5.62	1.47	7.05	5.01	1.66	6.99	4.20	1.92	6.92	3.61	2.17	6.85	3.16	2.43	6.79	2.80	2.68	6.72	2.51
5°C	1.30	6.59	5.06	1.37	6.57	4.80	1.64	6.55	4.00	1.91	6.54	3.42	2.18	6.52	2.99	2.45	6.50	2.65	2.72	6.48	2.38
4°C	1.32	6.15	4.64	1.34	6.17	4.61	1.62	6.20	3.82	1.90	6.22	3.27	2.19	6.24	2.86	2.47	6.27	2.54	2.75	6.29	2.29
3°C	1.34	5.81	4.34	1.32	5.87	4.44	1.61	5.92	3.67	1.90	5.97	3.15	2.19	6.03	2.76	2.48	6.08	2.46	2.77	6.14	2.22
2°C	1.34	5.37	4.00	1.32	5.47	4.15	1.61	5.56	3.46	1.90	5.66	2.98	2.19	5.75	2.63	2.48	5.85	2.36	2.77	5.94	2.15
1°C	1.35	5.44	4.03	1.33	5.51	4.16	1.61	5.58	3.46	1.90	5.66	2.97	2.19	5.74	2.61	2.48	5.81	2.34	2.77	5.87	2.12
0°C	1.37	5.50	4.03	1.35	5.56	4.12	1.63	5.59	3.43	1.92	5.66	2.94	2.21	5.72	2.59	2.50	5.78	2.31	2.77	5.80	2.09
-1°C	1.39	5.57	4.00	1.39	5.60	4.03	1.67	5.61	3.37	1.95	5.65	2.90	2.23	5.70	2.55	2.51	5.74	2.28	2.77	5.73	2.07
-2°C	1.43	5.63	3.94	1.45	5.65	3.90	1.71	5.62	3.29	1.99	5.65	2.84	2.26	5.68	2.51	2.54	5.70	2.24	2.77	5.66	2.04
-3°C	1.48	5.69	3.85	1.52	5.69	3.74	1.77	5.64	3.19	2.04	5.65	2.77	2.31	5.66	2.45	2.58	5.67	2.20	2.78	5.59	2.01
-4°C	1.54	5.76	3.74	1.61	5.73	3.55	1.84	5.65	3.08	2.10	5.65	2.69	2.36	5.64	2.39	2.62	5.63	2.15	2.78	5.51	1.98
-5°C	1.61	5.82	3.62	1.72	5.78	3.36	1.92	5.67	2.95	2.17	5.65	2.60	2.42	5.62	2.32	2.67	5.60	2.10	2.78	5.44	1.96
-6°C	1.69	5.89	3.48	1.85	5.82	3.16	2.02	5.68	2.82	2.25	5.64	2.50	2.49	5.60	2.25	2.73	5.56	2.04	2.79	5.37	1.93
-7°C	1.78	5.95	3.34	1.99	5.87	2.95	2.13	5.70	2.68	2.35	5.64	2.40	2.57	5.58	2.17	2.79	5.52	1.98	2.79	5.30	1.90
-8°C	1.89	5.91	3.13	2.07	5.82	2.81	2.21	5.67	2.56	2.41	5.58	2.32	2.60	5.49	2.11	2.80	5.40	1.93	2.85	5.20	1.83
-9°C	1.99	5.87	2.95	2.15	5.76	2.68	2.30	5.63	2.45	2.47	5.51	2.23	2.64	5.39	2.05	2.81	5.27	1.88	2.90	5.10	1.76
-10°C	2.10	5.83	2.78	2.24	5.71	2.55	2.38	5.60	2.35	2.53	5.45	2.16	2.67	5.30	1.98	2.81	5.15	1.83	2.96	5.00	1.69
-11°C	2.08	5.71	2.74	2.23	5.60	2.51	2.37	5.49	2.31	2.51	5.34	2.13	2.64	5.19	1.97	2.78	5.05	1.82	0.00	0.00	0.00
-12°C	2.07	5.60	2.70	2.22	5.49	2.48	2.36	5.38	2.28	2.49	5.23	2.10	2.61	5.09	1.95	2.74	4.95	1.80	0.00	0.00	0.00
-13°C	2.06	5.49	2.66	2.21	5.38	2.44	2.35	5.27	2.25	2.47	5.13	2.08	2.59	4.99	1.93	2.71	4.85	1.79	0.00	0.00	0.00
-14°C	2.05	5.38	2.62	2.19	5.27	2.40	2.34	5.17	2.21	2.45	5.03	2.05	2.56	4.89	1.91	2.67	4.75	1.78	0.00	0.00	0.00
-15°C	2.04	5.27	2.58	2.18	5.17	2.37	2.32	5.06	2.18	2.43	4.93	2.03	2.54	4.79	1.89	0.00	0.00	0.00	0.00	0.00	0.00
-16°C	1.94	5.13	2.64	2.07	5.04	2.43	2.21	4.95	2.24	2.33	4.83	2.07	2.46	4.70	1.91	0.00	0.00	0.00	0.00	0.00	0.00
-17°C	1.84	4.99	2.70	1.97	4.91	2.49	2.10	4.84	2.31	2.24	4.72	2.11	2.38	4.61	1.93	0.00	0.00	0.00	0.00	0.00	0.00
-18°C	1.75	4.83	2.76	1.87	4.77	2.55	1.99	4.71	2.36	2.15	4.61	2.14	2.31	4.50	1.94	0.00	0.00	0.00	0.00	0.00	0.00
-19°C	1.66	4.67	2.81	1.78	4.62	2.60	1.89	4.57	2.41	2.07	4.48	2.16	0.00	0.00	0.00	0.00	0.00	0.00	0.00	0.00	0.00
-20°C	1.58	4.50	2.85	1.69	4.47	2.64	1.80	4.42	2.46	1.99	4.34	2.18	0.00	0.00	0.00	0.00	0.00	0.00	0.00	0.00	0.00

HC : Heating capacity (kW)
 IP : Input power (kW)
 COP : Coefficient of performance

► Performances tables in heating mode including progressively electrical back-up

▼ Alféa Extensa A.I. 5 R32 and Alféa Extensa Duo A.I. 5 R32

Test conditions comply with EN 14825 with electrical backup

	Starting temperature																				
	25°C			30°C			35°C			40°C			45°C			50°C			55°C		
	IP	HC	COP	IP	HC	COP	IP	HC	COP	IP	HC	COP	IP	HC	COP	IP	HC	COP	IP	HC	COP
35°C	1.23	8.61	7.00	1.47	8.25	5.62	1.54	7.48	4.84	1.71	7.03	4.12	1.89	6.70	3.55	2.07	6.39	3.09	2.25	6.10	2.71
34°C	1.22	8.59	7.01	1.46	8.23	5.63	1.54	7.46	4.85	1.70	7.02	4.13	1.88	6.69	3.56	2.06	6.38	3.09	2.24	6.08	2.71
33°C	1.22	8.57	7.03	1.46	8.22	5.64	1.53	7.45	4.86	1.69	7.00	4.14	1.87	6.67	3.56	2.06	6.36	3.10	2.24	6.07	2.71
32°C	1.22	8.56	7.04	1.45	8.20	5.65	1.53	7.43	4.87	1.69	6.99	4.14	1.87	6.66	3.56	2.05	6.35	3.10	2.23	6.05	2.71
31°C	1.21	8.54	7.06	1.44	8.18	5.67	1.52	7.42	4.88	1.68	6.98	4.15	1.86	6.64	3.57	2.04	6.33	3.10	2.22	6.04	2.71
30°C	1.21	8.52	7.07	1.44	8.17	5.68	1.51	7.40	4.89	1.67	6.96	4.16	1.86	6.63	3.57	2.04	6.32	3.10	2.22	6.02	2.71
29°C	1.20	8.51	7.08	1.43	8.15	5.69	1.51	7.39	4.90	1.67	6.95	4.16	1.85	6.61	3.58	2.03	6.30	3.10	2.21	6.01	2.72
28°C	1.20	8.49	7.10	1.43	8.14	5.70	1.50	7.37	4.91	1.66	6.93	4.17	1.84	6.60	3.58	2.03	6.29	3.11	2.21	5.99	2.72
27°C	1.19	8.47	7.11	1.42	8.12	5.71	1.50	7.36	4.92	1.66	6.92	4.18	1.84	6.58	3.58	2.02	6.28	3.11	2.20	5.98	2.72
26°C	1.19	8.45	7.13	1.42	8.10	5.72	1.49	7.35	4.93	1.65	6.90	4.18	1.83	6.57	3.59	2.01	6.26	3.11	2.19	5.97	2.72
25°C	1.18	8.44	7.14	1.41	8.09	5.73	1.48	7.33	4.94	1.64	6.89	4.19	1.83	6.56	3.59	2.01	6.25	3.11	2.19	5.95	2.72
24°C	1.18	8.42	7.16	1.40	8.07	5.74	1.48	7.32	4.95	1.64	6.87	4.20	1.82	6.54	3.59	2.00	6.23	3.11	2.18	5.94	2.72
23°C	1.17	8.40	7.17	1.40	8.05	5.76	1.47	7.30	4.96	1.63	6.86	4.20	1.81	6.53	3.60	2.00	6.22	3.12	2.18	5.92	2.72
22°C	1.17	8.39	7.18	1.39	8.04	5.77	1.47	7.29	4.97	1.63	6.85	4.21	1.81	6.51	3.60	1.99	6.20	3.12	2.17	5.91	2.72
21°C	1.16	8.37	7.20	1.39	8.02	5.78	1.46	7.27	4.98	1.62	6.83	4.22	1.80	6.50	3.61	1.98	6.19	3.12	2.16	5.89	2.72
20°C	1.16	8.35	7.21	1.38	8.01	5.79	1.45	7.26	4.99	1.61	6.82	4.22	1.80	6.48	3.61	1.98	6.18	3.12	2.16	5.88	2.72
19°C	1.17	8.34	7.13	1.40	7.99	5.72	1.47	7.24	4.93	1.63	6.80	4.18	1.81	6.47	3.57	1.99	6.16	3.09	2.17	5.87	2.70
18°C	1.18	8.32	7.04	1.41	7.97	5.65	1.48	7.23	4.87	1.64	6.79	4.13	1.82	6.46	3.54	2.01	6.15	3.06	2.19	5.85	2.67
17°C	1.19	8.30	6.96	1.43	7.96	5.58	1.50	7.21	4.81	1.66	6.77	4.09	1.84	6.44	3.50	2.02	6.13	3.03	2.20	5.84	2.65
16°C	1.20	8.29	6.88	1.44	7.94	5.51	1.51	7.20	4.76	1.67	6.76	4.04	1.85	6.43	3.47	2.04	6.12	3.01	2.22	5.82	2.63
15°C	1.22	8.27	6.80	1.45	7.93	5.45	1.53	7.19	4.70	1.69	6.75	4.00	1.87	6.41	3.43	2.05	6.10	2.98	2.23	5.81	2.60
14°C	1.23	8.25	6.73	1.47	7.91	5.38	1.54	7.17	4.65	1.70	6.73	3.96	1.88	6.40	3.40	2.06	6.09	2.95	2.25	5.80	2.58
13°C	1.24	8.24	6.65	1.48	7.89	5.32	1.56	7.16	4.60	1.72	6.72	3.92	1.90	6.39	3.37	2.08	6.08	2.92	2.26	5.78	2.56
12°C	1.25	8.22	6.58	1.50	7.88	5.26	1.57	7.14	4.55	1.73	6.70	3.87	1.91	6.37	3.33	2.09	6.06	2.90	2.27	5.77	2.54
11°C	1.36	8.10	5.97	1.59	7.75	4.87	1.69	7.10	4.20	1.85	6.66	3.60	2.03	6.33	3.12	2.21	6.02	2.72	2.39	5.73	2.39
10°C	1.45	7.95	5.49	1.67	7.60	4.55	1.79	7.04	3.92	1.95	6.60	3.38	2.14	6.27	2.94	2.32	5.96	2.57	2.50	5.67	2.27
9°C	1.56	7.83	5.03	1.76	7.47	4.24	1.91	7.00	3.66	2.07	6.56	3.16	2.26	6.23	2.76	2.44	5.92	2.43	2.62	5.63	2.15
8°C	1.65	7.69	4.67	1.84	7.32	3.98	2.02	6.94	3.44	2.18	6.51	2.99	2.36	6.17	2.62	2.54	5.93	2.33	2.72	5.69	2.09
7°C	1.80	7.60	4.23	1.98	7.24	3.66	2.16	6.87	3.18	2.34	6.56	2.80	2.52	6.32	2.50	2.71	6.08	2.25	2.89	5.84	2.02
6°C	2.12	7.56	3.57	2.28	7.27	3.18	2.47	6.98	2.82	2.67	6.73	2.52	2.86	6.53	2.29	3.05	6.34	2.08	3.24	6.14	1.89
5°C	2.37	7.50	3.16	2.52	7.28	2.88	2.72	7.05	2.59	2.92	6.86	2.34	3.12	6.70	2.14	3.32	6.54	1.97	3.52	6.38	1.81
4°C	2.71	7.59	2.80	2.86	7.42	2.60	3.06	7.25	2.37	3.27	7.10	2.17	3.47	6.97	2.01	3.68	6.84	1.86	3.89	6.71	1.73
3°C	2.96	7.64	2.58	3.10	7.51	2.43	3.31	7.38	2.23	3.52	7.27	2.07	3.72	7.16	1.92	3.93	7.06	1.79	4.14	6.95	1.68
2°C	3.29	7.73	2.35	3.43	7.65	2.23	3.64	7.58	2.08	3.85	7.50	1.95	4.06	7.43	1.83	4.27	7.36	1.72	4.48	7.28	1.63
1°C	3.35	7.65	2.28	3.49	7.58	2.17	3.70	7.51	2.03	3.91	7.43	1.90	4.12	7.36	1.79	4.33	7.29	1.68	4.54	7.18	1.58
0°C	3.41	7.57	2.22	3.54	7.50	2.12	3.75	7.43	1.98	3.96	7.36	1.86	4.17	7.29	1.75	4.38	7.22	1.65	4.58	7.09	1.55
-1°C	3.47	7.49	2.16	3.60	7.42	2.06	3.81	7.36	1.93	4.01	7.29	1.82	4.22	7.22	1.71	4.42	7.15	1.62	4.62	6.99	1.51
-2°C	3.52	7.41	2.10	3.66	7.35	2.01	3.86	7.29	1.89	4.06	7.22	1.78	4.26	7.15	1.68	4.46	7.08	1.59	4.64	6.90	1.49
-3°C	3.58	7.34	2.05	3.72	7.27	1.95	3.92	7.21	1.84	4.11	7.15	1.74	4.30	7.08	1.65	4.50	7.02	1.56	4.66	6.80	1.46
-4°C	3.63	7.26	2.00	3.78	7.19	1.91	3.97	7.14	1.80	4.15	7.08	1.70	4.34	7.01	1.62	4.52	6.95	1.54	4.67	6.71	1.44
-5°C	3.69	7.18	1.95	3.83	7.12	1.86	4.02	7.07	1.76	4.19	7.00	1.67	4.37	6.94	1.59	4.54	6.88	1.51	4.66	6.61	1.42
-6°C	3.74	7.10	1.90	3.89	7.04	1.81	4.07	6.99	1.72	4.23	6.93	1.64	4.40	6.87	1.56	4.56	6.81	1.49	4.65	6.52	1.40
-7°C	3.76	6.99	1.86	3.91	6.93	1.77	4.08	6.89	1.69	4.24	6.83	1.61	4.39	6.77	1.54	4.54	6.71	1.48	4.60	6.39	1.39
-8°C	3.86	7.07	1.83	4.03	6.99	1.73	4.20	6.91	1.64	4.36	6.85	1.57	4.52	6.79	1.50	4.69	6.74	1.44	4.79	6.51	1.36
-9°C	3.93	7.12	1.81	4.11	7.01	1.71	4.29	6.89	1.61	4.46	6.84	1.53	4.63	6.79	1.47	4.80	6.73	1.40	4.94	6.59	1.33
-10°C	4.04	7.20	1.78	4.22	7.06	1.67	4.40	6.91	1.57	4.58	6.86	1.50	4.77	6.81	1.43	4.95	6.76	1.37	5.13	6.71	1.31
-11°C	4.12	7.21	1.75	4.30	7.06	1.64	4.49	6.92	1.54	4.68	6.87	1.47	4.87	6.82	1.40	5.06	6.77	1.34	3.00	3.00	1.00
-12°C	4.12	7.12	1.73	4.30	6.98	1.62	4.48	6.84	1.53	4.68	6.79	1.45	4.88	6.75	1.38	5.09	6.70	1.32	3.00	3.00	1.00
-13°C	4.11	7.04	1.71	4.29	6.90	1.61	4.47	6.76	1.51	4.68	6.72	1.43	4.89	6.67	1.36	5.10	6.62	1.30	3.00	3.00	1.00
-14°C	4.11	6.96	1.70	4.28	6.82	1.59	4.46	6.69	1.50	4.68	6.64	1.42	4.90	6.60	1.35	5.12	6.55	1.28	3.00	3.00	1.00
-15°C	4.10	6.88	1.68	4.28	6.75	1.58	4.46	6.62	1.48	4.68	6.57	1.40	4.90	6.53	1.33	3.00	3.00	1.00	3.00	3.00	1.00
-16°C	4.04	6.78	1.68	4.21	6.66	1.58	4.38	6.54	1.49	4.63	6.50	1.40	4.87	6.46	1.33	3.00	3.00	1.00	3.00	3.00	1.00
-17°C	3.99	6.67	1.67	4.15	6.57	1.58	4.31	6.45	1.50	4.58	6.42	1.40	4.84	6.39	1.32	3.00	3.00	1.00	3.00	3.00	1.00
-18°C	3.94	6.56	1.66	4.10	6.46	1.58	4.25	6.36	1.50	4.53	6.34	1.40	4.81	6.31	1.31	3.00	3.00	1.00	3.00	3.00	1.00
-19°C	3.90	6.44	1.65	4.04	6.36	1.57	4.19	6.26	1.50	4.48	6.25	1.39	3.00	3.00	1.00	3.00	3.00	1.00	3.00	3.00	1.00
-20°C	3.85	6.31	1.64	3.99	6.24	1.56	4.13	6.16	1.49	4.43	6.15	1.39	3.00	3.00	1.00	3.00	3.00	1.00	3.00	3.00	1.00

HC : Heating capacity (kW)
 IP : Input power (kW)
 COP : Coefficient of performance

▼ Alféa Extensa A.I. 6 R32 and Alféa Extensa Duo A.I. 6 R32

Test conditions comply with EN 14825 with electrical backup

		Starting temperature																				
		25°C			30°C			35°C			40°C			45°C			50°C			55°C		
		IP	HC	COP	IP	HC	COP	IP	HC	COP	IP	HC	COP	IP	HC	COP	IP	HC	COP	IP	HC	COP
Outdoor temperature	35°C	1.47	9.90	6.75	1.74	9.48	5.44	1.78	8.34	4.70	1.90	7.54	3.97	2.05	6.94	3.39	2.19	6.43	2.93	2.34	5.98	2.55
	34°C	1.46	9.88	6.77	1.74	9.47	5.45	1.77	8.32	4.71	1.89	7.52	3.98	2.04	6.93	3.40	2.19	6.42	2.94	2.33	5.96	2.56
	33°C	1.45	9.86	6.78	1.73	9.45	5.46	1.76	8.30	4.71	1.88	7.51	3.98	2.03	6.91	3.40	2.18	6.40	2.94	2.32	5.94	2.56
	32°C	1.45	9.84	6.79	1.72	9.43	5.47	1.75	8.29	4.72	1.88	7.49	3.99	2.02	6.89	3.41	2.17	6.38	2.94	2.32	5.93	2.56
	31°C	1.44	9.82	6.81	1.72	9.41	5.48	1.75	8.27	4.73	1.87	7.47	4.00	2.02	6.88	3.41	2.16	6.37	2.94	2.31	5.91	2.56
	30°C	1.44	9.80	6.82	1.71	9.39	5.49	1.74	8.25	4.74	1.86	7.46	4.00	2.01	6.86	3.41	2.16	6.35	2.95	2.30	5.89	2.56
	29°C	1.43	9.78	6.83	1.70	9.37	5.50	1.73	8.24	4.75	1.86	7.44	4.01	2.00	6.85	3.42	2.15	6.34	2.95	2.30	5.88	2.56
	28°C	1.43	9.76	6.85	1.70	9.35	5.51	1.73	8.22	4.76	1.85	7.43	4.02	2.00	6.83	3.42	2.14	6.32	2.95	2.29	5.86	2.56
	27°C	1.42	9.74	6.86	1.69	9.33	5.52	1.72	8.20	4.77	1.84	7.41	4.02	1.99	6.81	3.43	2.14	6.30	2.95	2.28	5.85	2.56
	26°C	1.41	9.72	6.87	1.68	9.31	5.53	1.71	8.19	4.78	1.84	7.39	4.03	1.98	6.80	3.43	2.13	6.29	2.95	2.28	5.83	2.56
	25°C	1.41	9.70	6.89	1.68	9.30	5.54	1.71	8.17	4.79	1.83	7.38	4.03	1.98	6.78	3.43	2.12	6.27	2.96	2.27	5.82	2.56
	24°C	1.40	9.68	6.90	1.67	9.28	5.56	1.70	8.15	4.80	1.82	7.36	4.04	1.97	6.77	3.44	2.12	6.26	2.96	2.26	5.80	2.56
	23°C	1.40	9.66	6.92	1.66	9.26	5.57	1.69	8.14	4.81	1.82	7.35	4.05	1.96	6.75	3.44	2.11	6.24	2.96	2.26	5.78	2.56
	22°C	1.39	9.64	6.93	1.66	9.24	5.58	1.69	8.12	4.82	1.81	7.33	4.05	1.96	6.73	3.44	2.10	6.23	2.96	2.25	5.77	2.56
	21°C	1.39	9.62	6.94	1.65	9.22	5.59	1.68	8.11	4.83	1.80	7.32	4.06	1.95	6.72	3.45	2.10	6.21	2.96	2.24	5.75	2.57
	20°C	1.38	9.60	6.96	1.64	9.20	5.60	1.67	8.09	4.84	1.80	7.30	4.07	1.94	6.70	3.45	2.09	6.19	2.97	2.24	5.74	2.57
	19°C	1.39	9.58	6.91	1.65	9.19	5.57	1.68	8.07	4.81	1.80	7.28	4.05	1.95	6.69	3.43	2.09	6.18	2.95	2.24	5.72	2.55
	18°C	1.39	9.57	6.86	1.65	9.17	5.54	1.68	8.06	4.79	1.81	7.27	4.02	1.95	6.67	3.42	2.10	6.16	2.93	2.25	5.70	2.54
	17°C	1.40	9.55	6.81	1.66	9.15	5.51	1.69	8.04	4.76	1.81	7.25	4.00	1.96	6.66	3.40	2.11	6.15	2.92	2.25	5.69	2.53
	16°C	1.41	9.53	6.76	1.67	9.13	5.48	1.69	8.03	4.74	1.82	7.24	3.98	1.96	6.64	3.38	2.11	6.13	2.90	2.26	5.67	2.51
	15°C	1.42	9.51	6.71	1.67	9.11	5.45	1.70	8.01	4.71	1.82	7.22	3.96	1.97	6.63	3.36	2.12	6.12	2.89	2.26	5.66	2.50
14°C	1.42	9.49	6.67	1.68	9.09	5.42	1.71	7.99	4.69	1.83	7.21	3.94	1.98	6.61	3.35	2.12	6.10	2.87	2.27	5.64	2.49	
13°C	1.43	9.47	6.62	1.68	9.08	5.39	1.71	7.98	4.66	1.83	7.19	3.92	1.98	6.59	3.33	2.13	6.08	2.86	2.28	5.63	2.47	
12°C	1.44	9.45	6.58	1.69	9.06	5.36	1.72	7.96	4.64	1.84	7.18	3.90	1.99	6.58	3.31	2.13	6.07	2.84	2.28	5.61	2.46	
11°C	1.54	9.31	6.04	1.77	8.85	5.00	1.83	7.85	4.29	1.95	7.06	3.62	2.10	6.46	3.08	2.24	5.95	2.65	2.39	5.61	2.34	
10°C	1.63	9.16	5.62	1.84	8.63	4.70	1.92	7.72	4.01	2.05	6.93	3.39	2.19	6.33	2.89	2.34	5.95	2.54	2.49	5.70	2.29	
9°C	1.73	9.02	5.20	1.92	8.43	4.39	2.03	7.60	3.74	2.16	6.82	3.16	2.30	6.30	2.74	2.45	6.05	2.47	2.60	5.80	2.23	
8°C	1.82	8.86	4.87	1.99	8.21	4.13	2.13	7.47	3.51	2.25	6.69	2.97	2.40	6.39	2.66	2.55	6.14	2.41	2.69	5.89	2.19	
7°C	1.97	8.76	4.45	2.12	8.05	3.80	2.26	7.33	3.24	2.41	6.80	2.82	2.56	6.54	2.56	2.70	6.29	2.33	2.85	6.04	2.12	
6°C	2.65	8.87	3.34	2.78	8.31	2.99	2.94	7.75	2.64	3.11	7.33	2.36	3.27	7.11	2.17	3.43	6.89	2.01	3.60	6.67	1.85	
5°C	3.21	8.95	2.79	3.32	8.52	2.57	3.50	8.09	2.31	3.68	7.76	2.11	3.85	7.57	1.96	4.03	7.38	1.83	4.21	7.19	1.71	
4°C	3.68	9.02	2.45	3.77	8.70	2.31	3.96	8.38	2.12	4.15	8.12	1.96	4.33	7.96	1.84	4.52	7.79	1.72	4.71	7.62	1.62	
3°C	4.04	9.08	2.25	4.13	8.85	2.14	4.32	8.61	1.99	4.52	8.41	1.86	4.71	8.27	1.75	4.91	8.12	1.65	5.10	7.97	1.56	
2°C	4.50	9.15	2.03	4.58	9.02	1.97	4.78	8.90	1.86	4.97	8.77	1.76	5.17	8.65	1.67	5.36	8.53	1.59	5.56	8.40	1.51	
1°C	4.50	9.04	2.01	4.58	8.92	1.95	4.78	8.80	1.84	4.97	8.68	1.75	5.17	8.56	1.66	5.36	8.44	1.57	5.56	8.27	1.49	
0°C	4.50	8.93	1.98	4.59	8.81	1.92	4.78	8.70	1.82	4.98	8.58	1.72	5.17	8.47	1.64	5.36	8.35	1.56	5.54	8.14	1.47	
-1°C	4.50	8.82	1.96	4.59	8.71	1.89	4.79	8.60	1.80	4.98	8.49	1.70	5.17	8.37	1.62	5.36	8.26	1.54	5.52	8.02	1.45	
-2°C	4.51	8.71	1.93	4.60	8.60	1.87	4.80	8.50	1.77	4.99	8.39	1.68	5.17	8.28	1.60	5.36	8.17	1.53	5.50	7.89	1.43	
-3°C	4.51	8.59	1.90	4.62	8.49	1.84	4.82	8.40	1.74	4.99	8.30	1.66	5.17	8.19	1.58	5.35	8.09	1.51	5.46	7.76	1.42	
-4°C	4.52	8.48	1.88	4.63	8.39	1.81	4.83	8.30	1.72	5.00	8.20	1.64	5.18	8.10	1.56	5.35	8.00	1.50	5.42	7.63	1.41	
-5°C	4.53	8.37	1.85	4.65	8.28	1.78	4.85	8.20	1.69	5.02	8.10	1.62	5.18	8.01	1.55	5.34	7.91	1.48	5.37	7.51	1.40	
-6°C	4.53	8.26	1.82	4.68	8.17	1.75	4.88	8.10	1.66	5.03	8.01	1.59	5.18	7.92	1.53	5.34	7.82	1.47	5.31	7.38	1.39	
-7°C	4.54	8.15	1.79	4.70	8.07	1.72	4.90	8.00	1.63	5.04	7.91	1.57	5.19	7.82	1.51	5.33	7.74	1.45	5.25	7.25	1.38	
-8°C	4.49	8.06	1.80	4.64	7.94	1.71	4.83	7.83	1.62	4.98	7.73	1.55	5.12	7.63	1.49	5.27	7.53	1.43	5.27	7.17	1.36	
-9°C	4.43	7.97	1.80	4.59	7.82	1.70	4.76	7.67	1.61	4.91	7.55	1.54	5.06	7.44	1.47	5.21	7.33	1.41	5.29	7.08	1.34	
-10°C	4.37	7.89	1.80	4.53	7.69	1.70	4.69	7.50	1.60	4.84	7.38	1.52	5.00	7.25	1.45	5.16	7.13	1.38	5.31	7.00	1.32	
-11°C	4.37	7.79	1.78	4.52	7.60	1.68	4.68	7.41	1.58	4.84	7.29	1.51	5.00	7.17	1.43	5.17	7.04	1.36	3.00	3.00	1.00	
-12°C	4.36	7.69	1.77	4.51	7.51	1.66	4.67	7.32	1.57	4.84	7.20	1.49	5.01	7.08	1.41	5.18	6.96	1.35	3.00	3.00	1.00	
-13°C	4.35	7.60	1.75	4.51	7.42	1.65	4.66	7.24	1.55	4.83	7.12	1.47	5.01	7.00	1.40	5.18	6.88	1.33	3.00	3.00	1.00	
-14°C	4.34	7.51	1.73	4.50	7.33	1.63	4.65	7.15	1.54	4.83	7.04	1.46	5.01	6.92	1.38	5.18	6.80	1.31	3.00	3.00	1.00	
-15°C	4.34	7.42	1.71	4.49	7.24	1.61	4.64	7.07	1.52	4.82	6.95	1.44	5.00	6.84	1.37	3.00	3.00	1.00	3.00	3.00	1.00	
-16°C	4.27	7.30	1.71	4.42	7.14	1.62	4.56	6.98	1.53	4.76	6.88	1.45	4.96	6.77	1.37	3.00	3.00	1.00	3.00	3.00	1.00	
-17°C	4.21	7.18	1.71	4.35	7.04	1.62	4.48	6.89	1.54	4.70	6.79	1.45	4.91	6.69	1.36	3.00	3.00	1.00	3.00	3.00	1.00	
-18°C	4.15	7.05	1.70	4.28	6.92	1.62	4.41	6.78	1.54	4.64	6.70	1.44	4.87	6.61	1.36	3.00	3.00	1.00	3.00	3.00	1.00	
-19°C	4.09	6.91	1.69	4.21	6.80	1.61	4.34	6.67	1.54	4.58	6.59	1.44	3.00	3.00	1.00	3.00	3.00	1.00	3.00	3.00	1.00	
-20°C	4.04	6.77	1.68	4.15	6.67	1.61	4.27	6.55	1.53	4.52	6.48	1.43	3.00	3.00	1.00	3.00	3.00	1.00	3.00	3.00	1.00	

HC : Heating capacity (kW)

IP : Input power (kW)

COP : Coefficient of performance

▼ Alféa Extensa A.I. 8 R32 and Alféa Extensa Duo A.I. 8 R32

Test conditions comply with EN 14825 with electrical backup

	Starting temperature																				
	25°C			30°C			35°C			40°C			45°C			50°C			55°C		
	IP	HC	COP	IP	HC	COP	IP	HC	COP	IP	HC	COP	IP	HC	COP	IP	HC	COP	IP	HC	COP
35°C	1.80	12.66	7.02	2.19	12.15	5.56	2.20	10.59	4.82	2.37	9.76	4.13	2.58	9.19	3.57	2.79	8.69	3.12	3.00	8.23	2.74
34°C	1.80	12.63	7.03	2.18	12.13	5.57	2.19	10.57	4.83	2.36	9.74	4.13	2.57	9.17	3.57	2.78	8.67	3.12	2.99	8.21	2.74
33°C	1.79	12.61	7.05	2.17	12.10	5.58	2.18	10.55	4.84	2.35	9.72	4.14	2.56	9.15	3.58	2.77	8.65	3.12	2.98	8.19	2.74
32°C	1.78	12.58	7.06	2.16	12.08	5.59	2.17	10.53	4.85	2.34	9.70	4.15	2.55	9.13	3.58	2.76	8.63	3.12	2.97	8.17	2.74
31°C	1.77	12.56	7.07	2.15	12.05	5.60	2.16	10.51	4.86	2.33	9.68	4.15	2.54	9.11	3.58	2.75	8.61	3.13	2.97	8.14	2.75
30°C	1.77	12.53	7.09	2.14	12.03	5.61	2.15	10.49	4.87	2.32	9.66	4.16	2.53	9.09	3.59	2.75	8.59	3.13	2.96	8.12	2.75
29°C	1.76	12.51	7.10	2.14	12.01	5.62	2.14	10.47	4.88	2.31	9.64	4.17	2.53	9.07	3.59	2.74	8.57	3.13	2.95	8.10	2.75
28°C	1.75	12.48	7.12	2.13	11.98	5.63	2.13	10.44	4.89	2.31	9.62	4.17	2.52	9.05	3.60	2.73	8.55	3.13	2.94	8.08	2.75
27°C	1.75	12.46	7.13	2.12	11.96	5.65	2.13	10.42	4.90	2.30	9.60	4.18	2.51	9.03	3.60	2.72	8.53	3.14	2.93	8.06	2.75
26°C	1.74	12.43	7.15	2.11	11.93	5.66	2.12	10.40	4.91	2.29	9.58	4.19	2.50	9.01	3.60	2.71	8.51	3.14	2.92	8.04	2.75
25°C	1.73	12.41	7.16	2.10	11.91	5.67	2.11	10.38	4.92	2.28	9.56	4.19	2.49	8.99	3.61	2.70	8.49	3.14	2.91	8.02	2.75
24°C	1.73	12.38	7.17	2.09	11.89	5.68	2.10	10.36	4.93	2.27	9.54	4.20	2.48	8.97	3.61	2.69	8.47	3.14	2.91	8.00	2.75
23°C	1.72	12.36	7.19	2.08	11.86	5.69	2.09	10.34	4.94	2.26	9.52	4.21	2.47	8.95	3.62	2.69	8.45	3.14	2.90	7.98	2.75
22°C	1.71	12.33	7.20	2.08	11.84	5.70	2.08	10.32	4.95	2.25	9.50	4.21	2.47	8.93	3.62	2.68	8.43	3.15	2.89	7.96	2.76
21°C	1.71	12.31	7.22	2.07	11.82	5.71	2.08	10.30	4.96	2.25	9.48	4.22	2.46	8.91	3.62	2.67	8.41	3.15	2.88	7.94	2.76
20°C	1.70	12.28	7.23	2.06	11.79	5.72	2.07	10.28	4.97	2.24	9.46	4.23	2.45	8.89	3.63	2.66	8.39	3.15	2.87	7.92	2.76
19°C	1.70	12.26	7.21	2.06	11.77	5.71	2.07	10.26	4.96	2.24	9.44	4.21	2.45	8.87	3.63	2.66	8.37	3.14	2.87	7.90	2.75
18°C	1.70	12.23	7.20	2.06	11.74	5.69	2.07	10.24	4.94	2.24	9.42	4.20	2.45	8.85	3.61	2.66	8.35	3.13	2.88	7.88	2.74
17°C	1.70	12.21	7.18	2.06	11.72	5.68	2.07	10.22	4.93	2.24	9.40	4.19	2.45	8.83	3.60	2.67	8.33	3.12	2.88	7.86	2.73
16°C	1.70	12.19	7.16	2.07	11.70	5.66	2.07	10.20	4.92	2.24	9.38	4.18	2.46	8.81	3.59	2.67	8.31	3.11	2.88	7.84	2.72
15°C	1.70	12.16	7.15	2.07	11.67	5.65	2.08	10.18	4.90	2.25	9.36	4.17	2.46	8.79	3.58	2.67	8.29	3.11	2.88	7.82	2.72
14°C	1.70	12.14	7.13	2.07	11.65	5.63	2.08	10.16	4.89	2.25	9.34	4.15	2.46	8.77	3.57	2.67	8.27	3.10	2.88	7.80	2.71
13°C	1.70	12.11	7.11	2.07	11.63	5.62	2.08	10.14	4.88	2.25	9.32	4.14	2.46	8.75	3.56	2.67	8.25	3.09	2.88	7.78	2.70
12°C	1.70	12.09	7.09	2.07	11.61	5.60	2.08	10.12	4.86	2.25	9.30	4.13	2.46	8.73	3.55	2.67	8.23	3.08	2.89	7.76	2.69
11°C	1.79	11.73	6.54	2.13	11.21	5.26	2.19	9.92	4.54	2.36	9.11	3.86	2.57	8.54	3.32	2.78	8.04	2.89	2.99	7.57	2.53
10°C	1.87	11.36	6.08	2.17	10.80	4.97	2.28	9.72	4.26	2.45	8.90	3.63	2.66	8.33	3.13	2.87	7.83	2.73	3.08	7.36	2.39
9°C	1.96	11.00	5.62	2.23	10.41	4.67	2.38	9.52	3.99	2.56	8.71	3.41	2.77	8.14	2.94	2.98	7.64	2.56	3.19	7.30	2.29
8°C	2.03	10.63	5.23	2.27	10.00	4.40	2.48	9.31	3.76	2.65	8.50	3.21	2.86	8.02	2.80	3.07	7.70	2.51	3.28	7.39	2.25
7°C	2.16	10.31	4.77	2.38	9.66	4.07	2.59	9.00	3.48	2.80	8.48	3.03	3.01	8.17	2.71	3.22	7.85	2.44	3.43	7.54	2.20
6°C	2.79	9.90	3.55	2.88	9.44	3.27	3.13	8.98	2.87	3.38	8.63	2.55	3.63	8.42	2.32	3.88	8.22	2.12	4.12	8.01	1.94
5°C	3.30	9.53	2.89	3.31	9.24	2.79	3.58	8.95	2.50	3.86	8.73	2.26	4.13	8.62	2.08	4.41	8.50	1.93	4.69	8.39	1.79
4°C	3.73	9.24	2.47	3.67	9.08	2.47	3.97	8.93	2.25	4.27	8.83	2.07	4.56	8.79	1.93	4.86	8.75	1.80	5.15	8.71	1.69
3°C	4.08	9.02	2.21	3.98	8.97	2.25	4.29	8.93	2.08	4.60	8.91	1.94	4.91	8.93	1.82	5.21	8.94	1.72	5.52	8.96	1.62
2°C	4.53	8.72	1.93	4.42	8.82	2.00	4.73	8.91	1.88	5.04	9.00	1.79	5.35	9.10	1.70	5.66	9.19	1.62	5.98	9.28	1.55
1°C	4.53	8.75	1.93	4.42	8.82	1.99	4.73	8.89	1.88	5.04	8.96	1.78	5.35	9.04	1.69	5.67	9.11	1.61	5.97	9.17	1.54
0°C	4.54	8.77	1.93	4.44	8.83	1.99	4.75	8.86	1.87	5.06	8.92	1.76	5.36	8.98	1.67	5.67	9.04	1.59	5.97	9.06	1.52
-1°C	4.56	8.80	1.93	4.48	8.83	1.97	4.77	8.84	1.85	5.07	8.88	1.75	5.38	8.92	1.66	5.68	8.97	1.58	5.96	8.95	1.50
-2°C	4.58	8.82	1.93	4.53	8.84	1.95	4.81	8.82	1.83	5.10	8.84	1.73	5.40	8.87	1.64	5.69	8.89	1.56	5.94	8.84	1.49
-3°C	4.61	8.85	1.92	4.59	8.84	1.93	4.85	8.79	1.81	5.14	8.80	1.71	5.42	8.81	1.63	5.70	8.82	1.55	5.92	8.74	1.48
-4°C	4.64	8.87	1.91	4.67	8.85	1.90	4.91	8.77	1.79	5.18	8.76	1.69	5.45	8.75	1.61	5.72	8.74	1.53	5.89	8.63	1.46
-5°C	4.68	8.90	1.90	4.76	8.86	1.86	4.97	8.75	1.76	5.23	8.72	1.67	5.48	8.70	1.59	5.74	8.67	1.51	5.86	8.52	1.45
-6°C	4.73	8.92	1.89	4.87	8.86	1.82	5.04	8.72	1.73	5.28	8.68	1.64	5.52	8.64	1.56	5.76	8.60	1.49	5.83	8.41	1.44
-7°C	4.78	8.95	1.87	4.99	8.87	1.78	5.13	8.70	1.70	5.35	8.64	1.62	5.57	8.58	1.54	5.79	8.52	1.47	5.79	8.30	1.43
-8°C	4.89	8.91	1.82	5.07	8.82	1.74	5.21	8.67	1.66	5.41	8.58	1.59	5.60	8.49	1.51	5.80	8.40	1.45	5.85	8.20	1.40
-9°C	4.99	8.87	1.78	5.15	8.76	1.70	5.30	8.63	1.63	5.47	8.51	1.56	5.64	8.39	1.49	5.81	8.27	1.42	5.90	8.10	1.37
-10°C	5.10	8.83	1.73	5.24	8.71	1.66	5.38	8.60	1.60	5.53	8.45	1.53	5.67	8.30	1.46	5.81	8.15	1.40	5.96	8.00	1.34
-11°C	5.08	8.71	1.71	5.23	8.60	1.64	5.37	8.49	1.58	5.51	8.34	1.51	5.64	8.19	1.45	5.78	8.05	1.39	3.00	3.00	1.00
-12°C	5.07	8.60	1.69	5.22	8.49	1.63	5.36	8.38	1.56	5.49	8.23	1.50	5.61	8.09	1.44	5.74	7.95	1.38	3.00	3.00	1.00
-13°C	5.06	8.49	1.68	5.21	8.38	1.61	5.35	8.27	1.55	5.47	8.13	1.49	5.59	7.99	1.43	5.71	7.85	1.37	3.00	3.00	1.00
-14°C	5.05	8.38	1.66	5.19	8.27	1.59	5.34	8.17	1.53	5.45	8.03	1.47	5.56	7.89	1.42	5.67	7.75	1.37	3.00	3.00	1.00
-15°C	5.04	8.27	1.64	5.18	8.17	1.58	5.32	8.06	1.51	5.43	7.93	1.46	5.54	7.79	1.41	3.00	3.00	1.00	3.00	3.00	1.00
-16°C	4.94	8.13	1.65	5.07	8.04	1.59	5.21	7.95	1.53	5.33	7.83	1.47	5.46	7.70	1.41	3.00	3.00	1.00	3.00	3.00	1.00
-17°C	4.84	7.99	1.65	4.97	7.91	1.59	5.10	7.84	1.54	5.24	7.72	1.47	5.38	7.61	1.41	3.00	3.00	1.00	3.00	3.00	1.00
-18°C	4.75	7.83	1.65	4.87	7.77	1.60	4.99	7.71	1.54	5.15	7.61	1.48	5.31	7.50	1.41	3.00	3.00	1.00	3.00	3.00	1.00
-19°C	4.66	7.67	1.64	4.78	7.62	1.60	4.89	7.57	1.55	5.07	7.48	1.48	5.30	7.40	1.41	3.00	3.00	1.00	3.00	3.00	1.00
-20°C	4.58	7.50	1.64	4.69	7.47	1.59	4.80	7.42	1.55	4.99	7.34	1.47	5.30	7.30	1.41	3.00	3.00	1.00	3.00	3.00	1.00

HC : Heating capacity (kW)
 IP : Input power (kW)
 COP : Coefficient of performance

► Nominal performances tables in cooling mode

▼ Alféa Extensa A.I. 5 R32 and Alféa Extensa Duo A.I. 5 R32

		Starting temperature																	
		7°C			10°C			13°C			15°C			18°C			22C		
		CC	IP	EER	CC	IP	EER	CC	IP	EER	CC	IP	EER	CC	IP	EER	CC	IP	EER
Outdoor temperature	20°C	5.30	1.50	3.53	5.93	1.55	3.83	6.58	1.60	4.11	7.02	1.63	4.31	7.71	1.67	4.62	8.65	1.73	5.00
	25°C	5.06	1.63	3.10	5.65	1.66	3.40	6.25	1.70	3.68	6.66	1.72	3.87	7.30	1.75	4.17	8.17	1.79	4.56
	30°C	4.82	1.76	2.74	5.37	1.77	3.03	5.92	1.80	3.29	6.30	1.81	3.48	6.89	1.83	3.77	7.69	1.85	4.16
	35°C	4.59	1.89	2.43	5.08	1.89	2.69	5.59	1.90	2.94	5.94	1.90	3.13	6.47	1.91	3.39	7.21	1.92	3.76
	40°C	3.08	1.31	2.35	3.45	1.32	2.61	3.84	1.34	2.87	4.11	1.34	3.07	4.53	1.35	3.36	5.13	1.37	3.74
46°C	2.38	1.30	1.83	2.68	1.29	2.08	3.01	1.30	2.32	3.25	1.30	2.50	3.62	1.31	2.76	4.17	1.34	3.11	

▼ Alféa Extensa A.I. 6 R32 and Alféa Extensa Duo A.I. 6 R32

		Starting temperature																	
		7°C			10°C			13°C			15°C			18°C			22C		
		CC	IP	EER	CC	IP	EER	CC	IP	EER	CC	IP	EER	CC	IP	EER	CC	IP	EER
Outdoor temperature	20°C	6.35	1.92	3.31	6.98	1.94	3.60	7.61	1.96	3.88	8.03	1.97	4.08	8.67	1.98	4.38	9.52	1.99	4.78
	25°C	5.76	1.91	3.02	6.35	1.92	3.31	6.94	1.94	3.58	7.33	1.95	3.76	7.94	1.96	4.05	8.75	1.97	4.44
	30°C	5.17	1.90	2.72	5.72	1.90	3.01	6.27	1.92	3.27	6.63	1.93	3.44	7.21	1.94	3.72	7.98	1.95	4.09
	35°C	4.59	1.89	2.43	5.08	1.89	2.69	5.59	1.90	2.94	5.94	1.90	3.13	6.47	1.91	3.39	7.21	1.92	3.76
	40°C	3.08	1.31	2.35	3.45	1.32	2.61	3.84	1.34	2.87	4.11	1.34	3.07	4.53	1.35	3.36	5.13	1.37	3.74
	46°C	2.38	1.30	1.83	2.68	1.29	2.08	3.01	1.30	2.32	3.25	1.30	2.50	3.62	1.31	2.76	4.17	1.34	3.11

▼ Alféa Extensa A.I. 8 R32 and Alféa Extensa Duo A.I. 8 R32

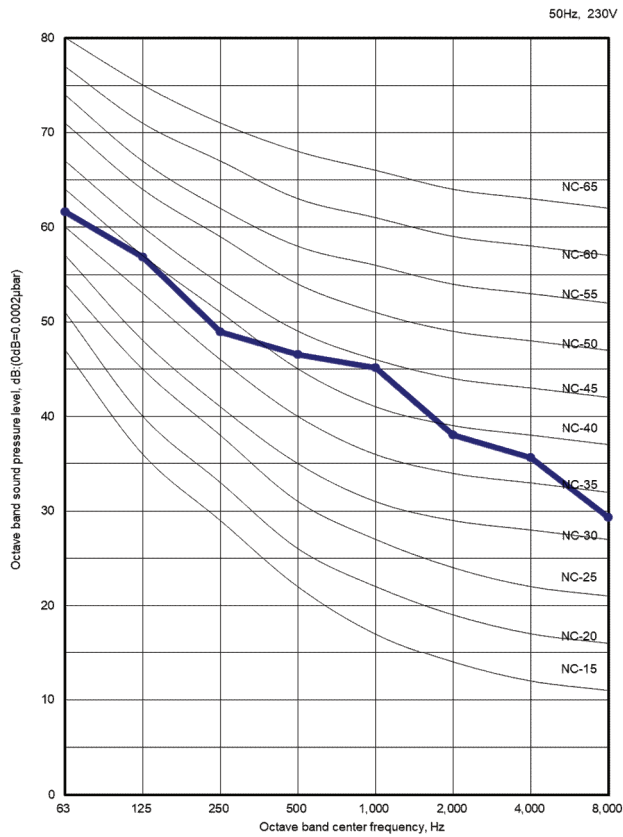
		Starting temperature																	
		7°C			10°C			13°C			15°C			18°C			22C		
		CC	IP	EER	CC	IP	EER	CC	IP	EER	CC	IP	EER	CC	IP	EER	CC	IP	EER
Outdoor temperature	20°C	6.43	1.88	3.42	7.34	2.07	3.55	8.24	2.24	3.68	8.83	2.34	3.77	9.70	2.46	3.94	10.83	2.58	4.20
	25°C	6.19	2.13	2.91	7.01	2.27	3.09	7.81	2.39	3.27	8.35	2.46	3.39	9.14	2.54	3.60	10.18	2.63	3.87
	30°C	5.96	2.38	2.50	6.68	2.47	2.70	7.38	2.54	2.91	7.87	2.58	3.05	8.58	2.62	3.27	9.53	2.68	3.56
	35°C	5.73	2.64	2.17	6.34	2.66	2.38	6.96	2.68	2.60	7.38	2.69	2.74	8.02	2.71	2.96	8.89	2.73	3.26
	40°C	4.50	2.11	2.13	4.97	2.10	2.37	5.47	2.11	2.59	5.82	2.12	2.75	6.38	2.15	2.97	7.17	2.20	3.26
	46°C	3.63	2.10	1.73	4.05	2.10	1.93	4.48	2.10	2.13	4.78	2.11	2.27	5.25	2.12	2.48	5.90	2.14	2.76

CC : Cooling capacity (kW)
 IP : Input power (kW)
 EER : Energy Efficiency Ratio

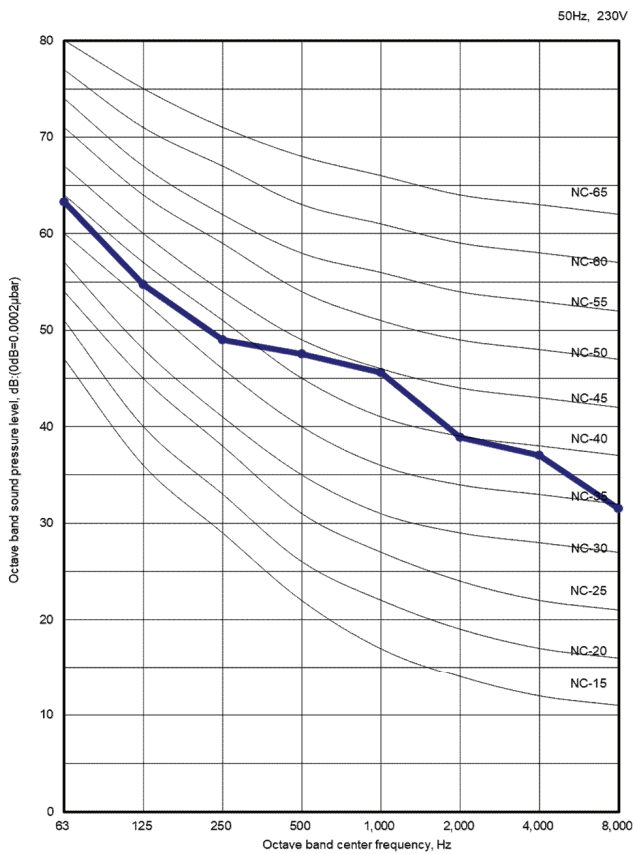
Sound power of the outdoor unit

► Sound power curves in heating mode

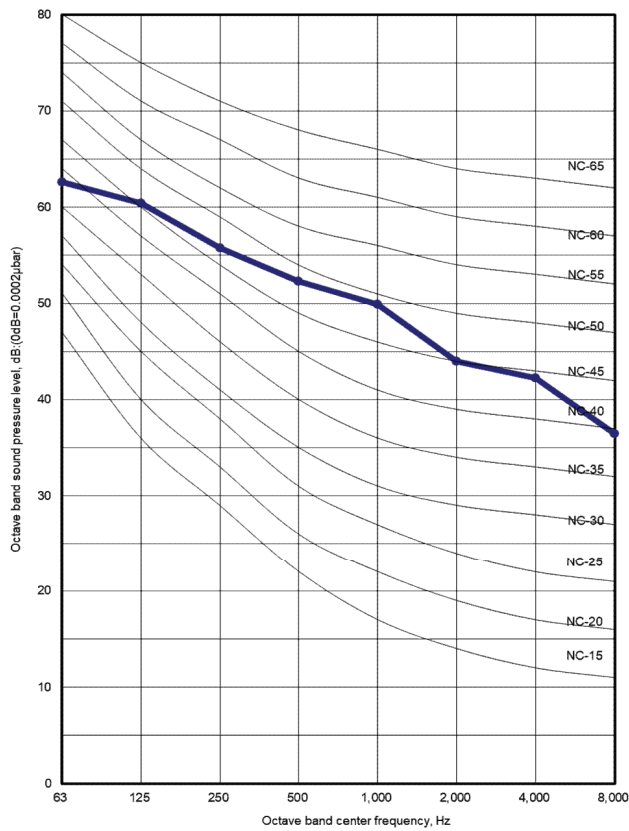
▼ Alféa Extensa A.I. 5 R32 and Alféa Extensa Duo A.I. 5 R32



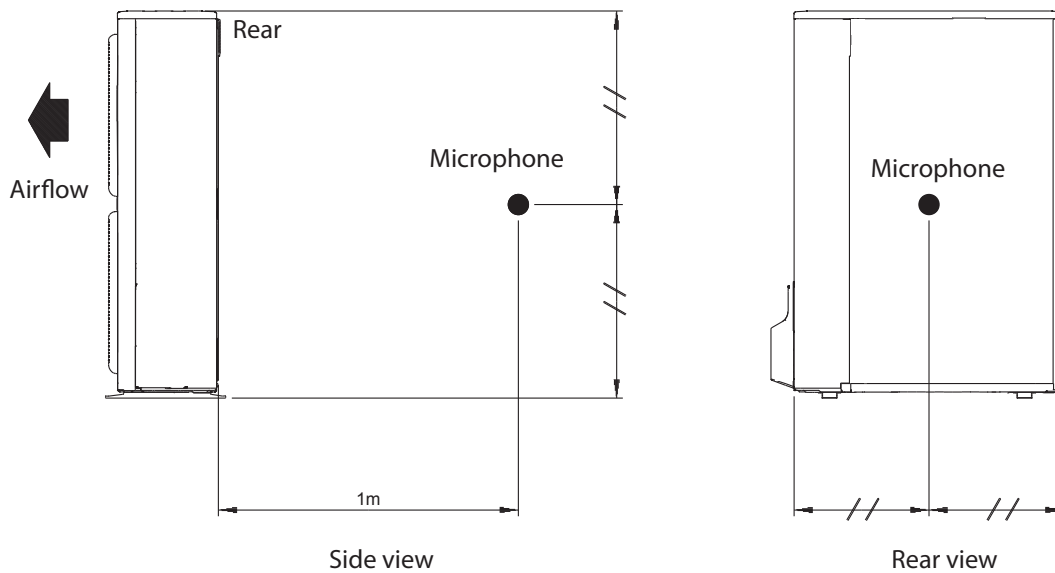
▼ Alféa Extensa A.I. 6 R32 and Alféa Extensa Duo A.I. 6 R32



▼ Alféa Extensa A.I. 8 R32 and Alféa Extensa Duo A.I. 8 R32



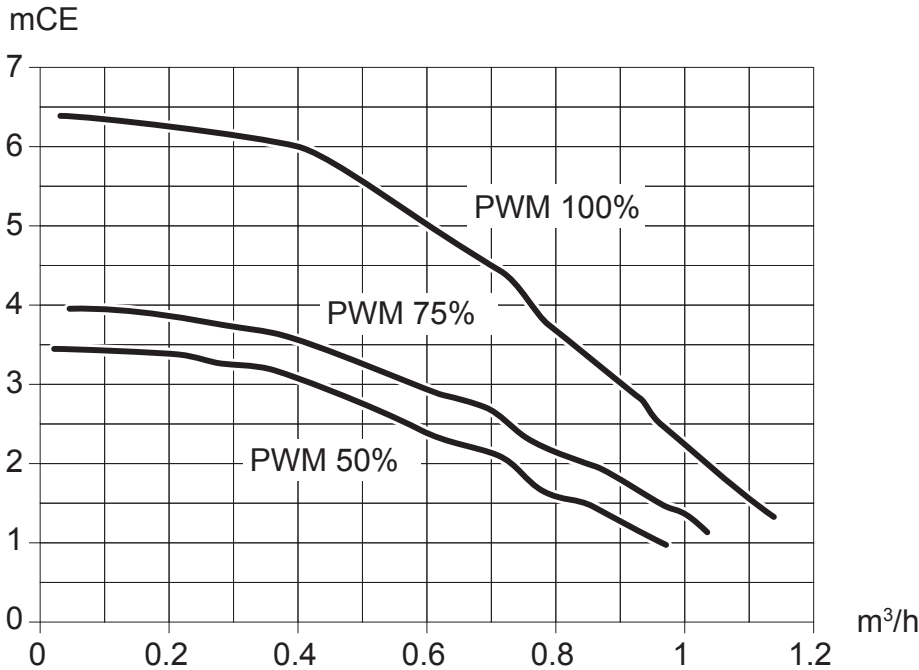
► Sound level check point



NOTE : Detailed shape of the actual outdoor unit might be slightly different from the one illustrated above.

Hydraulic circuit

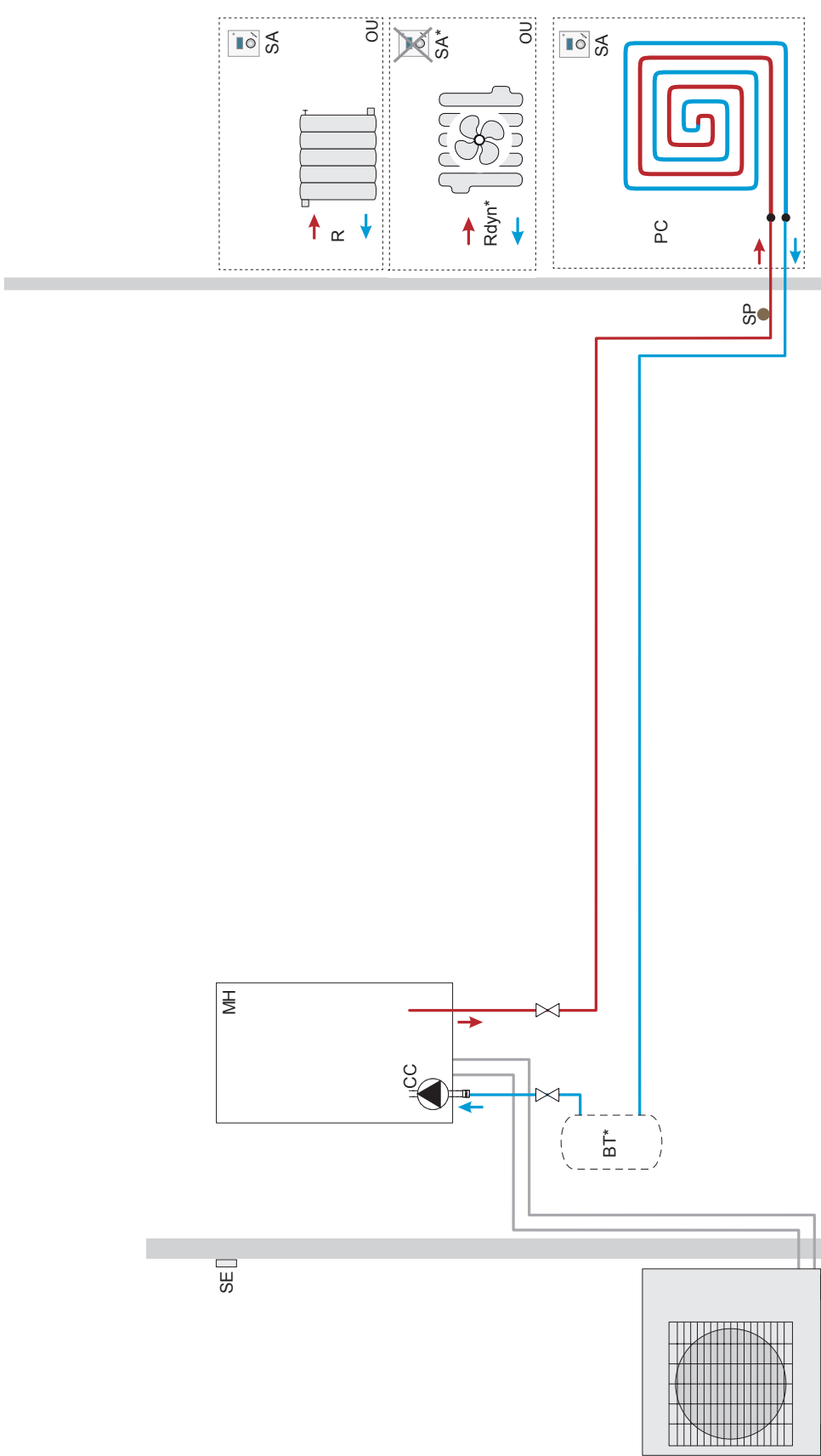
► Availables flow and pressure



► Overall hydraulic layout

Model 1 service

■ Configuration : one heating circuit



Key:

BT* - Buffer tank (depending on water volume: see *Manual*)

CC - Heating circulation pump

EB - Electrical backup

MH - Hydraulic unit

PC - Underfloor heating system

R - Radiator

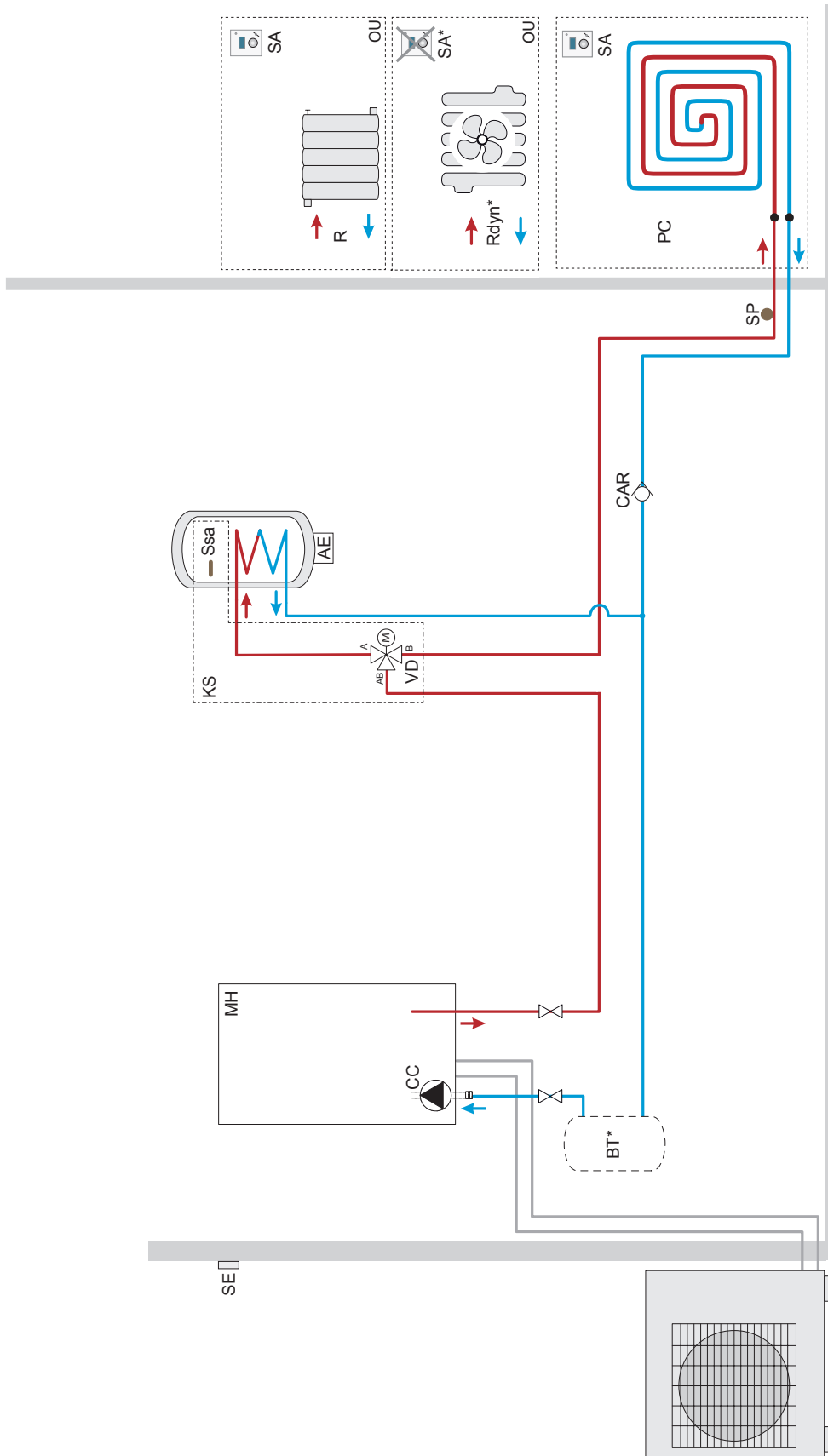
Rdyn* - Dynamic radiator

SA* - Room sensor (option/ except with Rdyn)

SE - Outside sensor

SP - Heated floor thermal safety fuse

■ Configuration : one heating circuit and DHW tank



Key:

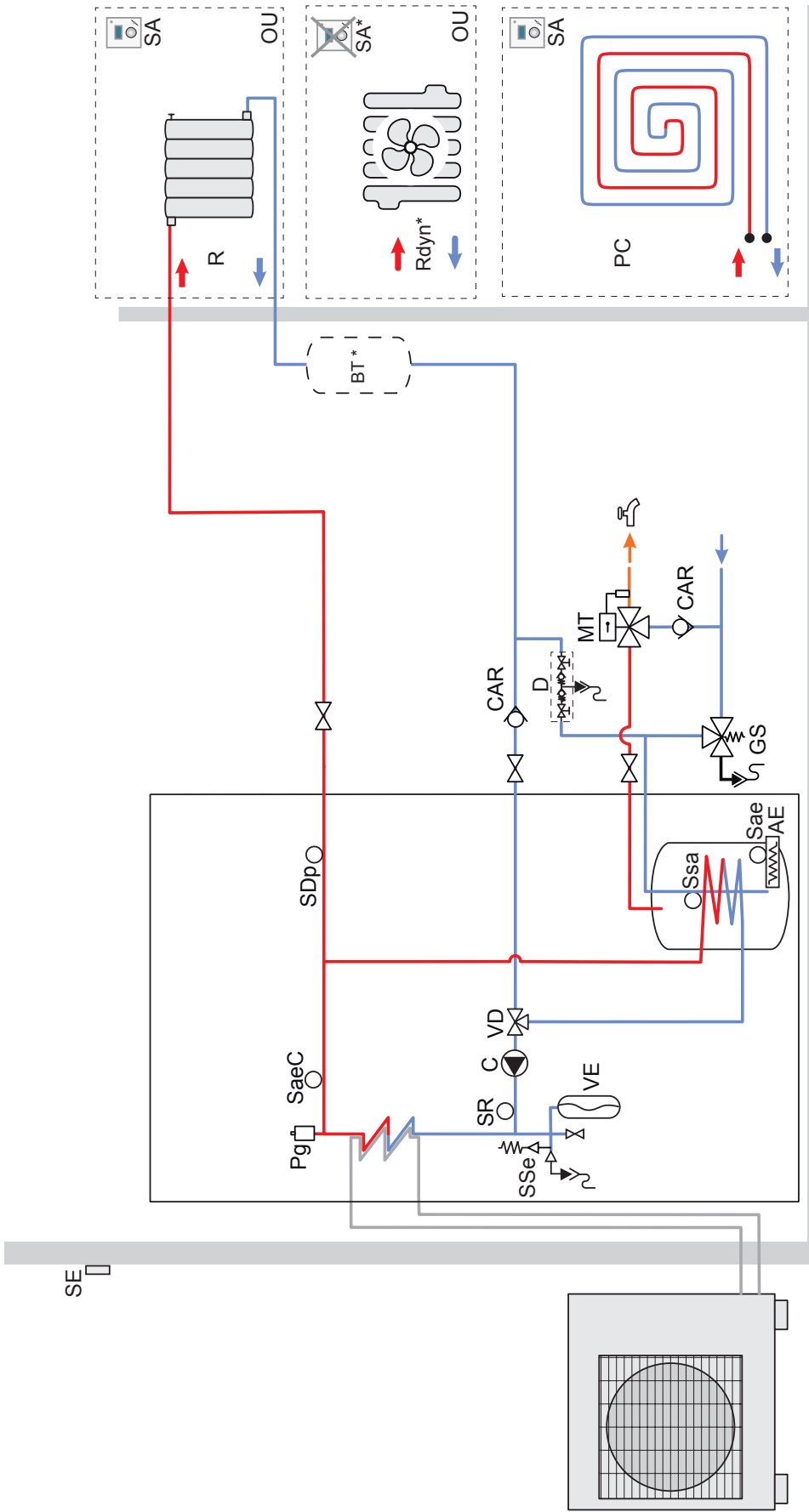
EB - Electrical backup
BT* - Buffer tank (depending on water volume: see *manual*)
CAR - Non-return valve
CC - Heating circulation pump
KS - DHW kit

MH - Hydraulic unit
PC - Underfloor heating system
R - Radiator
Rdyn* - Dynamic radiator
SA* - Room sensor (option/ except with Rdyn)

SSa - Hot water sensor
SE - Outside sensor
SP - Heated floor thermal safety fuse
VD - Distribution valve

Model 2 services

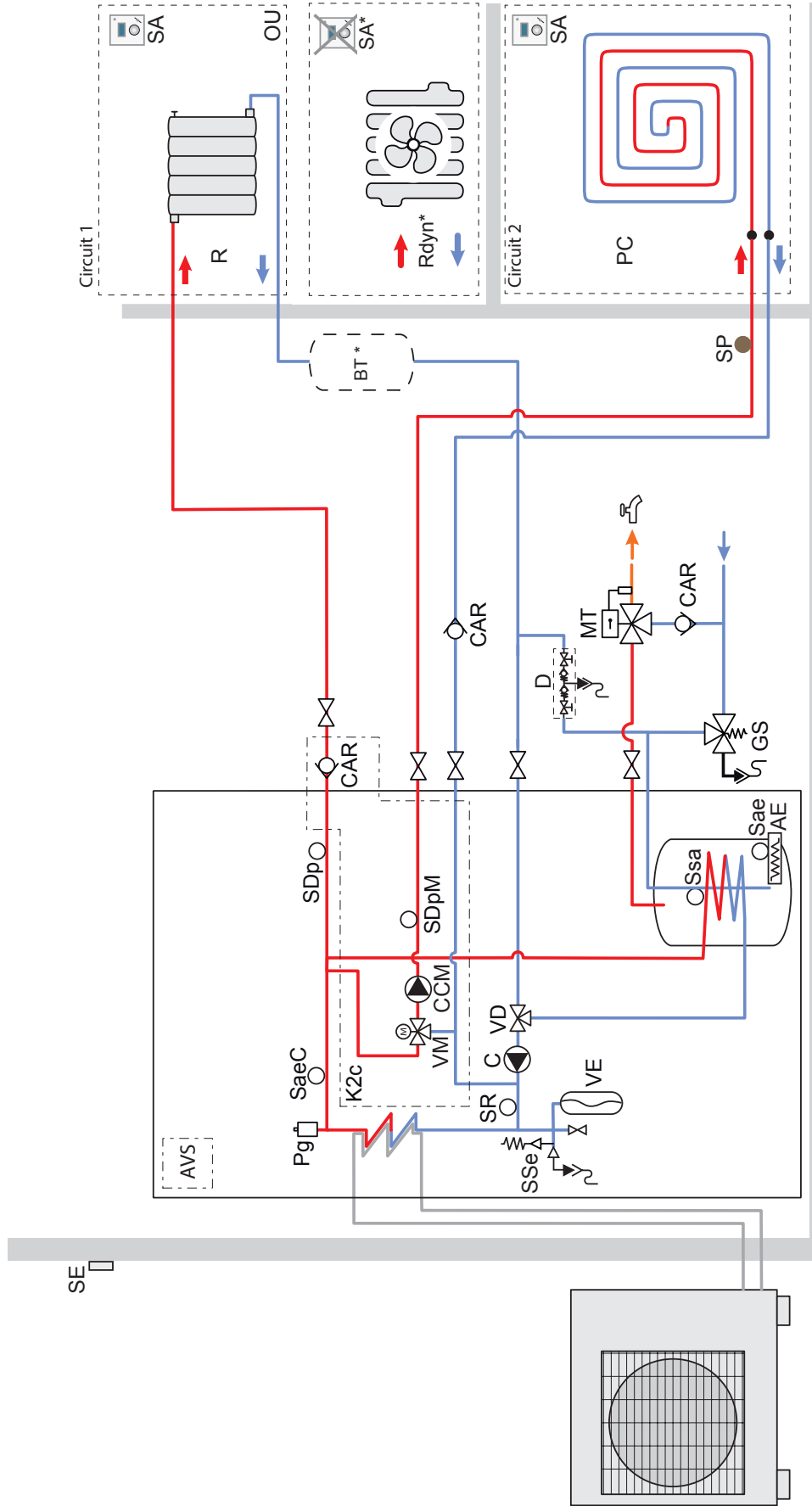
■ Configuration : one heating circuit



Key :

AE - Electrical backup	SA - Room sensor (optional)	SR - Return sensor
BT* - Buffer tank (depending on water volume (see "Volume of the heating system" on the manual))	Sae - DHW electrical backup safety thermostat	Ssa - DHW sensor
CAR - Non-return valve	SaeC - Safety thermostat (heating backup option)	SSe - Safety valve
C - HP circulation pump	SDp - HP flow sensor	VD - Distribution valve
CCM - Mixed circuit circulation pump	SE - Outside sensor	VE - Expansion vessel
D - Shut-off		
GS - Safety valve (mandatory)		
MT - Thermostatic mixing valve		
PC - Underfloor heating system		
Pg - Bleeder valve		
R - Radiators		

■ Configuration : two heating circuits



Key :

- AE - Electrical backup
- AVS - Extension board, 2 circuits
- BT* - Buffer tank (depending on water volume (see : "Volume of the heating system", on the manual)
- CAR - Non-return valve
- C - HP circulation pump
- CCM - Mixed circuit circulation pump
- D - Shut-off
- GS - Safety valve (mandatory)
- K2c - 2 circuit kit
- MT - Thermostatic mixing valve
- PC - Underfloor heating system
- Pg - Bleeder valve
- R - Radiators
- SA - Room sensor (optional)
- Sae - DHW electrical backup safety thermostat (option)
- SaeC - Safety thermostat (heating backup option)
- SDp - HP flow sensor
- SDpM - Mixed circuit flow sensor
- SE - Outside sensor
- Ssa - DHW sensor
- SSe - Safety valve
- VD - Distribution valve
- VE - Expansion vessel
- VM - Circuit mixer valve
- SP - Heated floor safety fuse
- SR - Return sensor
- Ssa - DHW sensor
- SSe - Safety valve
- VD - Distribution valve
- VE - Expansion vessel
- VM - Circuit mixer valve

Options

Function	Name	Reference
Regulation-Hydraulic	Navilink A59	074 208
	Navilink A75	074 213
	Navilink A78	074 214
	A.I. Cozytouch kit	501 000
	Alféa HP 1S 2 Zones kit	500 097
	A.I Cooling kit	075 328
	Connection kit Alféa HP	072 887
	Alféa DHW kit	073 991
	Bottle decoupling	073 957
Buffer tank	BT 25	700 436
	BT 50	700 437
Other	High flow rate circulating pump kit ⁽¹⁾	074 077
Accessories for outdoor unit	Anti-vibration blocks (x 4)	523 574
	Wall bracket 600 mm (x 2)	809 536
	Raised floor support (available 2nd semester 2018)	072 889
	Heater for drain pan	809 644
	Alféa HP drain pan (available 2nd semester 2018)	072 888
Refrigerant pipes ⁽²⁾	KM1 5M 5/8"-3/8"	809 565
	KM1 7M 5/8"-3/8"	809 567
	KM1 10M 5/8"-3/8"	809 570
	KM1 25M 5/8"-3/8"	809 575
Protection pipes for refrigerant pipes	GO 80x60 (8 lg. de 2 m)	809 709
	GO 80x60 (2 lg. de 2 m)	809 716
	CGO 80x60 (x5)	809 723
	PMC 80x60 (x5)	809 729

⁽¹⁾ High flow rate circulating pump kit incompatible with 2 zones kit.

⁽²⁾ For better protection of isolant against UV, Atlantic recommend install protection pipes with the refrigerant pipes.



A series of horizontal dotted lines spanning the width of the page, providing a guide for handwriting practice.



A series of horizontal dotted lines spanning the width of the page, providing a guide for handwriting practice.



This equipment complies with:

- Low Voltage Directive 2014/35/EC in accordance with NF EN 60335-1, NF EN 60335-2-40, NF EN 60529, NF EN 60529/A2 (IP) standards,
- Electromechanical Compatibility Directive 2014/30/EC,
- Machines Directive 2006/42/EC,
- Pressure Equipment Directive 2014/68/EC in accordance with NF EN 378-2 standard,
- Ecodesign Directive 2009/125/EC and regulation (EU) No 813/2013,
- regulation (EU) 2017/1369 setting a framework for energy labelling and regulation (EU) No 811/2013.

This appliance also complies with:

- Decree No. 92-1271 (and its modifications) relating to certain refrigeration fluids used in refrigeration and air conditioning equipment.
- Regulation 517/2014 of the European Parliament on certain fluorinated greenhouse gases.
- Standards relating to the product and testing methods used: Air-conditioners, liquid chiller units and heat pumps with a compressor driven by an electric motor for heating and refrigeration EN 14511-1, EN 14511-2, EN 14511-3, EN 14511-4, EN 14825.
- EN 12102-1 standard: determination of the sound power level



This appliance is marked with this symbol. It means that all electrical and electronic products must be strictly separated from household waste.

A specific recovery system for this type of product is in place in the countries of the European Union (*), Norway, Iceland and Liechtenstein.

Do not attempt to dismantle this product yourself. This can have adverse effects on your health and on the environment.

Refrigerant liquid, oil and other parts must be reprocessed by a qualified installer in accordance with applicable local and national laws.

In terms of recycling, this appliance must be processed by a specialised service and must not, under any circumstances, be thrown out with household waste, bulky waste or at a tip.

Please contact your heating engineer or After Sales service for further information.

* Depending on the national regulations of each member state.